

Service
Service
Service

For Service Manuals Contact
MAURITRON TECHNICAL SERVICES
8 Cherry Tree Rd, Chinnor
Oxon OX9 4QY
Tel: 01844-351694 Fax: 01844-352554
Email: enquiries@mauritron.co.uk

FL1.6

AA

92.02

Service Information

(GB)

Sets overview

In this service information an overview is given of all sets with the FL1.6 chassis and corresponding panels. Where available the service numbers of all panels has been given.

(D)

Geräte Übersicht

Diese Service-Infomation gibt eine Übersicht über alle Geräte mit dem FL1.6 Chassis und den dazugehörigen Platinen. Von allen Platinen ist, falls vorhanden, die Servicenummer genannt.

(I)

Elenco gli apparecchi

Queste informazioni di servizio includono un elenco di tutti gli apparecchi con il chassis FL1.6 e relative platine. Di tutte le platine è indicato il numero di servizio, se disponibile.

(NL)

Apparaten overzicht

In deze service informatie is een overzicht gegeven van alle apparaten met het FL1.6 chassis en de bijbehorende panelen. Van alle panelen is, indien beschikbaar, het service nummer gegeven.

(F)

Tableau les appareils

Dans cette information de service, est donné un tableau de tous les appareils avec châssis FL1.6 et les platines correspondantes. Un numéro de service est éventuellement attribué à toutes les platines.

Includes 25ML8500/05B
(Plus many others)

Service
Service
Service

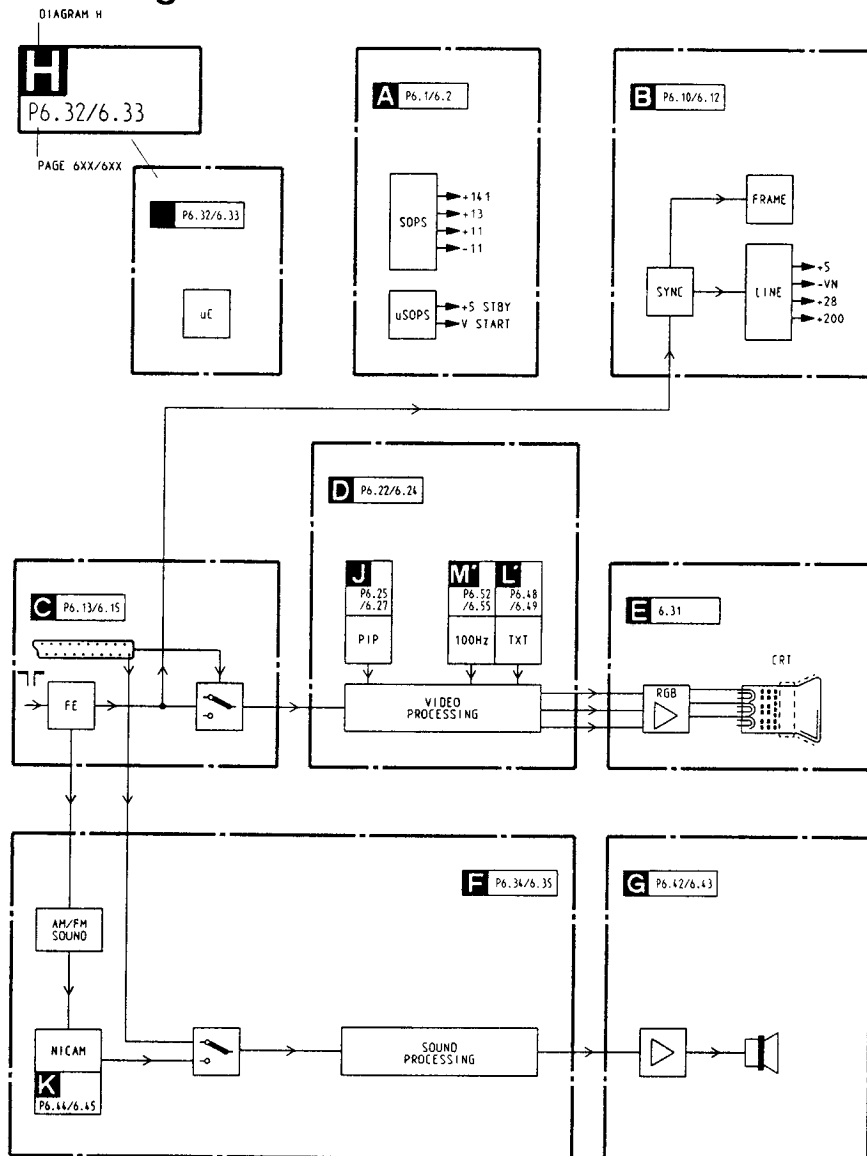
FL 1.6
AA

For Service Manuals Contact
MAURITRON TECHNICAL SERVICES
8 Cherry Tree Rd, Chinnor
Oxon OX9 4QY
Tel: 01844-351694 Fax: 01844-352554
Email: enquiries@mauritron.co.uk

Service Manual

Table of contents	Page
1. Block diagram and technical data	1.2
2. Connection facilities	2.1
3. Warnings and notes	3.1
4. Mechanical instructions	4.1
5. Detailed block diagram	5.1
6. Electrical diagrams and PCB layouts	
Power supply (Diagram A)	6.1
Field and line output stage (Diagram B)	6.10
Tuner, Source selection (Diagram C)	6.13
Video processing (Diagram D)	6.22
PIP module (Diagram J)	6.25
Picture tube panel (Diagram E)	6.31
Operation (Diagram H)	6.32
Sound processing (Diagram F)	6.34
Sound output amplifier (Diagram G)	6.42
NICAM module (Diagram K)	6.44
LFR box (Diagram L)	6.48
LFR box (Diagram M)	6.52
Y/C Detector (Diagram I)	6.57
7. Electrical settings	7.1
8. List of error messages and repair tips	8.1
9. List of menus	9.1
10. Electrical parts lists	10.1

1.2 CHASSIS FL1.6 Block diagram



Technical data

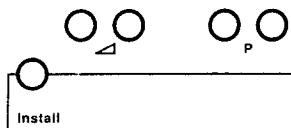
Mains voltage	: 220 - 240 V (± 10%)
	: 50 Hz - 60 Hz (± 5%)
Aerial input impedance	: 75 Ω - coaxial
Minimum aerial voltage	: 30 μV (VHF), 40 μV (UHF)
Maximum aerial voltage VHF/S/UHF	: 180 mV
Pull-in range colour synchronization	: +300 Hz/-300 Hz
Pull-in range horizontal synchronization	: +200 Hz/-300Hz

Programmes	: PRO-PR59
VCR programmes	: PRO, 00, 50 - 59

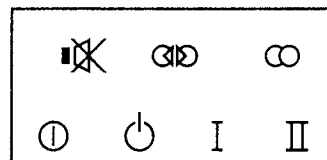
Local operation functions:

Indications:

- On Screen Display (OSD)
- LED:



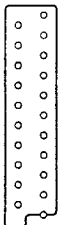
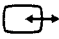
CL 26532055/021
040592



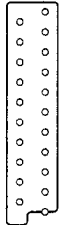
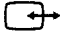
CL 26532055/022
040592

1. Specification of the connectors


EXT1 (AUX)

	1 -Audio	↻	R(0,5V RMS ≤ 1kΩ)
	2 -Audio	⊖	R(0,5V RMS ≥ 10kΩ)
	3 -Audio	↻	L(0,5V RMS ≤ 1kΩ)
	4 -Audio	⊥	
	5 -Blue	⊥	
	6 -Audio	⊖	L(0,5V RMS ≥ 10kΩ)
	7 -Blue		(0,7V _{pp} /75Ω)
	8 -CVBS-status	⊖	0-2V: int 4,5-7V: ext 16:9 9,5-12V: ext 4:3
	9 -Green	⊥	
	10 --		
	11 -Green		(0,7V _{pp} /75Ω)
	12 --		
	13 -Red	⊥	
	14 -RGB-status	⊥	
	15 -Red		(0,7V _{pp} /75Ω)
	16 -RGB-status		(0-0,4V: int. 1-3V ext. 75Ω)
	17 -CVBS	⊥	
	18 -CVBS	⊥	
	19 -CVBS	↻	(1V _{pp} /75Ω)
	20 -CVBS	⊖	(1V _{pp} /75Ω)
	21 -Earthscreens		

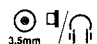
EXT2 (VCR)

	1 -Audio	↻	R(0,5V RMS ≤ 1kΩ)
	2 -Audio	⊖	R(0,5V RMS ≥ 10kΩ)
	3 -Audio	↻	L(0,5V RMS ≤ 1kΩ)
	4 -Audio	⊥	
	5 -		
	6 -Audio	⊖	L(0,5V RMS ≥ 10kΩ)
	7 --		
	8 -CVBS-status	⊖	0-2V: int 4,5-7V: ext 16:9 9,5-12V: ext 4:3
	9 --		
	10 --		
	11 --		
	12 --		
	13 --		
	14 --		
	15 -C	⊖	(0,3V _{pp} /75Ω)
	16 --		
	17 -CVBS	⊥	
	18 -CVBS	⊥	
	19 -CVBS	⊖	(1V _{pp} /75Ω)
	20 -Y	⊖	(1V _{pp} /75Ω)
	21 -Earthscreens		

EXT3 (front)

SVHS	1 -	⊥
	2 -	⊥
	3 - Y	⊖ (1V _{pp} ; 75Ω)
	4 - C	⊖ (0,3V _{pp} ; 75Ω)

- ⊙ CINCH Video ⊖ 300mV_{pp}/75Ω
- ⊙ CINCH Audio ⊖ L(0,2 - 2V RMS; ≥ 10kΩ)
- ⊙ CINCH Audio ⊖ R(0,2 - 2V RMS; ≥ 10kΩ)


 32-2000Ω ≥ 10mW

Audio out (rear)


- ⊙ CINCH Audio ↻ L(0,5V RMS; ≤ 1kΩ)
- ⊙ CINCH Audio ↻ R(0,5V RMS; ≤ 1kΩ)

 front : 2 x 16W / 8Ω
rear : 2 x 6W / 8Ω

EXT2 (SVHS) (rear)

SVHS	1 -	⊥
	2 -	⊥
	3 - Y	⊖ (1V _{pp} ; 75Ω)
	4 - C	⊖ (0,3V _{pp} ; 75Ω)

- ⊙ CINCH Audio ⊖ L(0,2 - 2V RMS; ≥ 10kΩ)
- ⊙ CINCH Audio ⊖ R(0,2 - 2V RMS; ≥ 10kΩ)

SVHS	1 -	⊥
	2 -	⊥
	3 - Y	↻ (1V _{pp} ; 75Ω)
	4 - C	↻ (0,3V _{pp} ; 75Ω)

- ⊙ CINCH Audio ↻ L(0,2 - 2V RMS; ≤ 1kΩ)
- ⊙ CINCH Audio ↻ R(0,2 - 2V RMS; ≤ 1kΩ)

2.2 CHASSIS FL1.6 Connection facilities

2. Connection of equipment

When an SVHS source is connected to EXT2'(SVHS) or EXT3 (SVHS) the CVBS at these inputs is switched off. To reproduce the CVBS signal from these inputs, the particular SVHS plug must first be removed.

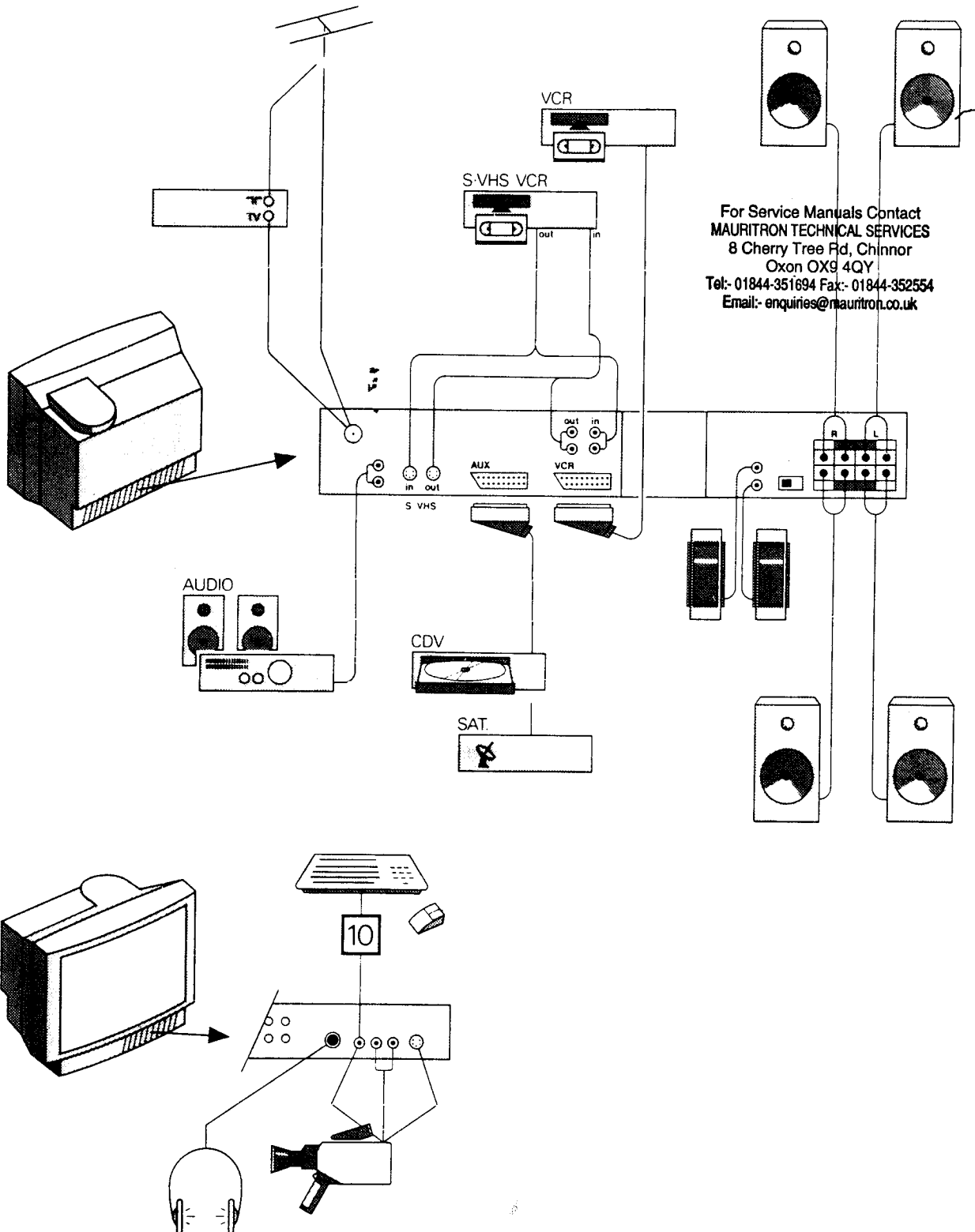


Fig. 2.1

Warnings

1. Safety regulations require that the unit should be returned in its original condition and that components identical to the original components are used. The safety components are indicated by the symbol ▲
2. In order to prevent damage to ICs and transistors, all high-voltage flashovers must be avoided. In order to prevent damage to the picture tube, the method shown in Fig. 3.1 should be used to discharge the picture tube. Use a high-voltage probe and a multimeter (position DC-V). Discharge until the meter reading is 0V (after approx. 30s).

3. ESD ▲

- All ICs and many other semiconductors are sensitive to electrostatic discharges (ESD). Careless handling during repair can drastically shorten the life. Make sure that during repair you are connected by a pulse band with resistance to the same potential as the earth of the unit. Keep components and tools also at this same potential.
4. When repairing a unit, always connect it to the mains voltage via an isolating transformer.
 5. Be careful when taking measurements in the high-voltage section and on the picture tube.
 6. Never replace modules or other components while the unit is switched on.
 7. It is recommended that safety goggles are worn when replacing the picture tube.
 8. When making settings, use plastic rather than metal tools. This will prevent any short circuits and the danger of a circuit becoming unstable.
 9. After repair the wiring should be fastened once more in the cable clamps for this purpose.
 10. In order to prevent measuring errors, the heat sinks should not be used as reference points for measurements. **The heat sink for the sound output amplifier (next to the channel selector) is connected to the -11 volts.**
 11. On this unit the 140 volt supply voltage is not supplied via an interconnection on the deflection yoke to the line output transformer. When the deflection cable is detached, the +140 volt supply remains loaded. In order to unload the +140 volts, coil 5511 should be removed.
 12. Together with the deflection unit and any multipole unit, the flat square picture tubes used form an integrated unit. The deflection and the multipole units are set optimally at the factory. Adjustment of this unit during repair is therefore not recommended.

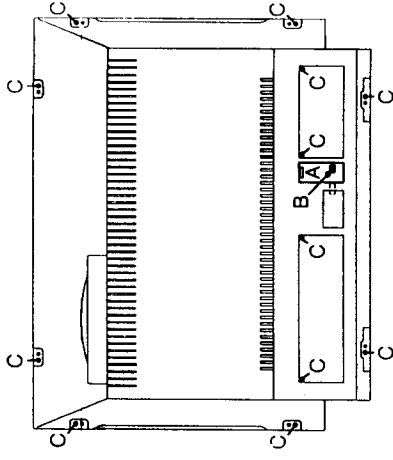
Notes

1. The direct voltages and oscillograms should be measured with regard to the tuner earth (⊥), or hot earth (⊥ f) as this is called.
2. The direct voltages and oscillograms shown in the diagrams should be measured in the **Service Default Mode** (see chapter 8) with a colour bar signal and stereo sound (L: 3 kHz, R: 1 kHz unless stated otherwise) and picture carrier at 475.25 MHz.
3. Where necessary, the oscillograms and direct voltages are measured with (⊥ f) and without aerial signal (⊥) Voltages in the power supply section are measured both for normal operation (⊙) and in standby (⊕). These values are indicated by means of the appropriate symbols.
4. The picture tube PCB has printed spark gaps. Each spark gap is connected between an electrode of the picture tube and the Aquadag coating.
5. The semiconductors indicated in the circuit diagram and in the parts lists are completely interchangeable per position with the semiconductors in the unit, irrespective of the type indication on these semiconductors.
6. The connectors used for the modules (board to board) are gold-plated and should only be replaced by the same type.
7. In the case of error searching and/or repair to the PIP module, the accessibility of the circuit and the components can be increased by using extension cards.
 * 5 times: 4822 395 30261
 * 10 times: 4822 395 30257

4.1 CHASSIS FL1.6 3.1

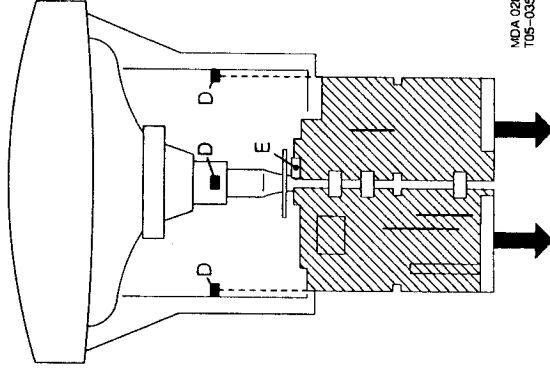
4.1 CHASSIS FL1.6 Mechanical instructions

1. **Removing the back plate** (Fig. 4.1)
 Remove cover A from the back plate.
 Remove connector B (LI36) of the subwoofer.
 Remove attachment screws C from the back plate.
 Remove the back plate with the subwoofer fitted in it. Attach the back plate by carrying out the above in the reverse order.
2. **Service position to measure test points** (Fig. 4.2)
 Unlock the chassis panels by pressing locks D. Pull both chassis panels backwards at the same time until all measuring points are accessible.
3. **Service position for repair** (Fig. 4.3)
 Remove the LED display E (see Fig. 4.3) of the large signal panel.
 Tilt the back of the two panels and attach both panels using brackets F situated on the underside of the small signal panel, at an angle of 90° to one another.



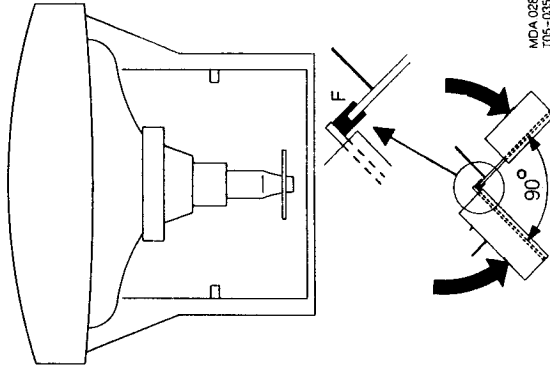
MDA 02803
T05-035

Fig. 4.1



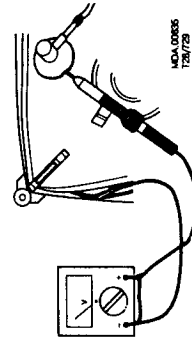
MDA 02801
T05-035

Fig. 4.2



MDA 02802
T05-035

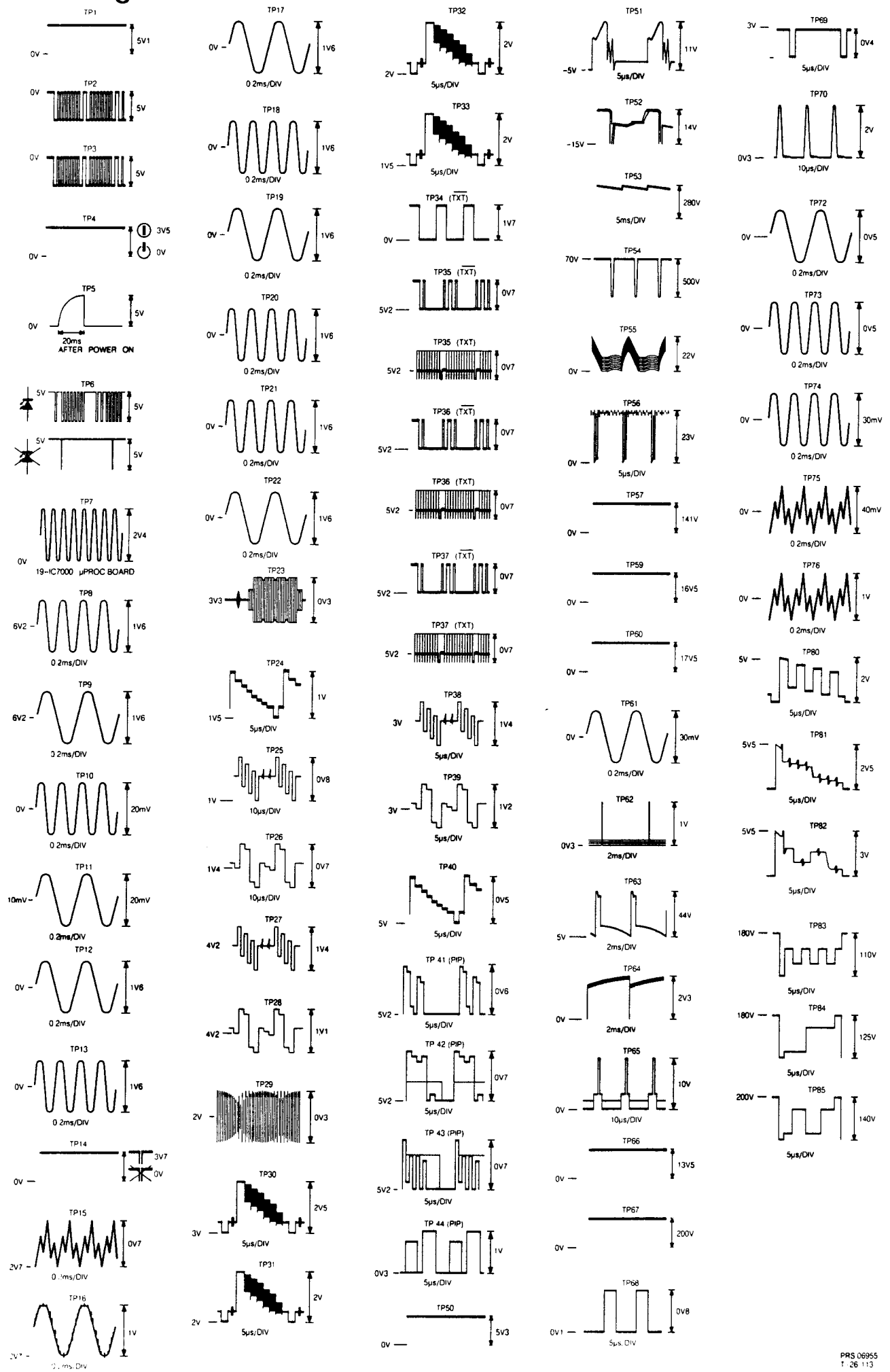
Fig. 4.3



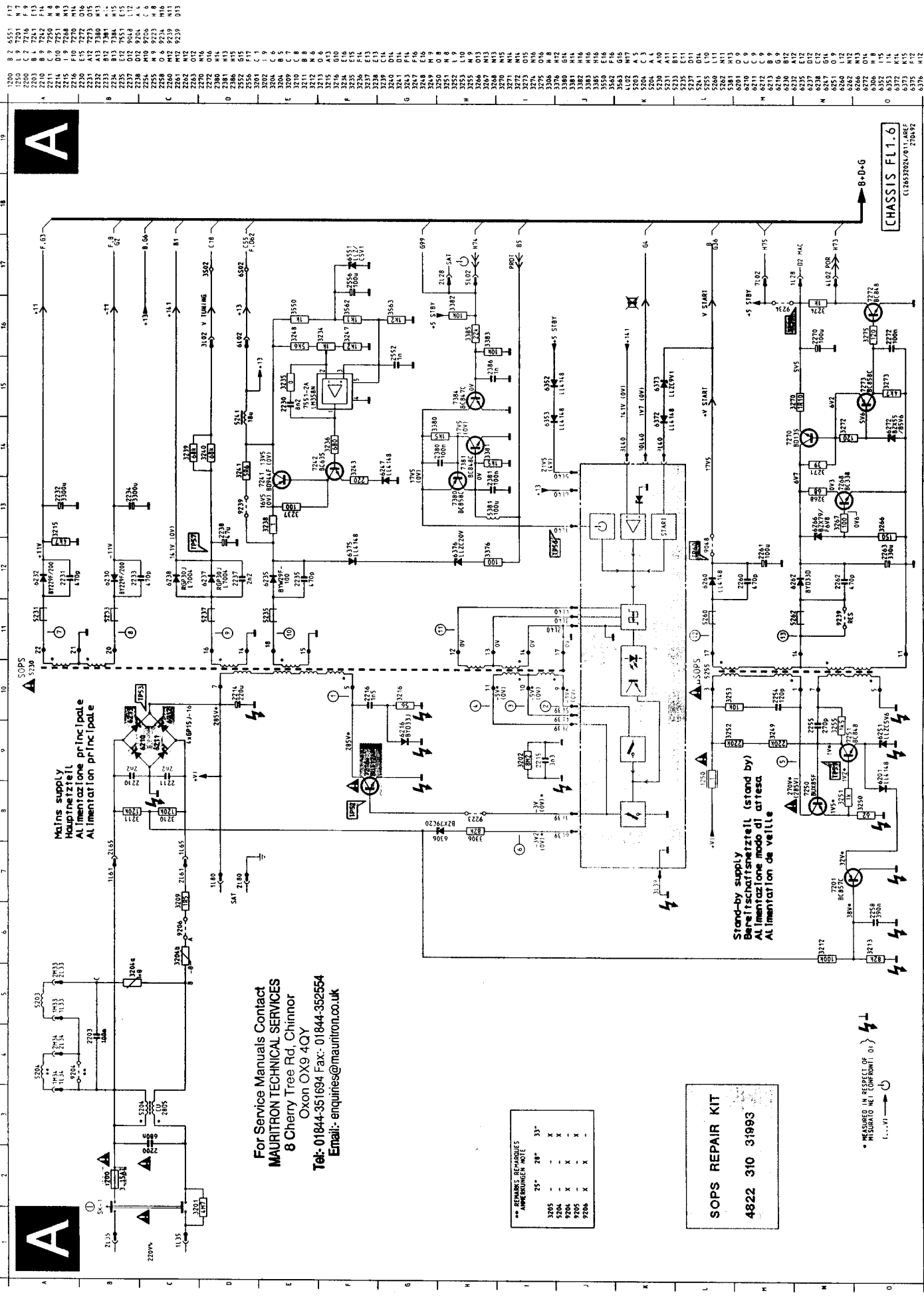
MDA 02806
T24/72

Fig. 3.1

Oscillograms



PRS 06955
F.26.113



For Service Manuals Contact
MAURITRON TECHNICAL SERVICES
 8 Cherry Tree Rd, Chinnor
 Oxon OX9 4QY
 Tel: 01844-351694 Fax: 01844-352554
 Email: enquiries@mauritron.co.uk

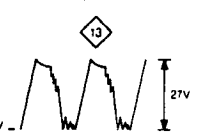
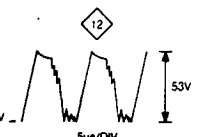
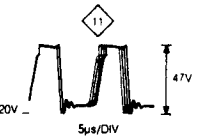
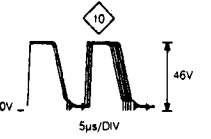
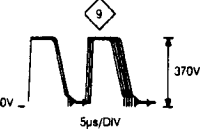
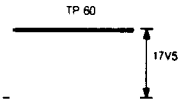
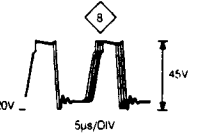
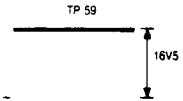
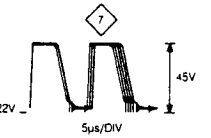
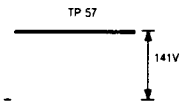
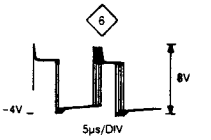
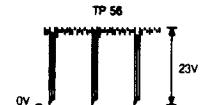
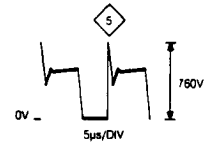
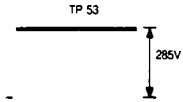
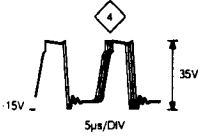
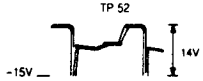
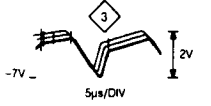
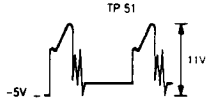
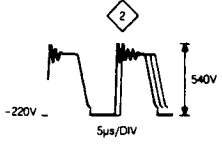
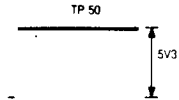
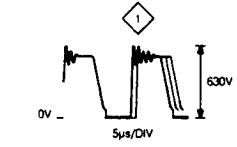
*** REMARQUE TECHNIQUE
 ANMERKUNGEN NOTE

205	25"	33"
206	X	X
207	X	X
208	X	X
209	X	X
210	X	X

SOPS REPAIR KIT
 4822 310 31993

MEASURED IN RESPECT OF
 MISURATO NEI CONFRONTI DI

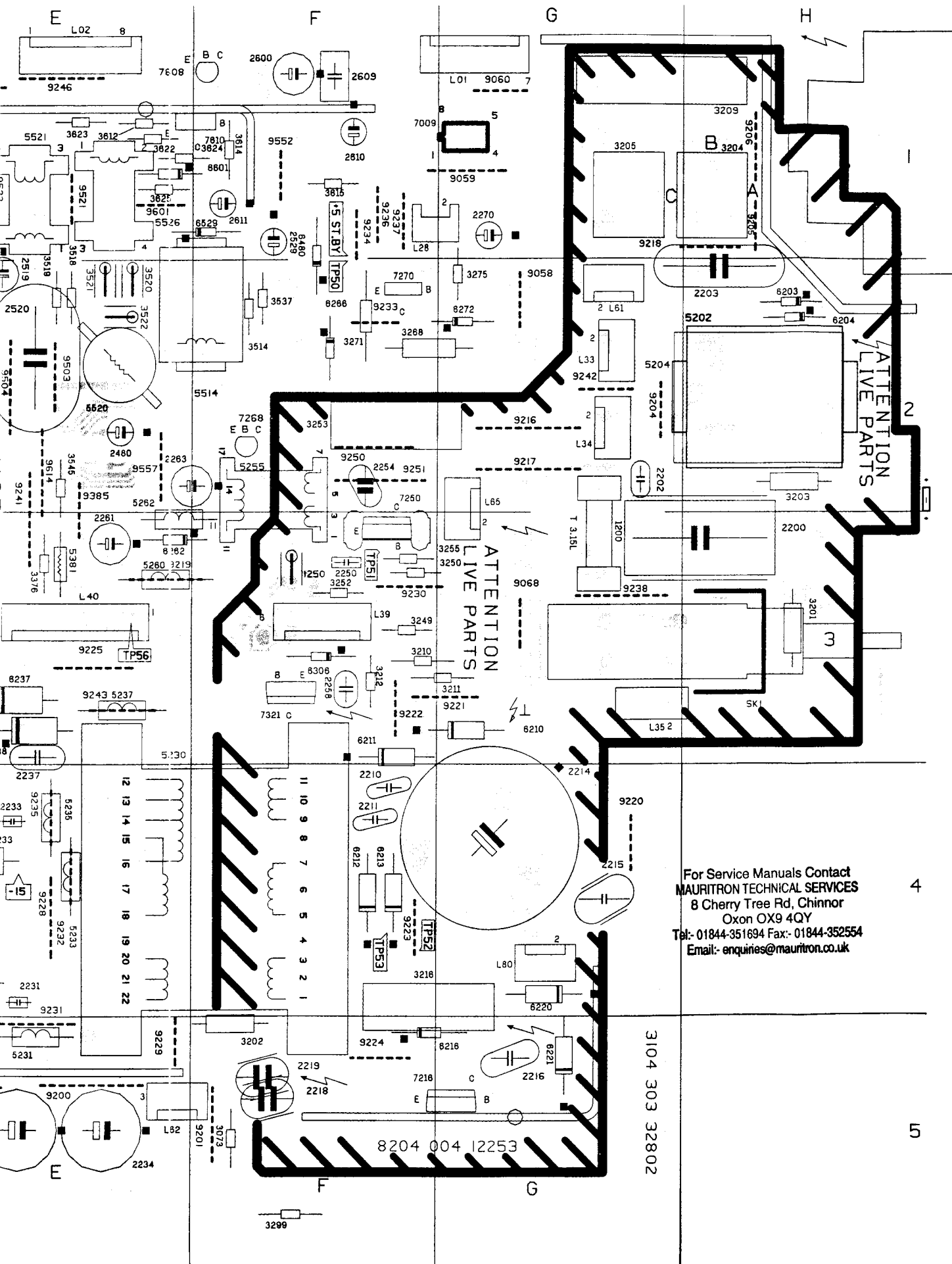
6.3 CHASSIS FL1.6



PRS 06958
T-26/113

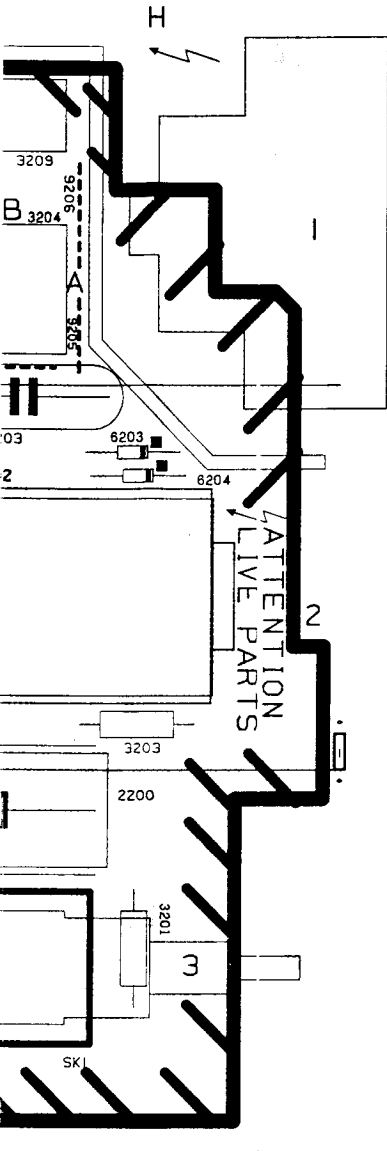
For Service Manuals Contact
MAURITRON TECHNICAL SERVICES
 8 Cherry Tree Rd, Chinnor
 Oxon OX9 4QY
 Tel: 01844-351694 Fax: 01844-352554
 Email: enquiries@mauritron.co.uk

ASSIS FL1.6 Platine forts signaux



4

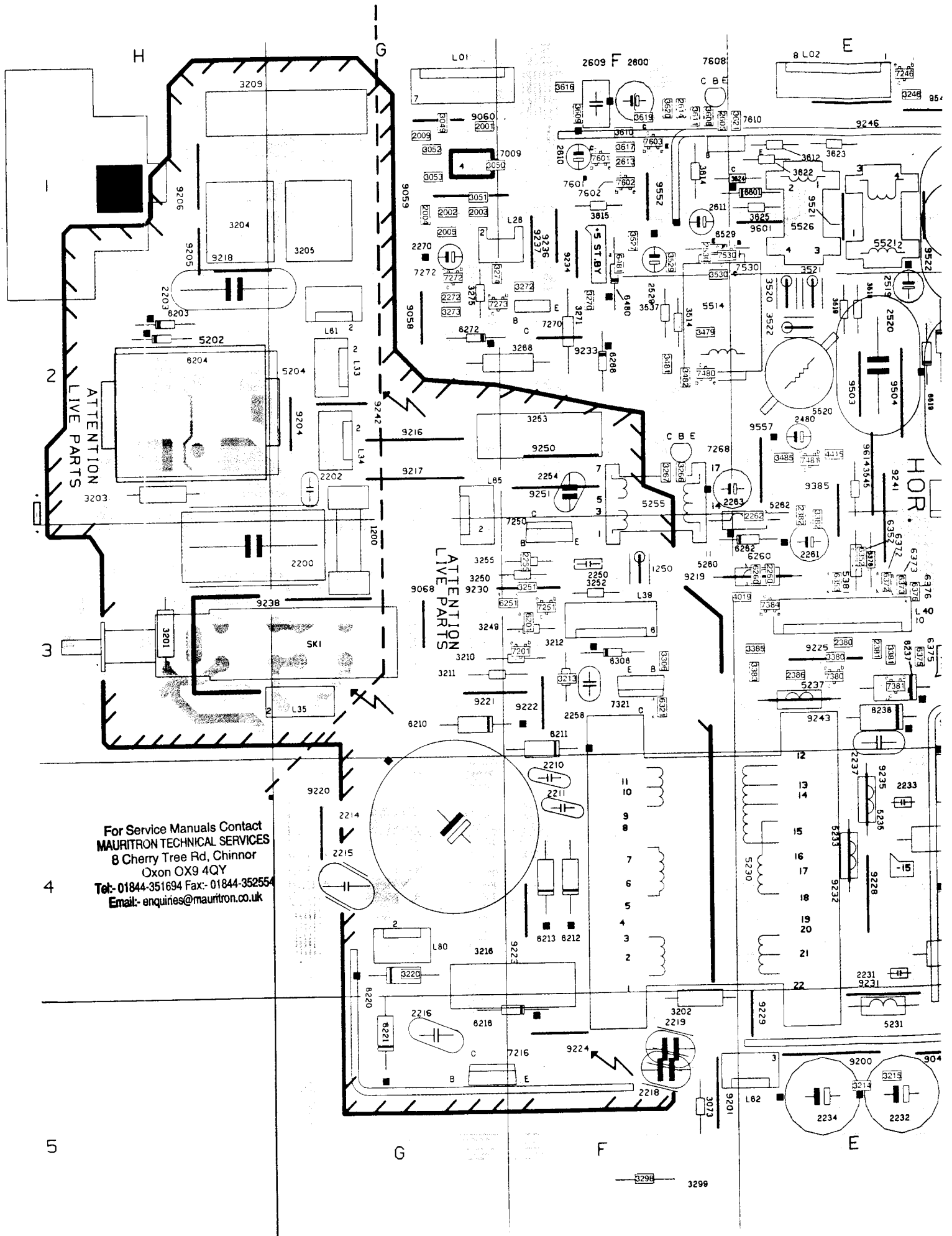
5



4

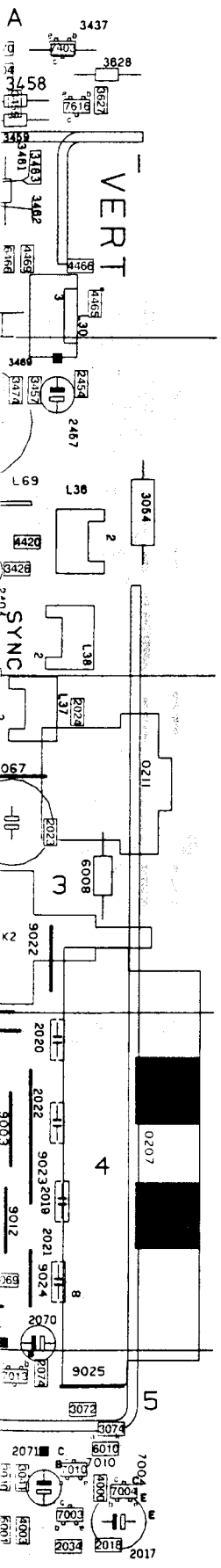
5

L01 F1	2502 B2	3429 B3	5527 C1	9026 A4	9468 B3
L02 E1	2503 B2	3431 B3	5528 C2	9027 A5	9471 B2
L03 A1	2504 D1	3437 A1	5534 D3	9028 A5	9472 A2
L08 C4	2505 D1	3438 B2	5536 D3	9029 B5	9473 B2
L13 C4	2509 D2	3439 B3	5543 D4	9031 C4	9500 D2
L27 B3	2511 C2	3458 A1	5548 D1	9032 C5	9501 D2
L28 G1	2512 C3	3459 A1	5555 D3	9033 C5	9503 E2
L30 A1	2513 C3	3460 B1	6008 A3	9034 C5	9504 E2
L31 E2	2517 C3	3461 A1	6203 H2	9035 A4	9505 C1
L33 G2	2518 C3	3462 A1	6204 H2	9036 A4	9508 D1
L34 G2	2519 E2	3463 A1	6210 G3	9037 B3	9507 C2
L35 G3	2520 E2	3464 A1	6211 F3	9038 B3	9508 B2
L36 A2	2521 D1	3466 A1	6212 F4	9041 C4	9510 D2
L37 A3	2522 D1	3467 B2	6213 F4	9042 C4	9511 C2
L38 A2	2523 C1	3468 A1	6216 F5	9043 D5	9513 D1
L39 F3	2524 D1	3469 A1	6220 G4	9044 A5	9521 E1
L40 E3	2525 D2	3473 B1	6221 G5	9045 D4	9522 E1
L61 G2	2526 C1	3480 B1	6230 E4	9046 D4	9524 D1
L62 E5	2527 C1	3500 B2	6231 E4	9047 E5	9530 B2
L65 G2	2529 F1	3502 B1	6232 E4	9048 D4	9533 C2
L67 D4	2531 D3	3503 B2	6233 E4	9050 A4	9534 C2
L68 C3	2533 D3	3504 D1	6236 D3	9051 D4	9536 C3
L69 A2	2534 D3	3506 D1	6237 E3	9052 D4	9537 C3
L80 G4	2535 C4	3506 C1	6238 E3	9053 D6	9539 C3
L87 B2	2536 D3	3507 D1	6262 E3	9054 D4	9541 D2
SK1 G3	2537 D3	3508 C2	6266 F2	9055 A4	9542 C2
SK2 B3	2541 C4	3509 C2	6272 G2	9056 A3	9543 C2
0207 A4	2542 C4	3510 D1	6280 C4	9057 C5	9544 D1
0211 A3	2543 C4	3513 C3	6308 F3	9058 G2	9545 C1
1200 G3	2564 C4	3514 F2	6451 B1	9059 G1	9547 D1
1250 F3	2568 B4	3515 C2	6452 B1	9060 G1	9548 D1
2015 A3	2800 F1	3516 C2	6453 B1	9064 B5	9549 E1
2016 A3	2809 F1	3517 C2	6480 F1	9065 B4	9550 C1
2017 A5	2610 F1	3518 E2	6504 D1	9066 B5	9551 C1
2019 A4	2811 F1	3519 E2	6506 C1	9067 A3	9552 F1
2020 A4	3002 B5	3520 E2	6515 C3	9068 G3	9555 D1
2021 A4	3003 B5	3521 E2	6516 C3	9200 E5	9556 C1
2022 A4	3013 D4	3522 E2	6517 C3	9201 F5	9557 E2
2025 C5	3014 D4	3524 D1	6519 E2	9202 D3	9560 D3
2033 D5	3016 B5	3526 C1	6520 E2	9203 D4	9561 D3
2050 C5	3019 B5	3528 D3	6526 C1	9204 G2	9562 C3
2051 C5	3020 B5	3532 C3	6527 C1	9206 H1	9563 C3
2052 D6	3021 B5	3533 C3	6529 F1	9206 H1	9565 B4
2053 D5	3022 B5	3534 D3	6535 D3	9216 G2	9566 D3
2070 A4	3033 D4	3536 D3	6536 C3	9217 G2	9567 D3
2071 A5	3054 A2	3536 D3	6542 C4	9218 H1	9601 E1
2072 D4	3067 A4	3537 F2	6547 D3	9219 E3	9614 E2
2073 D4	3068 A4	3538 D3	6601 E1	9220 G4	9615 B2
2200 H3	3073 F5	3539 D1	7000 C5	9221 G3	
2202 G2	3201 H3	3540 C4	7001 D5	9222 F3	
2203 H2	3202 F5	3541 C4	7002 C5	9223 F4	
2210 F4	3203 H2	3545 E2	7009 G1	9224 F5	
2211 F4	3204 H1	3553 B4	7011 B5	9225 E3	
2214 G4	3205 G1	3558 B3	7216 G5	9228 E4	
2215 G4	3209 G1	3560 C3	7241 B4	9229 E5	
2216 G5	3210 F3	3602 B2	7242 B4	9230 F3	
2218 F5	3211 G3	3607 B2	7260 F3	9231 E5	
2219 F5	3212 F3	3612 E1	7268 F2	9232 E4	
2231 E4	3216 F4	3614 F1	7270 F2	9233 F2	
2232 E5	3234 B4	3615 F1	7321 F3	9234 F1	
2233 E4	3238 C4	3622 E1	7400 B3	9235 E4	
2234 E5	3239 D3	3623 E1	7450 A1	9236 F1	
2236 D3	3240 E3	3624 E1	7469 B2	9237 F1	
2236 D4	3241 B4	3625 E1	7501 B2	9238 G3	
2237 E3	3243 B4	3626 B2	7504 D1	9239 B4	
2238 D4	3249 F3	3628 A1	7506 D1	9240 B4	
2240 D4	3250 F3	6204 H2	7512 C3	9241 E3	
2241 B4	3252 F3	5230 F4	7513 C3	9242 G2	
2250 F3	3253 F2	5231 E5	7550 D3	9243 E3	
2254 F2	3255 F3	5233 E4	7551 B4	9244 B4	
2258 F3	3268 F2	5235 E4	7552 B4	9246 E1	
2261 E3	3271 F2	5237 E3	7608 F1	9250 F2	
2263 E2	3276 G2	5241 C4	7610 E1	9251 F2	
2270 G1	3299 F5	5255 F3	9000 A4	9385 E2	
2402 A2	3376 E3	5260 E3	9001 C5	9405 A1	
2403 A2	3406 B3	5262 E3	9003 A4	9406 B2	
2404 A2	3408 B3	5381 E3	9008 B5	9407 B2	
2406 B3	3410 B3	5503 B1	9010 C5	9450 B1	
2408 C3	3415 B3	5504 C1	9012 A4	9451 A1	
2410 B2	3416 B3	5506 C1	9013 A4	9453 B2	
2411 B2	3417 B3	5510 D1	9015 B4	9454 B2	
2412 C3	3419 B3	5511 D3	9017 B5	9456 B2	
2419 A2	3420 B3	5514 F2	9020 D5	9457 A1	
2452 B1	3421 B3	5520 E2	9022 A3	9459 A3	
2456 A2	3422 B3	5521 E1	9023 A4	9460 B2	
2457 A2	3423 B3	5524 D1	9024 A4	9461 B3	
2480 E2	3428 C3	5526 E1	9025 A5	9462 C4	



For Service Manuals Contact
MAURITRON TECHNICAL SERVICES
 8 Cherry Tree Rd, Chinnor
 Oxon OX9 4QY
 Tel: 01844-351694 Fax: 01844-352554
 Email: enquiries@mauritron.co.uk

6.9 CHASSIS FL1.6

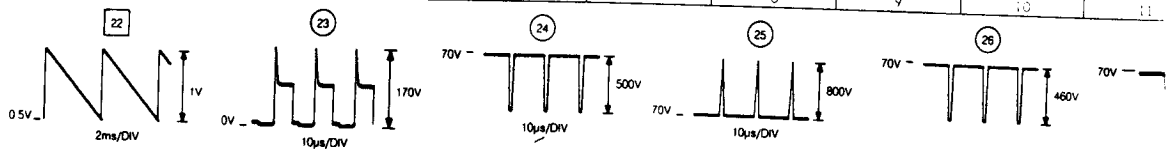


L01 F1	2065 C4	2523 C1	3202 F5	3444 B2	3600 B2	6381 E3	8542 C4	9033 C6	9503 E2
L02 E1	2066 D6	2524 D1	3203 H2	3446 B2	3601 C2	6503 B1	8548 C2	9034 C6	9504 E2
L03 A1	2070 A4	2525 D2	3204 H1	3450 A1	3602 B2	6504 C1	8547 D3	9035 A4	9505 C1
L08 C4	2071 A5	2526 C1	3205 G1	3451 A1	3603 B2	6506 C1	8551 B4	9036 A4	9506 D1
L13 C4	2072 D4	2527 C1	3208 G1	3455 A1	3604 B2	6510 D1	8601 E1	9037 B3	9507 C2
L27 B3	2073 D4	2528 F1	3210 F3	3458 A2	3605 C2	6511 D3	8629 B2	9038 B3	9508 B2
L28 G1	2074 A5	2530 F1	3211 G3	3457 A2	3606 B2	6514 F2	7000 C5	9041 C4	9510 D2
L30 A1	2200 H3	2531 D3	3212 F3	3458 A1	3607 B2	6520 E2	7001 D5	9042 C4	9511 C2
L31 E2	2202 G2	2533 D3	3213 F3	3459 A1	3608 F1	6521 E1	7002 C6	9043 D6	9513 D1
L33 G2	2203 H2	2534 D3	3214 E5	3460 B1	3609 F1	6524 D1	7003 A5	9044 A5	9521 E1
L34 G2	2210 F4	2536 C4	3216 E5	3461 A1	3610 F1	6528 E1	7004 A5	9045 D4	9522 E1
L36 G3	2211 F4	2536 D3	3216 F4	3462 A1	3611 F1	6527 C1	7006 D5	9046 D4	9524 D1
L38 A2	2214 G4	2537 D3	3220 G4	3463 A1	3612 E1	6528 C2	7008 D5	9047 E5	9530 B2
L37 A3	2215 G4	2541 C4	3234 B4	3464 A1	3614 F1	6534 D3	7007 D5	9048 D4	9533 C2
L38 A2	2216 G5	2542 C4	3235 B4	3465 A2	3615 F1	6536 D3	7008 D5	9050 A4	9534 C2
L39 F3	2218 F6	2543 C4	3238 B4	3466 A1	3616 F1	6543 D4	7009 G1	9051 D4	9536 C3
L40 E3	2219 F6	2546 D2	3237 C4	3467 B2	3617 F1	6548 D1	7010 A5	9052 D4	9537 C3
L61 G2	2230 B4	2547 C2	3238 C4	3468 A1	3618 B2	6555 D3	7011 B5	9053 D5	9538 C3
L62 E5	2231 E4	2552 B4	3239 D3	3469 A1	3619 F1	8000 A5	7012 D4	9054 D4	9541 D2
L65 G2	2232 E5	2553 B4	3240 E3	3470 A1	3620 F1	8001 A5	7013 A5	9055 A4	9542 C2
L67 D4	2233 E4	2554 C4	3241 B4	3473 B1	3621 E1	8008 A3	7201 F3	9056 A3	9543 C2
L68 C3	2234 E5	2555 B3	3243 B4	3474 A2	3622 E1	8010 A5	7218 G5	9057 C5	9544 D1
L69 A2	2235 D3	2556 B4	3245 B4	3479 F2	3623 E1	8011 D5	7241 B4	9058 G2	9545 C1
L80 G4	2238 D4	2600 F1	3246 E1	3480 B1	3624 E1	8012 D5	7242 B4	9059 G1	9547 D1
L87 B2	2237 E3	2601 B2	3247 B4	3481 F2	3625 E1	8016 B5	7248 E1	9060 G1	9548 D1
SK1 G3	2238 D4	2603 C2	3248 B4	3482 F2	3626 B2	8021 D4	7250 F3	9064 B5	9548 E1
SK2 B3	2240 D4	2604 B2	3249 F3	3483 B3	3627 A1	8201 F3	7251 F3	9065 B4	9550 C1
0207 A4	2241 B4	2606 F1	3250 F3						

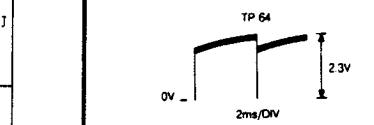
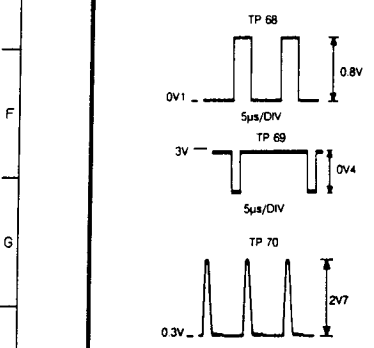
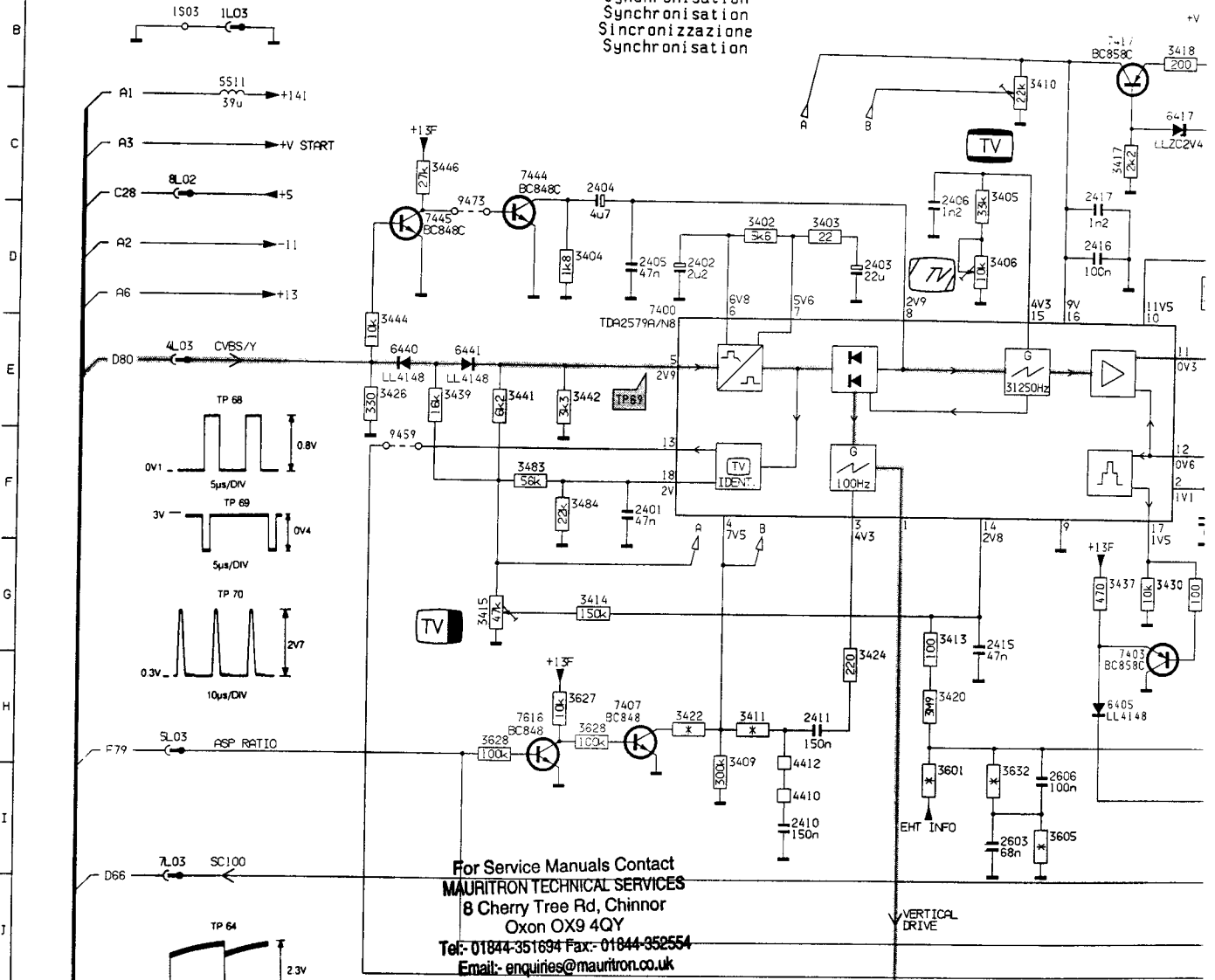
Synchronization / Synchronisierung /

CHASSIS FL1.6

B



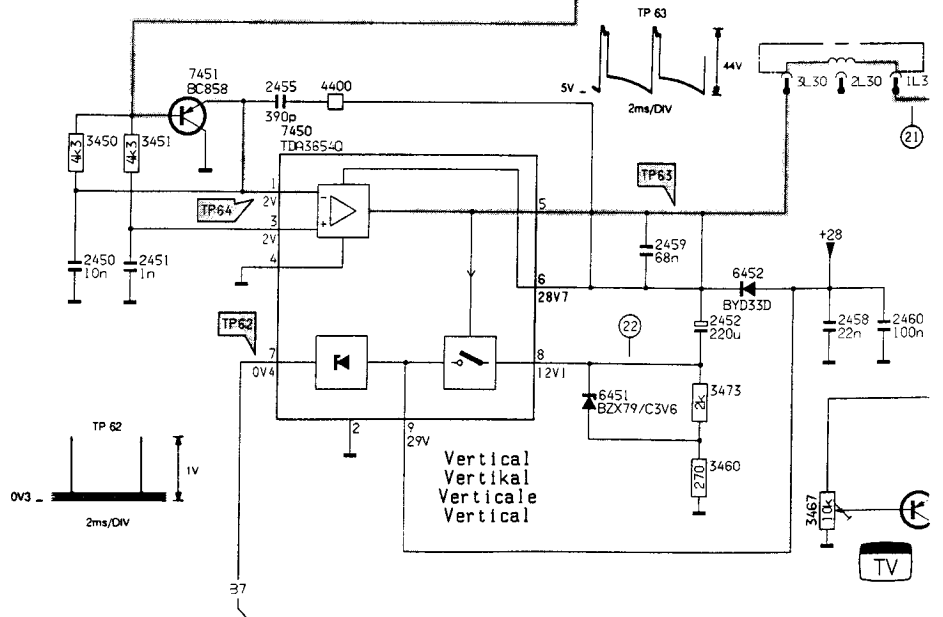
Synchronisation
Synchronisation
Sincronizzazione
Synchronisation

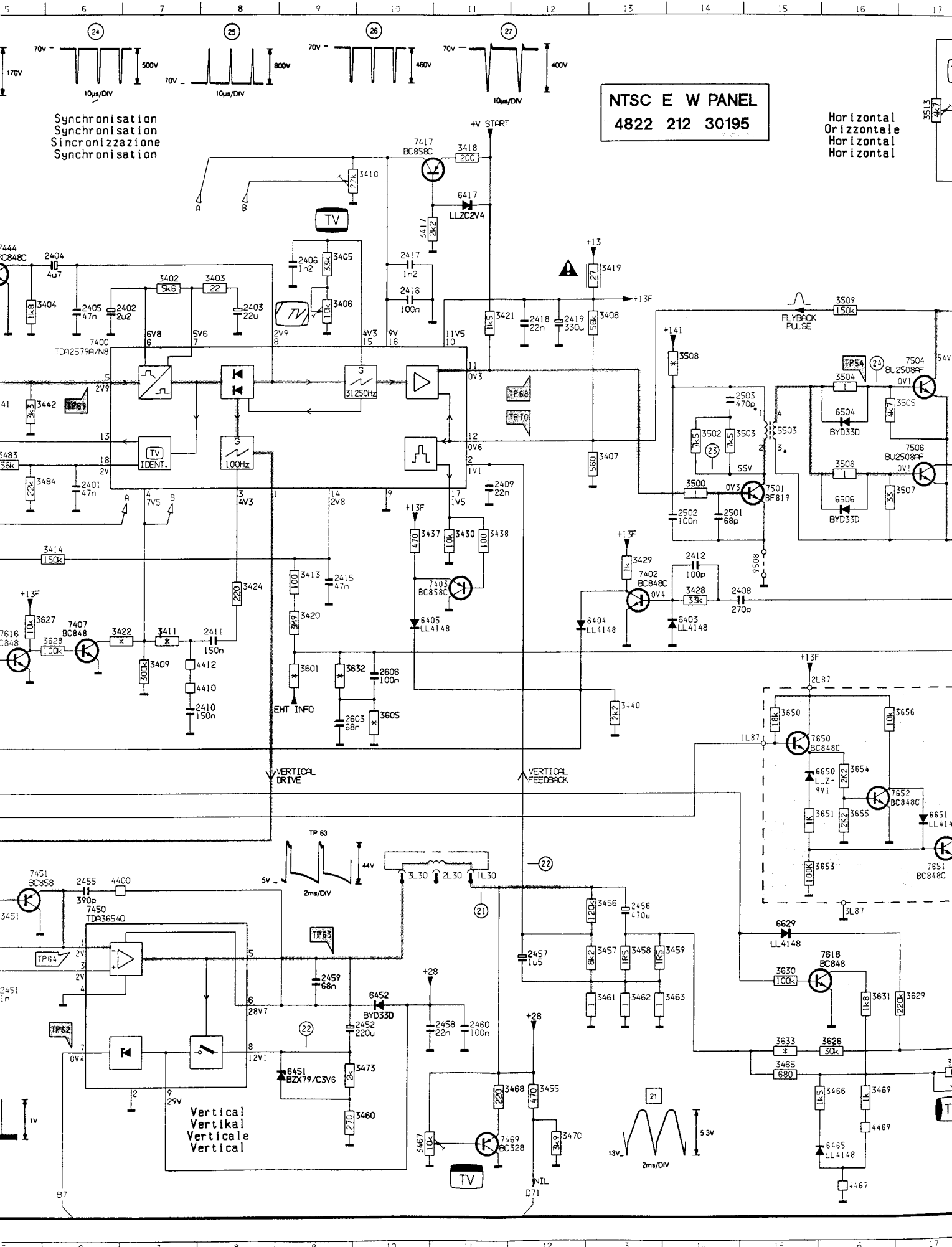


For Service Manuals Contact
MAURITRON TECHNICAL SERVICES
8 Cherry Tree Rd, Chinnor
Oxon OX9 4QY
Tel: 01844-351694 Fax: 01844-352554
Email: enquiries@mauritron.co.uk

REMARKS/REMARQUES/ANMERKUNGEN/NOTE

*	25"	28"	33"
2456	470u	470u	680u
2504	560p	560p	470p
2505	680p	680p	560p
2524	27n	27n	30n
2603	68n	47n	100n
2606	-	-	100n
3411	100k	91k	120k
3422	1M2	1M2	1M5
3456	120k	120k	130k
3457	8k2	8k2	9k1
3466	1k5	2k7	4k3
3469	1k	2k7	4k3
3505	33	33	4k7
3507	33	33	47
3508	1k8	1k5	1k5
3538	13k	12k	12k
3601	100k	150k	150k
3603	12k	12k	9k10
3604	160k	180k	180k
3605	13k	24k	24k
3622	100	100	15k
3626	270k	130k	270k
3632	100	15k	15k
3633	100k	200k	200k





NTSC E W PANEL
4822 212 30195

Horizontal
Orizzontale
Horizontal
Horizontal

Synchronisation
Synchronisation
Sincronizzazione
Synchronisation

Vertical
Vertical
Vertical
Vertical

VERTICAL DRIVE

VERTICAL FEEDBACK

TP 63
5V
2ms/DIV

TP 21
13V
2ms/DIV

TP 62
2V
2V

TP 64
2V
2V

TP 65
2V
2V

TP 66
2V
2V

TP 67
2V
2V

TP 68
2V
2V

TP 69
2V
2V

TP 70
2V
2V

TP 71
2V
2V

TP 72
2V
2V

TP 73
2V
2V

TP 74
2V
2V

TP 75
2V
2V

TP 76
2V
2V

TP 77
2V
2V

TP 78
2V
2V

TP 79
2V
2V

TP 80
2V
2V

TP 81
2V
2V

TP 82
2V
2V

TP 83
2V
2V

TP 84
2V
2V

TP 85
2V
2V

TP 86
2V
2V

TP 87
2V
2V

TP 88
2V
2V

TP 89
2V
2V

TP 90
2V
2V

TP 91
2V
2V

TP 92
2V
2V

TP 93
2V
2V

TP 94
2V
2V

TP 95
2V
2V

TP 96
2V
2V

TP 97
2V
2V

TP 98
2V
2V

TP 99
2V
2V

TP 100
2V
2V

TP 101
2V
2V

TP 102
2V
2V

TP 103
2V
2V

TP 104
2V
2V

TP 105
2V
2V

TP 106
2V
2V

TP 107
2V
2V

TP 108
2V
2V

TP 109
2V
2V

TP 110
2V
2V

TP 111
2V
2V

TP 112
2V
2V

TP 113
2V
2V

TP 114
2V
2V

TP 115
2V
2V

TP 116
2V
2V

TP 117
2V
2V

TP 118
2V
2V

TP 119
2V
2V

TP 120
2V
2V

TP 121
2V
2V

TP 122
2V
2V

TP 123
2V
2V

TP 124
2V
2V

TP 125
2V
2V

TP 126
2V
2V

TP 127
2V
2V

TP 128
2V
2V

TP 129
2V
2V

TP 130
2V
2V

TP 131
2V
2V

TP 132
2V
2V

TP 133
2V
2V

TP 134
2V
2V

TP 135
2V
2V

TP 136
2V
2V

TP 137
2V
2V

TP 138
2V
2V

TP 139
2V
2V

TP 140
2V
2V

TP 141
2V
2V

TP 142
2V
2V

TP 143
2V
2V

TP 144
2V
2V

TP 145
2V
2V

TP 146
2V
2V

TP 147
2V
2V

TP 148
2V
2V

TP 149
2V
2V

TP 150
2V
2V

TP 151
2V
2V

TP 152
2V
2V

TP 153
2V
2V

TP 154
2V
2V

TP 155
2V
2V

TP 156
2V
2V

TP 157
2V
2V

TP 158
2V
2V

TP 159
2V
2V

TP 160
2V
2V

TP 161
2V
2V

TP 162
2V
2V

TP 163
2V
2V

TP 164
2V
2V

TP 165
2V
2V

TP 166
2V
2V

TP 167
2V
2V

TP 168
2V
2V

TP 169
2V
2V

TP 170
2V
2V

TP 171
2V
2V

TP 172
2V
2V

TP 173
2V
2V

TP 174
2V
2V

TP 175
2V
2V

TP 176
2V
2V

TP 177
2V
2V

TP 178
2V
2V

TP 179
2V
2V

TP 180
2V
2V

TP 181
2V
2V

TP 182
2V
2V

TP 183
2V
2V

TP 184
2V
2V

TP 185
2V
2V

TP 186
2V
2V

TP 187
2V
2V

TP 188
2V
2V

TP 189
2V
2V

TP 190
2V
2V

TP 191
2V
2V

TP 192
2V
2V

TP 193
2V
2V

TP 194
2V
2V

TP 195
2V
2V

TP 196
2V
2V

TP 197
2V
2V

TP 198
2V
2V

TP 199
2V
2V

TP 200
2V
2V

TP 201
2V
2V

TP 202
2V
2V

TP 203
2V
2V

TP 204
2V
2V

TP 205
2V
2V

TP 206
2V
2V

TP 207
2V
2V

TP 208
2V
2V

TP 209
2V
2V

TP 210
2V
2V

TP 211
2V
2V

TP 212
2V
2V

TP 213
2V
2V

TP 214
2V
2V

TP 215
2V
2V

TP 216
2V
2V

TP 217
2V
2V

TP 218
2V
2V

TP 219
2V
2V

TP 220
2V
2V

TP 221
2V
2V

TP 222
2V
2V

TP 223
2V
2V

TP 224
2V
2V

TP 225
2V
2V

TP 226
2V
2V

TP 227
2V
2V

TP 228
2V
2V

TP 229
2V
2V

TP 230
2V
2V

TP 231
2V
2V

TP 232
2V
2V

TP 233
2V
2V

TP 234
2V
2V

TP 235
2V
2V

TP 236
2V
2V

TP 237
2V
2V

TP 238
2V
2V

TP 239
2V
2V

TP 240
2V
2V

TP 241
2V
2V

TP 242
2V
2V

TP 243
2V
2V

TP 244
2V
2V

TP 245
2V
2V

TP 246
2V
2V

TP 247
2V
2V

TP 248
2V
2V

TP 249
2V
2V

TP 250
2V
2V

TP 251
2V
2V

TP 252
2V
2V

TP 253
2V
2V

TP 254
2V
2V

TP 255
2V
2V

TP 256
2V
2V

TP 257
2V
2V

TP 258
2V
2V

TP 259
2V
2V

TP 260
2V
2V

TP 261
2V
2V

TP 262
2V
2V

TP 263
2V
2V

TP 264
2V
2V

TP 265
2V
2V

TP 266
2V
2V

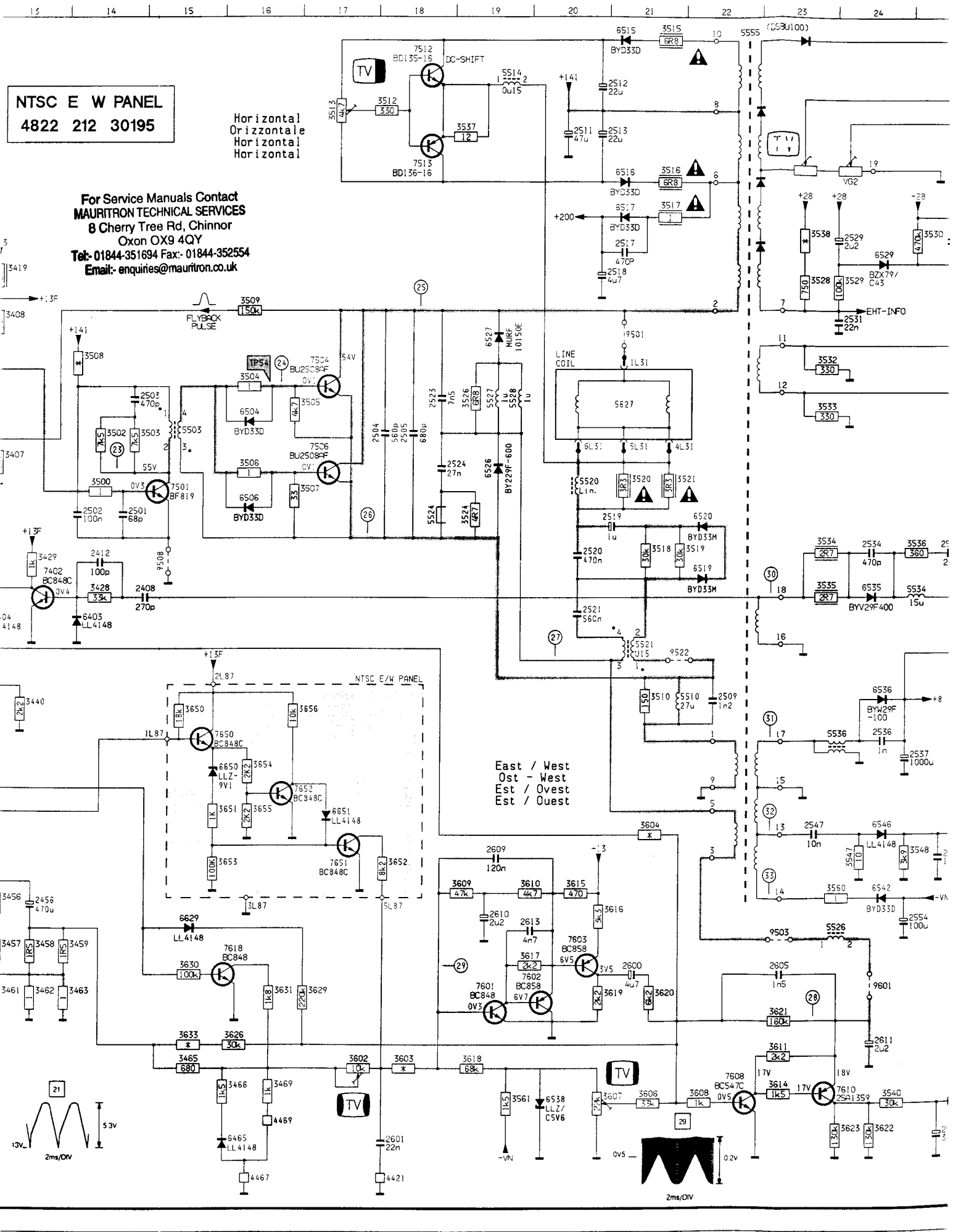
TP 267
2V
2V

CHASSIS FL1.6 Synchronisation

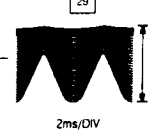
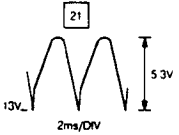
NTSC E W PANEL
4822 212 30195

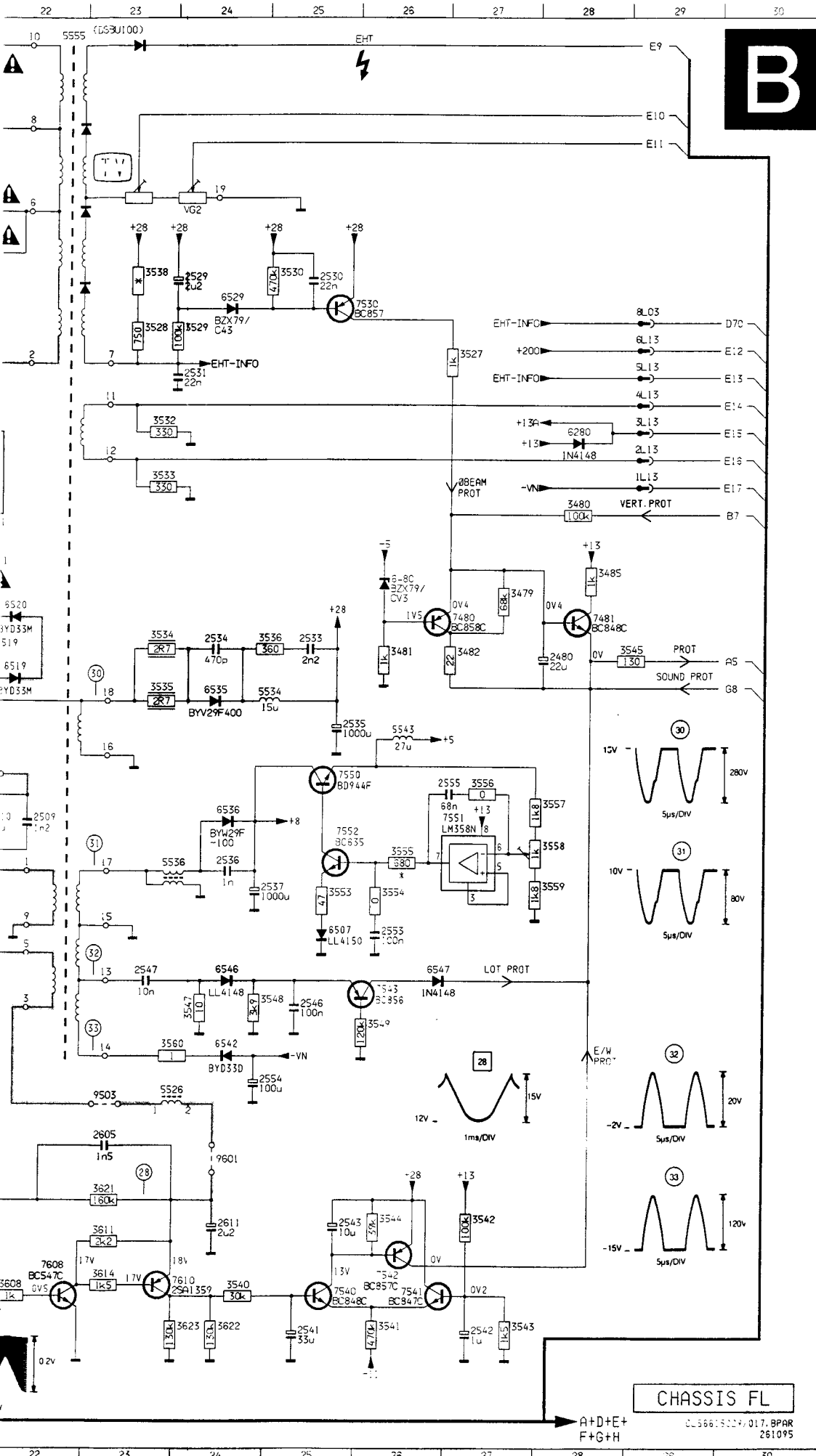
For Service Manuals Contact
MAURITRON TECHNICAL SERVICES
8 Cherry Tree Rd, Chinnor
Oxon OX9 4QY
Tel: 01844-351694 Fax: 01844-352554
Email: enquiries@mauritron.co.uk

Horizontal
Orizzontale
Horizontale
Horizontal

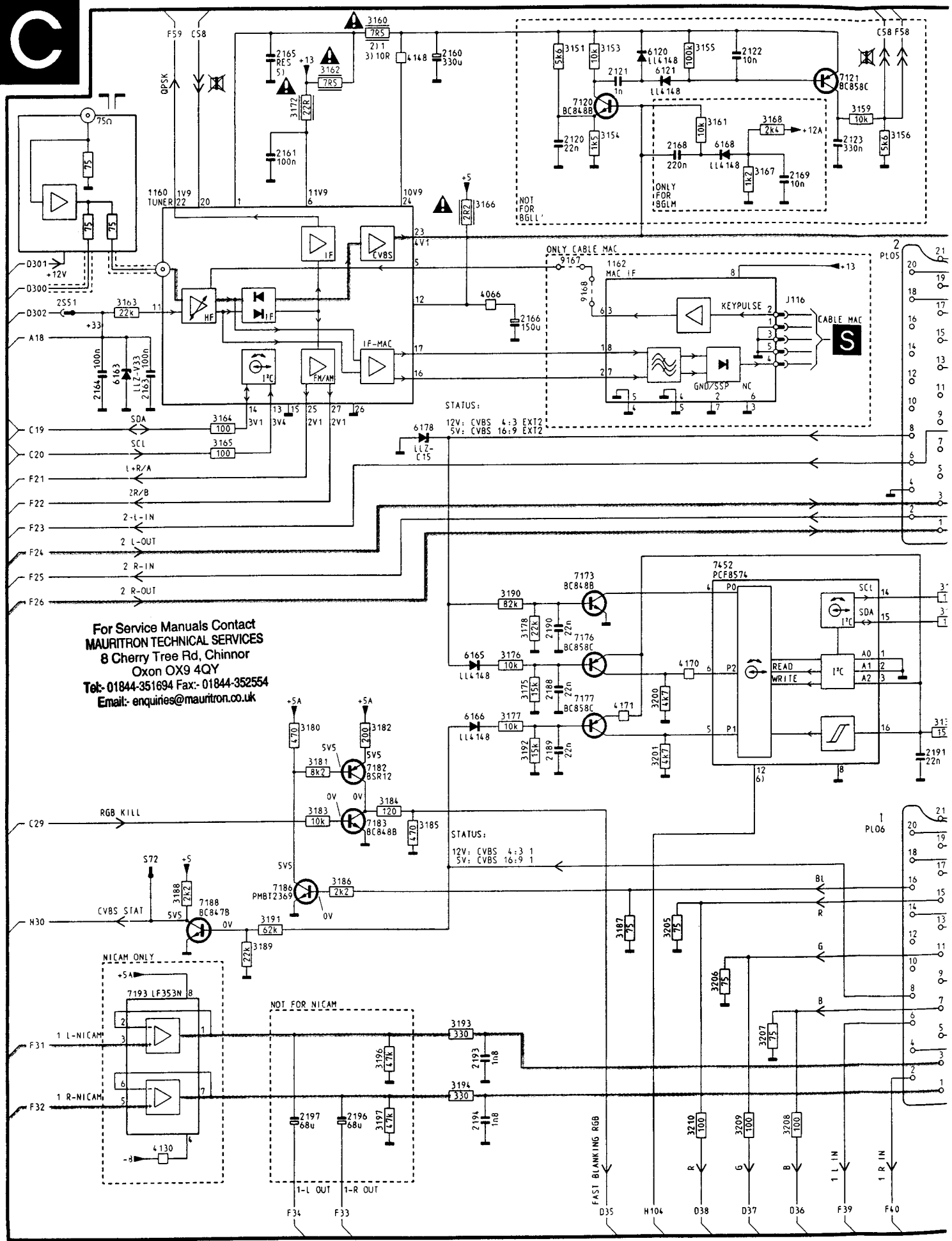


East / West
Ost - West
Est / Ovest
Est / Ouest





2401	F 6	3466	N16	5534	H25
2402	D 6	3467	N10	5536	I23
2403	D 8	3468	N11	5543	H26
2404	C 6	3469	N16	5555	A22
2405	D 6	3470	N12	5627	E21
2406	C 9	3473	M10	6280	E28
2408	H14	3479	F27	6403	H14
2409	F11	3480	F28	6404	H12
2410	I 7	3481	G26	6405	H10
2411	H 8	3482	G27	6405	H10
2412	G14	3483	F 5	6417	C11
2415	G 9	3484	F 5	6440	E 4
2416	D10	3485	F28	6441	E 4
2417	C10	3500	F14	6451	N 9
2418	D12	3502	F14	6452	M10
2419	D12	3503	F14	6465	O16
2450	H 5	3504	E16	6480	F26
2451	H 5	3505	E16	6504	E16
2452	M10	3506	F16	6506	F16
2455	K 6	3507	F16	6507	J25
2456	L13	3508	E14	6515	A21
2457	L12	3509	D16	6516	B21
2458	M11	3510	I21	6517	C21
2459	L 9	3512	A18	6519	G22
2460	M11	3513	B17	6520	G22
2480	G28	3515	A21	6526	F19
2501	G14	3516	B21	6527	D19
2502	G14	3517	C21	6529	C24
2503	E14	3518	G21	6535	H24
2504	F18	3519	G21	6536	I24
2505	F18	3520	F21	6538	N20
2509	I22	3521	F21	6542	K24
2511	B20	3524	G19	6546	K24
2512	A20	3526	E19	6547	K26
2513	B20	3527	D27	6629	L15
2517	C21	3528	D23	6650	J15
2518	D20	3529	D24	6651	J17
2519	G21	3530	C25	7400	D 6
2520	G20	3532	E23	7402	G13
2521	H20	3533	E23	7403	G11
2523	E18	3534	G23	7403	G11
2524	F18	3535	H23	7407	H 6
2529	C24	3536	G25	7417	B10
2530	C25	3537	B19	7444	C 5
2531	D24	3538	C23	7445	D 4
2533	G25	3540	N24	7450	L 6
2534	G24	3541	N26	7451	K 5
2535	H25	3542	M27	7469	N11
2536	I24	3543	M27	7480	G27
2537	J24	3544	M26	7481	G28
2541	N25	3545	G29	7501	F15
2542	N27	3547	K24	7504	E17
2543	M25	3548	K24	7506	F17
2546	K25	3549	K26	7512	A18
2547	K23	3553	J25	7513	B18
2553	J26	3554	J26	7530	C25
2554	L24	3555	I26	7540	N25
2555	I27	3556	I27	7541	N26
2600	L21	3557	I28	7542	N26
2601	O18	3558	I28	7543	K26
2603	I 9	3559	J28	7550	I25
2605	L23	3560	K23	7551	I26
2606	I10	3561	N19	7552	I25
2609	K19	3601	H 9	7601	M19
2610	L19	3602	N17	7602	M19
2611	M24	3603	N18	7603	L20
2613	L20	3604	K21	7608	N22
3402	D 7	3605	I10	7610	N24
3403	D 8	3606	N21	7616	H 5
3404	D 5	3607	N20	7618	L16
3405	C 9	3608	N22	7650	I15
3406	D 9	3609	K19	7651	K17
3407	F13	3610	K20	7652	J16
3408	D13	3611	M23	9459	F 4
3409	H 7	3614	N23	9473	C 4
3410	B10	3615	K20	9501	D21
3411	H 7	3616	L20	9503	L23
3413	G 9	3617	L20	9508	G15
3414	G 6	3618	N19	9522	H21
3415	G 5	3619	M20	9601	M24
3417	C10	3620	M21		
3418	B11	3621	M23		
3419	C13	3622	N24		
3420	H 9	3623	N24		
3421	D11	3626	M16		
3422	H 7	3627	H 5		
3424	G 8	3628	H 5		
3426	E 4	3628	H 6		
3428	H14	3629	M17		
3429	G13	3630	L15		
3430	G11	3631	M16		
3430	G11	3632	H 9		
3430	G11	3633	M15		
3437	G10	3650	I15		
3437	G10	3651	J15		
3438	G11	3652	K18		
3438	G11	3653	K15		
3439	E 4	3654	J16		
3440	I14	3655	J16		
3440	I14	3656	I16		
3441	E 5	4400	K 7		
3442	E 5	4410	I 7		
3444	D 4	4412	H 7		
3446	C 4	4421	O18		
3450	L 5	4467	O16		
3451	L 5	4489	N16		
3455	N12	5503	F15		
3456	K13	5510	I21		
3457	L13	5511	B 2		
3458	L13	5514	A19		
3459	L14	5520	F20		
3460	N10	5521	H21		
3461	M13	5524	G18		
3462	M13	5526	L23		
3463	M14	5527	E19		
3465	N15	5528	E19		



For Service Manuals Contact
MAURITRON TECHNICAL SERVICES
 8 Cherry Tree Rd, Chinnor
 Oxon OX9 4QY
 Tel: 01844-351694 Fax: 01844-352554
 Email: enquiries@mauritron.co.uk

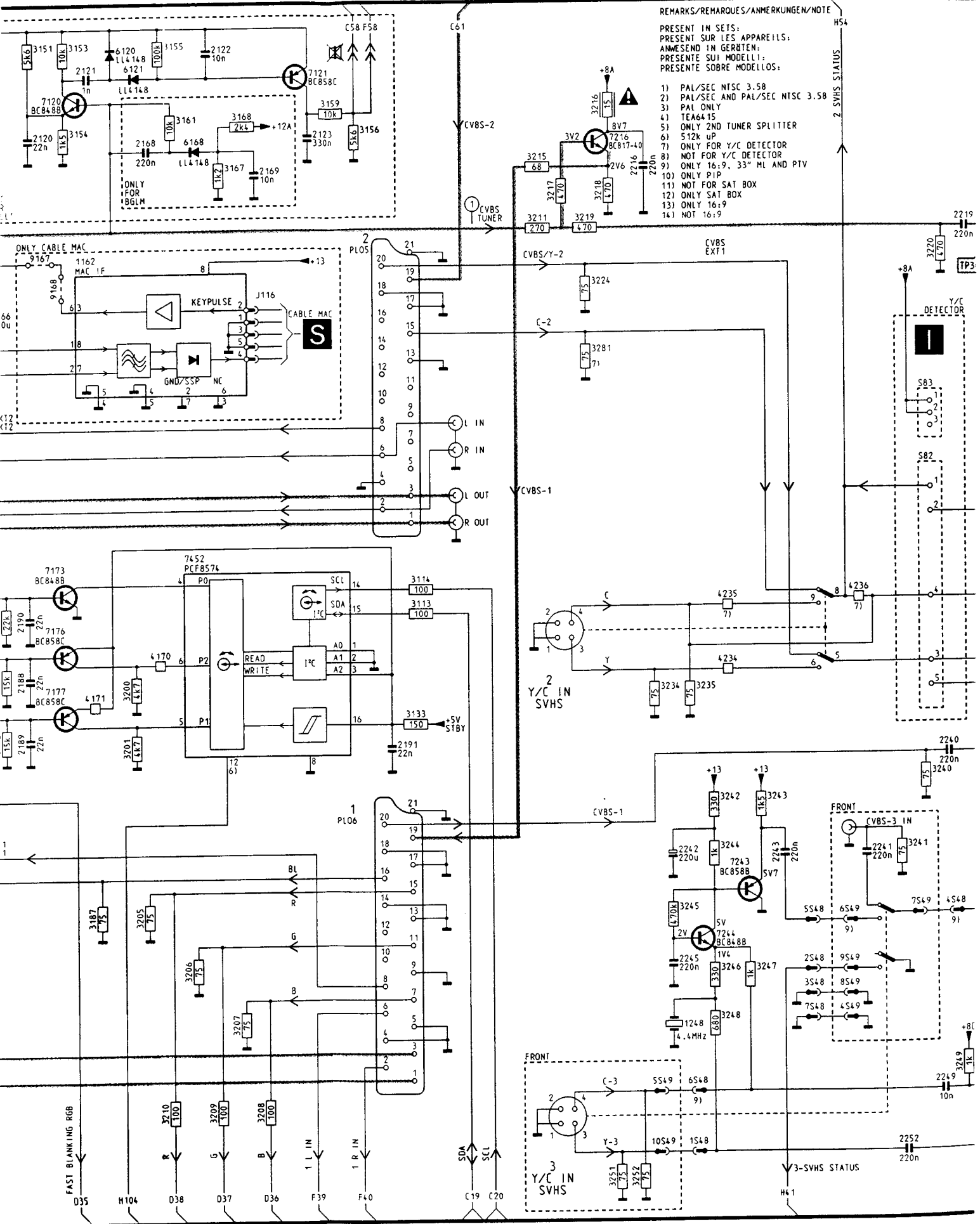
STATUS:

12V: CVBS 4:3 EXT2
 5V: CVBS 16:9 EXT2

STATUS:

12V: CVBS 4:3 1
 5V: CVBS 16:9 1

- REMARKS/REMARQUES/ANMERKUNGEN/NOTE
- PRESENT IN SETS:
 PRESENT SUR LES APPAREILS:
 ANWESENDE IN GERÄTEN:
 PRESENTE SUI MODELLI:
 PRESENTE SOBRE MODELOS:
- 1) PAL/SEC NTSC 3.58
 - 2) PAL/SEC AND PAL/SEC NTSC 3.58
 - 3) PAL ONLY
 - 4) TE64415
 - 5) ONLY 2ND TUNER SPLITTER
 - 6) 512K up
 - 7) ONLY FOR Y/C DETECTOR
 - 8) NOT FOR Y/C DETECTOR
 - 9) ONLY 16:9, 33" HL AND PTV
 - 10) ONLY PIP
 - 11) NOT FOR SAT BOX
 - 12) ONLY SAT BOX
 - 13) ONLY 16:9
 - 14) NOT 16:9



H54

2 SVHS STATUS

Y/C DETECTOR

TP3

1

2

3

4

5

6

7

8

9

10

11

12

13

14

15

16

17

18

19

20

21

22

23

24

25

26

27

28

29

30

31

32

33

34

35

36

37

38

39

40

41

42

43

44

45

46

47

48

49

50

51

52

53

54

55

56

57

58

59

60

61

62

63

64

65

66

67

68

69

70

71

72

73

74

75

76

77

78

79

80

81

82

83

84

85

86

87

88

89

90

91

92

93

94

95

96

97

98

99

100

101

102

103

104

105

106

107

108

109

110

111

112

113

114

115

116

117

118

119

120

121

122

123

124

125

126

127

128

129

130

131

132

133

134

135

136

137

138

139

140

141

142

143

144

145

146

147

148

149

150

151

152

153

154

155

156

157

158

159

160

161

162

163

164

165

166

167

168

169

170

171

172

173

174

175

176

177

178

179

180

181

182

183

184

185

186

187

188

189

190

191

192

193

194

195

196

197

198

199

200

201

202

203

204

205

206

207

208

209

210

211

212

213

214

215

216

217

218

219

220

221

222

223

224

225

226

227

228

229

230

231

232

233

234

235

236

237

238

239

240

241

242

243

244

245

246

247

248

249

250

251

252

253

254

255

256

257

258

259

260

261

262

263

264

265

266

267

268

269

270

271

272

273

274

275

276

277

278

279

280

281

282

283

284

285

286

287

288

289

290

291

292

293

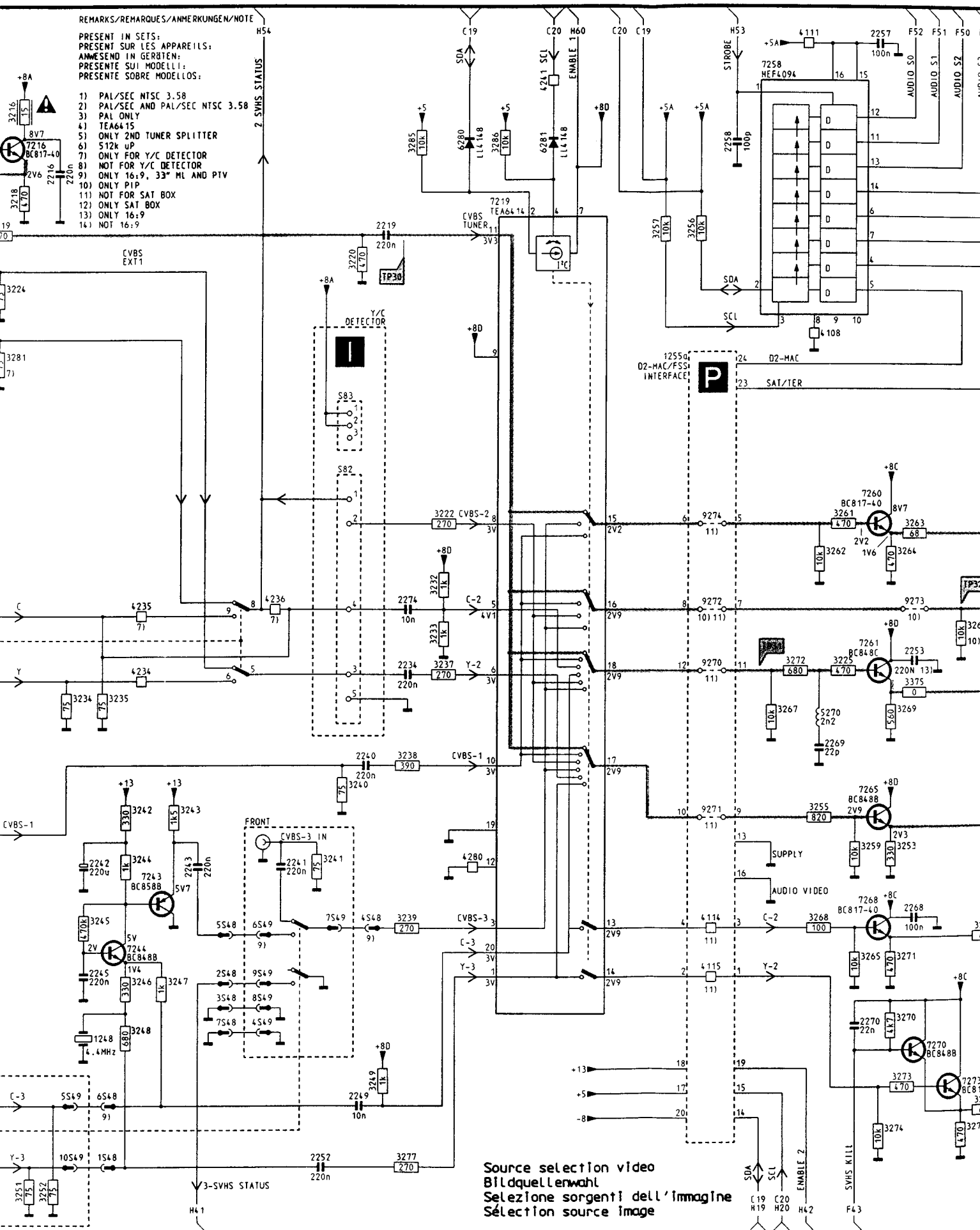
294

29

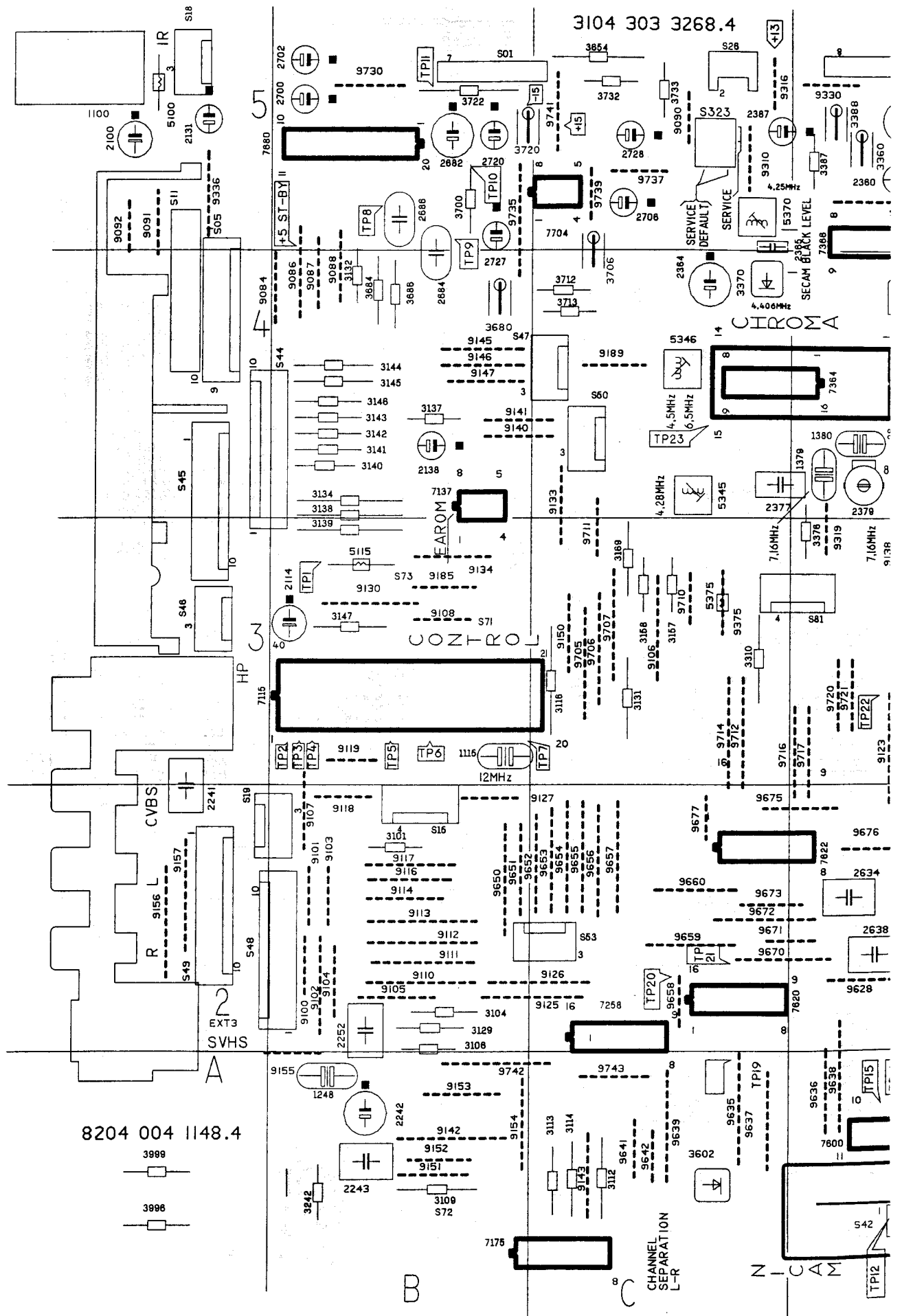
REMARKS/REMARQUES/ANMERKUNGEN/NOTE

PRESENT IN SETS:
PRESENT SUR LES APPAREILS:
ANWESEND IN GERÄTEN:
PRESENTI SUI MODELLI:
PRESENTI SOBRE MODELOS:

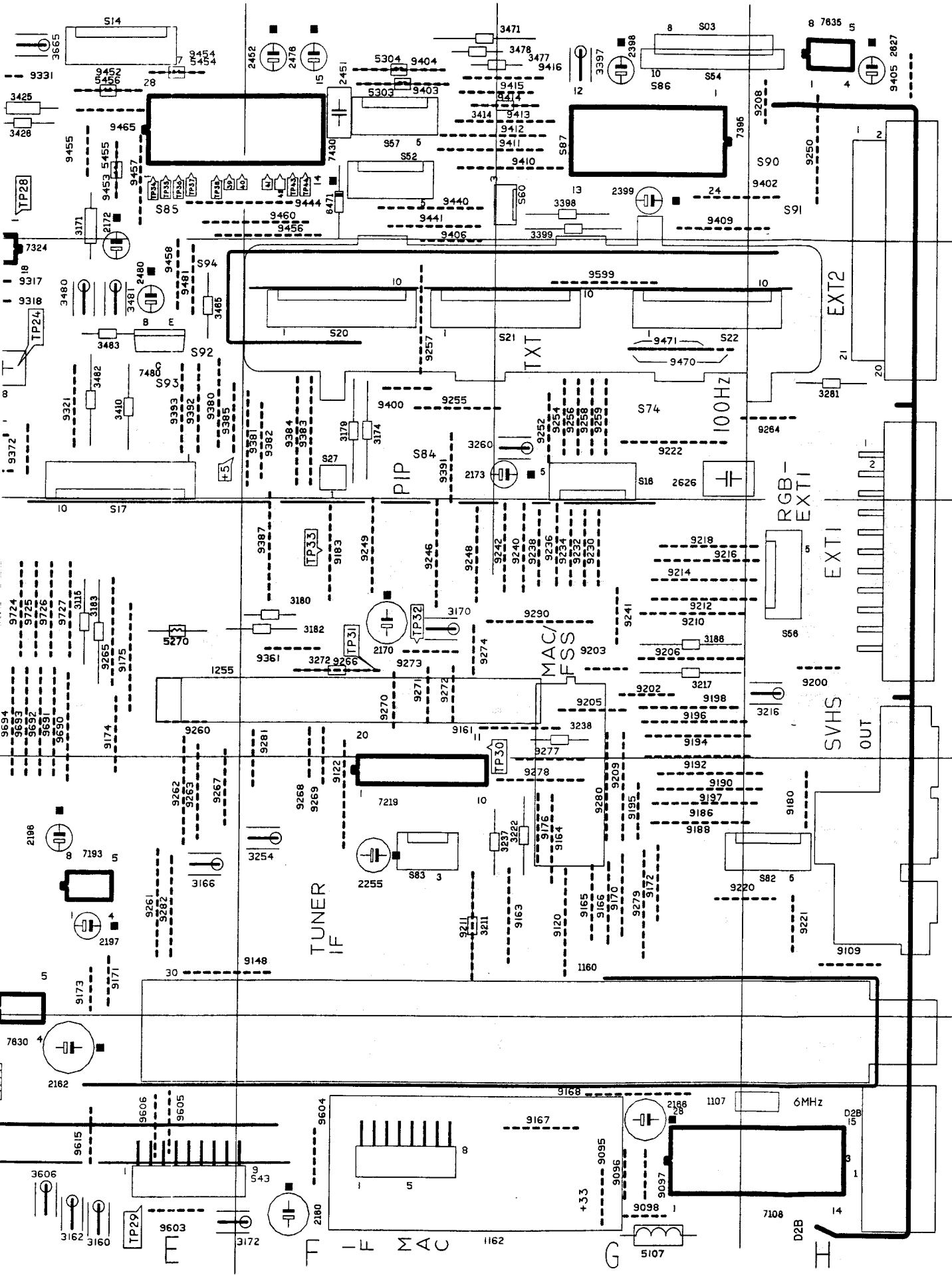
- 1) PAL/SEC NTSC 3.58
- 2) PAL/SEC AND PAL/SEC NTSC 3.58
- 3) PAL ONLY
- 4) TEA6415
- 5) ONLY 2ND TUNER SPLITTER
- 6) 512k uP
- 7) ONLY FOR Y/C DETECTOR
- 8) NOT FOR Y/C DETECTOR
- 9) ONLY 16:9, 33" ML AND PTV
- 10) ONLY PIP
- 11) NOT FOR SAT BOX
- 12) ONLY SAT BOX
- 13) ONLY 16:9
- 14) NOT 16:9



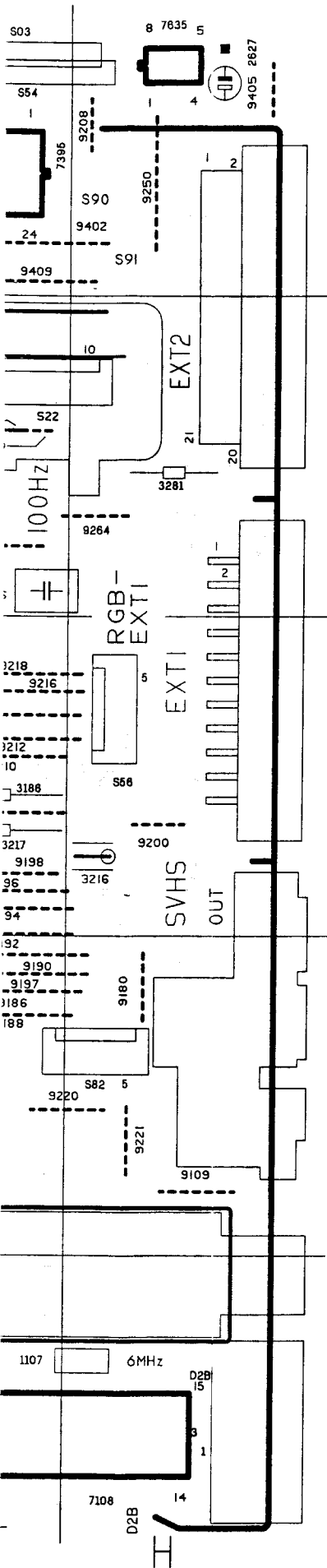
Source selection video
 Bildquellenwahl
 Selezione sorgenti dell'immagine
 Sélection source image



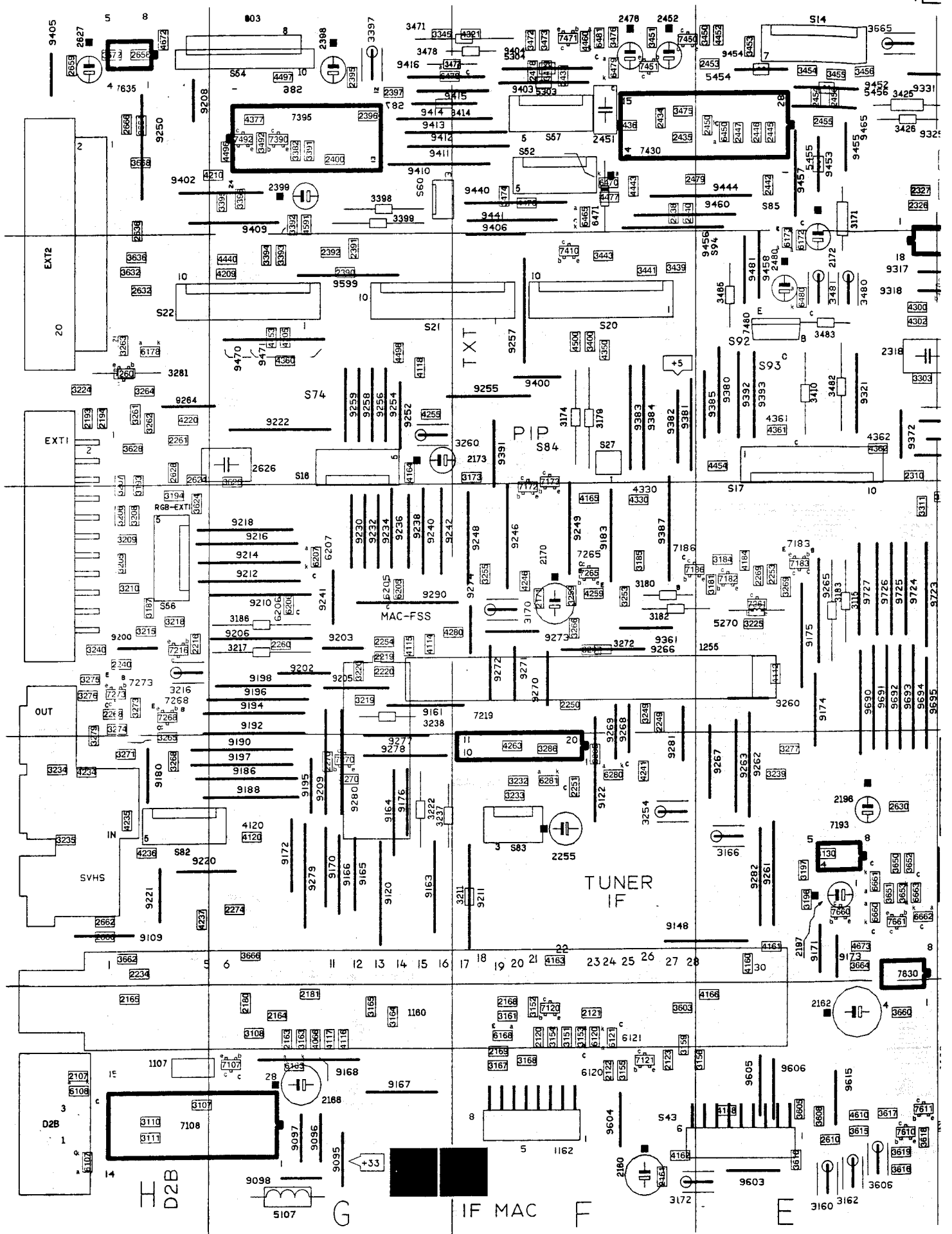
SIS FL1.6 Platine à petite signaux



- D2B H1
- EXT1 H3
- EXT2 H4
- EXT3 A3
- SVHS H1
- S01 B6
- S02 DE
- S03 HE
- S06 A4
- S11 AE
- S14 E5
- S16 B2
- S16 G4
- S17 AE
- S18 AE
- S19 B2
- S20 F4
- S21 F4
- S22 G4
- S26 CE
- S27 F4
- S42 D1
- S43 F1
- S44 B4
- S45 A4
- S46 A3
- S47 C4
- S48 B2
- S49 A2
- S50 C4
- S51 DE
- S52 F6
- S53 CE
- S54 HE
- S56 HC
- S57 F6
- S60 GE
- S81 DC
- S82 H1
- S83 F2
- 1100 AE
- 1107 H1
- 1116 B3
- 1160 E2
- 1162 F1
- 1248 B1
- 1379 D4
- 1380 D4
- 1602 D1
- 2100 AE
- 2114 BC
- 2131 AE
- 2138 B4
- 2160 F1
- 2162 E1
- 2166 G1
- 2170 F3
- 2172 E4
- 2173 G4
- 2196 E2
- 2197 E2
- 2241 A1
- 2242 B1
- 2243 B1
- 2262 B1
- 2265 F2
- 2318 E4
- 2320 DE
- 2322 DE
- 2360 DE
- 2361 DE
- 2364 C4
- 2366 CE
- 2377 C4
- 2379 D4
- 2380 D4
- 2381 D4
- 2387 CE
- 2398 G1
- 2399 G1
- 2451 FE
- 2452 FE
- 2476 FE
- 2480 E4
- 2626 G4
- 2627 HE
- 2634 D4



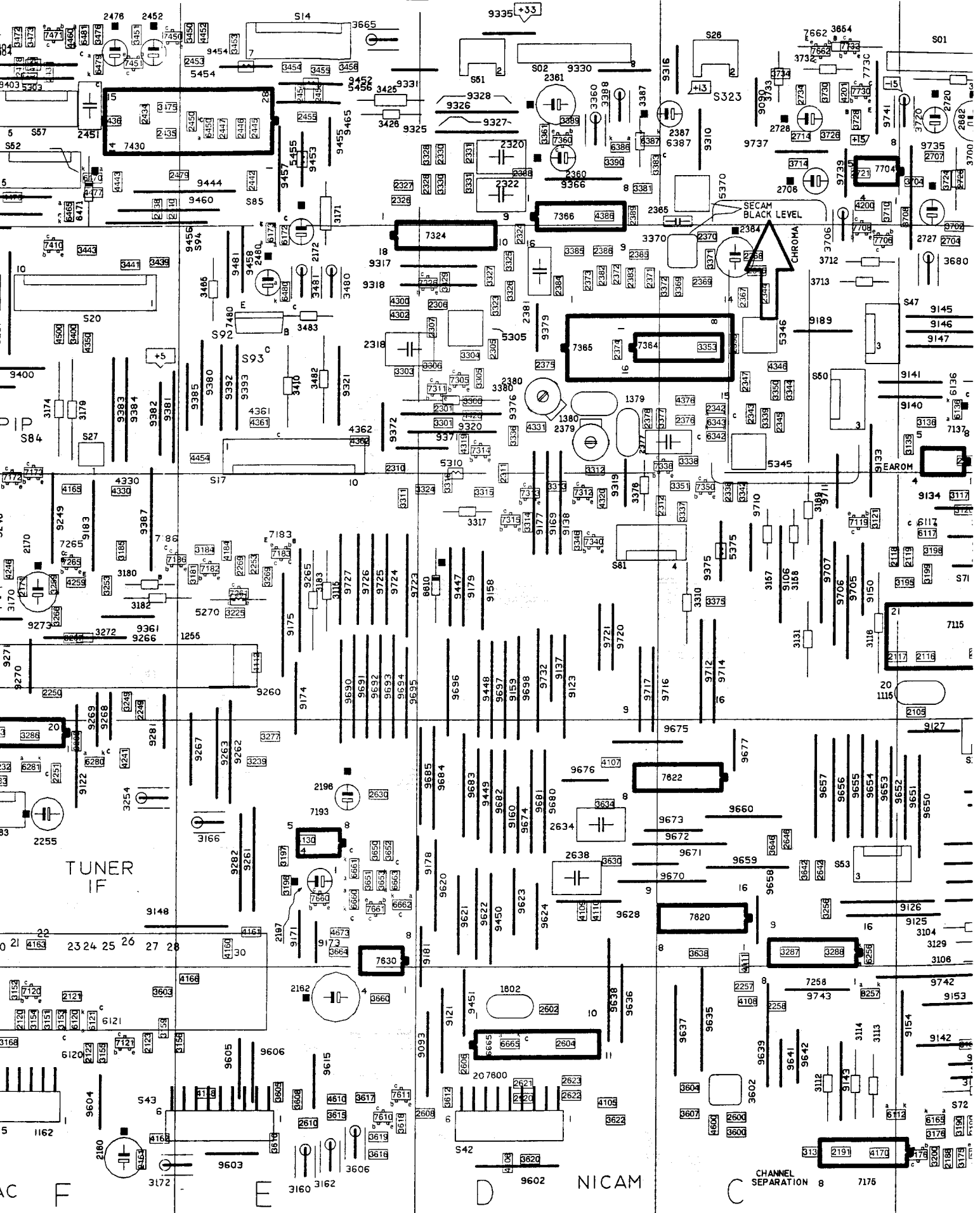
D28	H1	2638	D2	3680	B4	9142	B1	9263	E2	9603	E1
EXT1	H3	2682	B5	3684	B4	9143	C1	9264	H4	9604	F1
EXT2	H4	2684	B4	3686	B4	9145	B4	9265	E3	9605	E1
EXT3	A3	2686	B5	3700	B5	9146	B4	9266	F3	9606	E1
SVHS	H2	2700	B5	3706	C4	9147	B4	9267	E2	9615	E1
S01	B5	2702	B5	3712	C4	9148	E2	9268	F3	9620	D2
S02	D6	2706	C6	3713	C4	9150	C3	9269	F3	9621	D2
S03	H5	2720	B5	3720	B5	9151	B1	9270	F3	9622	D2
S05	A4	2727	B5	3722	B5	9152	B1	9271	F3	9623	D2
S11	A6	2728	C6	3732	C5	9153	B1	9272	F3	9624	D2
S14	E5	3101	B2	3733	C5	9154	B1	9273	F3	9628	D2
S15	B2	3104	B2	3996	A1	9155	B1	9274	F3	9635	C1
S16	G4	3106	B2	3999	A1	9156	A2	9277	G2	9636	D1
S17	E4	3109	B1	6100	A5	9157	A2	9278	G2	9637	C1
S18	A5	3112	C1	5107	G1	9158	D3	9279	G2	9638	D1
S19	B2	3113	C1	5115	B3	9159	D3	9280	G2	9639	C1
S20	F4	3114	C1	5270	E3	9160	D2	9281	F2	9641	C1
S21	F4	3115	E3	5303	F5	9161	G3	9282	E2	9642	C1
S22	G4	3116	C3	5304	F5	9163	G2	9290	G3	9650	B2
S26	C5	3129	B2	5305	D4	9164	G2	9310	C5	9651	B2
S27	F4	3131	C3	5310	D4	9165	G2	9316	C6	9652	C2
S42	D1	3132	B4	5345	C4	9166	G2	9317	D4	9653	C2
S43	F1	3134	B4	5346	C4	9167	G1	9318	D4	9654	C2
S44	B4	3137	B4	5370	C5	9168	G1	9319	D3	9655	C2
S45	A4	3138	B4	5375	C3	9169	D3	9320	D4	9656	C2
S46	A3	3139	B3	5454	E5	9170	G2	9321	E4	9657	C2
S47	C4	3140	B4	5455	E5	9171	E2	9325	D5	9658	C2
S48	B2	3141	B4	5456	E5	9172	G2	9326	D5	9659	C2
S49	A2	3142	B4	6471	F5	9173	E2	9327	D5	9660	C2
S50	C4	3143	B4	6610	D3	9174	E3	9328	D5	9670	C2
S51	D5	3144	B4	7115	B3	9175	E3	9330	D5	9671	D2
S52	F5	3145	B4	7137	B3	9176	G2	9331	E5	9672	C2
S53	C2	3146	B4	7193	E2	9177	D3	9335	D5	9673	C2
S54	H5	3147	B3	7219	F2	9178	D2	9336	A5	9674	D2
S56	H3	3157	C3	7324	E5	9179	D3	9361	F3	9675	D2
S57	F5	3158	C3	7366	D5	9180	H2	9366	D5	9676	D2
S60	G5	3160	E1	7395	G5	9181	D2	9371	D4	9677	C2
S81	D3	3162	E1	7430	E5	9183	F3	9372	E4	9680	D2
S82	H2	3166	E2	7480	E4	9185	B3	9375	C3	9681	D2
S83	F2	3169	C3	7635	H5	9186	G2	9376	D4	9682	D2
1100	A5	3170	F3	7680	B5	9188	G2	9379	D4	9683	D2
1107	H1	3171	E5	7704	C5	9189	C4	9380	E4	9684	D2
1115	B3	3172	E1	9084	B4	9190	G2	9381	F4	9685	D2
1180	E2	3174	F4	9086	B4	9192	G3	9382	F4	9690	E3
1162	F1	3179	F4	9087	B4	9194	G3	9383	F4	9691	E3
1248	B1	3180	F3	9088	B4	9195	G2	9384	F4	9692	E3
1379	D4	3182	F3	9090	C5	9196	G3	9385	E4	9693	E3
1380	D4	3183	E3	9091	A5	9197	G2	9387	F3	9694	E3
1602	D1	3186	G3	9092	A5	9198	G3	9391	F4	9695	E3
2100	A5	3211	F2	9093	D1	9200	H3	9392	E4	9696	D3
2114	B3	3216	H3	9095	G1	9202	G3	9393	E4	9697	D3
2131	A5	3217	G3	9096	G1	9203	G3	9400	F4	9698	D3
2138	B4	3222	G2	9097	G1	9205	G3	9402	G5	9705	C3
2160	F1	3237	G2	9098	G1	9206	G3	9403	F5	9706	C3
2162	E1	3238	G3	9100	B2	9208	H5	9404	F5	9707	C3
2166	G1	3242	B1	9101	B2	9209	G2	9405	H5	9710	C3
2170	F3	3254	F2	9102	B2	9210	G3	9406	F4	9711	C3
2172	E4	3260	G4	9103	B2	9211	F2	9409	G5	9712	C3
2173	G4	3272	F3	9104	B2	9212	G3	9410	G5	9714	C3
2196	E2	3281	H4	9105	B2	9214	G3	9411	F5	9716	D3
2197	E2	3310	C3	9106	C3	9216	G3	9412	F5	9717	D3
2241	A2	3317	D3	9107	B2	9218	G3	9413	G5	9720	D3
2242	B1	3360	D5	9108	B3	9220	H2	9414	G5	9721	D3
2243	B1	3370	C4	9109	H2	9221	H2	9415	F5	9723	E3
2252	B2	3376	D3	9110	B2	9222	G4	9416	G5	9724	E3
2255	F2	3380	D4	9111	B2	9230	G3	9440	F5	9725	E3
2318	E4	3387	D5	9112	B2	9232	G3	9441	F5	9726	E3
2320	D5	3388	D5	9113	B2	9234	G3	9444	E5	9727	E3
2322	D5	3397	G5	9114	B2	9236	G3	9447	D3	9730	B5
2360	D5	3398	G5	9116	B2	9238	G3	9448	D3	9732	D3
2361	D5	3399	G5	9117	B2	9240	G3	9449	D2	9735	B5
2364	C4	3410	E4	9118	B2	9241	G3	9450	D2	9737	C5
2365	C5	3414	G5	9119	B3	9242	G3	9451	D1	9739	C5
2377	C4	3425	E5	9120	G2	9246	F3	9452	E5	9741	C5
2379	D4	3426	E5	9121	D1	9248	F3	9453	E5	9742	B1
2380	D4	3465	E4	9122	F2	9249	F3	9454	E5	9743	C1
2381	D4	3471	F5	9123	D3	9250	H5	9455	E5		
2387	C5	3477	G5	9125	C2	9252	G4	9456	F5		
2398	G5	3478	F5	9126	C2	9254	G4	9457	E5		
2399	G5	3480	E4	9127	B2	9255	F4	9458	E4		
2451	F5	3481	E4	9130	B3	9256	G4	9460	F5		
2462	F5	3482	E4	9133	C4	9257	F4	9465	E5		
2476	F5	3483	E4	9134	B3	9258	G4	9470	G4		
2480	E4	3602	C1	9137	D3	9259	G4	9471	G4		
2626	G4	3606	E1	9138	D3	9260	E3	9481	E4		
2627	H5	3654	C5	9140	B4	9261	E2	9599	G4		
2634	D2	3665	E5	9141	B4	9262	E2	9602	D1		



-signal Platine

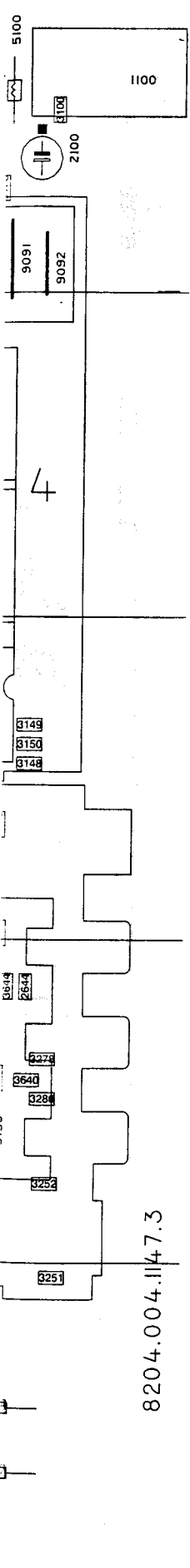
Platine à petite signaux

For Service Manuals Contact
MAURITRON TECHNICAL SERVICES
8 Cherry Tree Rd, Chinnor
Oxon OX9 4QY
Tel: 01844-351694 Fax: 01844-352554
Email: enquires@mauritron.co.uk



6.21 CHASSIS FL1.6

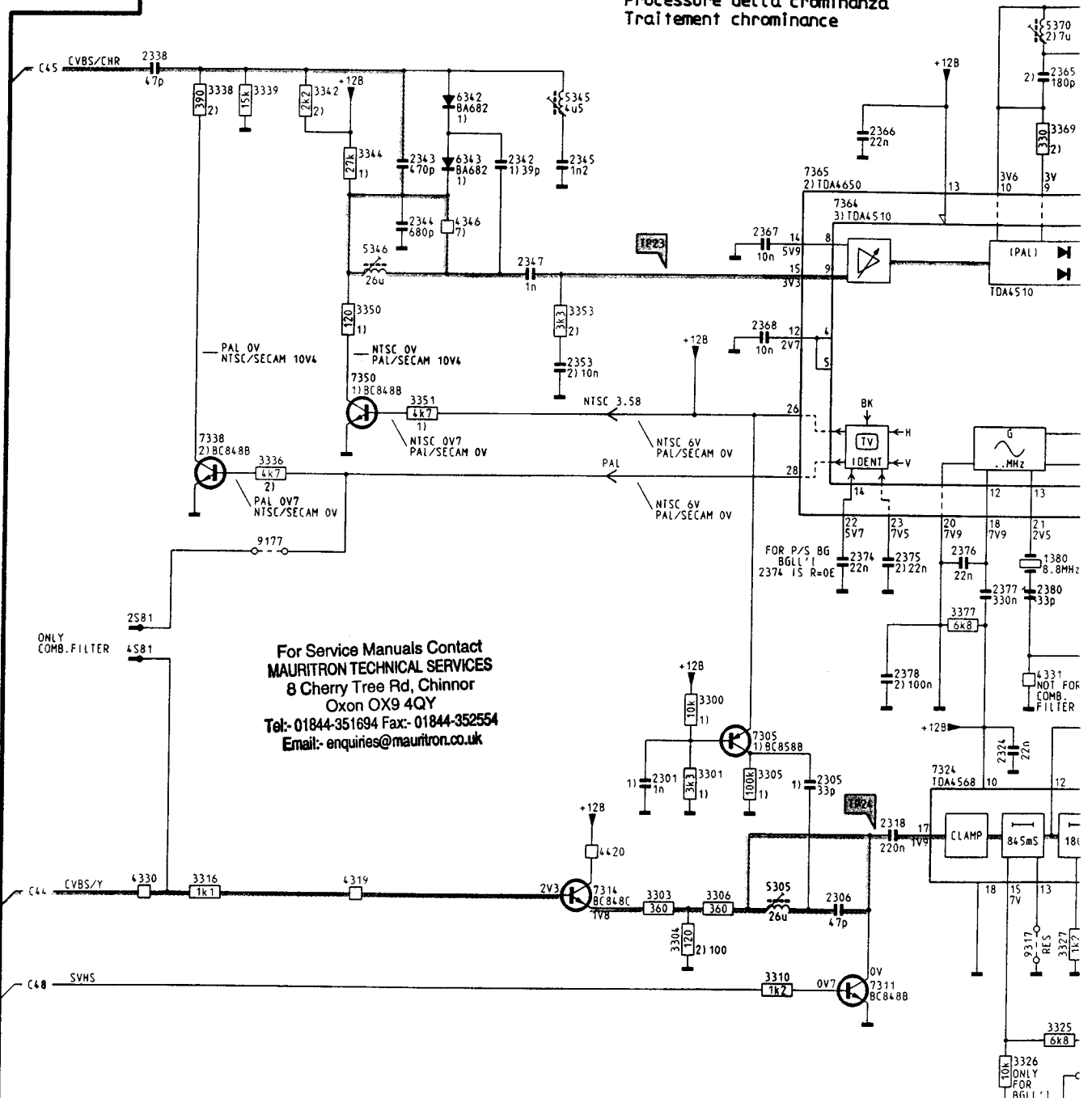
For Service Manuals Contact
MAURITRON TECHNICAL SERVICES
 8 Cherry Tree Rd, Chinnor
 Oxon OX9 4QY
 Tel: 01844-351694 Fax: 01844-352554
 Email: enquiries@maurtron.co.uk



D2B H1	2180 G1	2392 G4	3102 B3	3189 B1	3310 C3	3604 C1	4162 F1	6173 E4	7622 C2	9175 E3	9330 D5	9671 D2
EXT1 H3	2181 G1	2395 G5	3103 B3	3190 B1	3311 E3	3605 E1	4163 F2	6178 H4	7630 E1	9176 G2	9331 E5	9672 C2
EXT2 H4	2188 B1	2398 G6	3104 B2	3191 B1	3312 D4	3606 E1	4164 G4	6205 G3	7635 H6	9177 D3	9335 D5	9673 C2
EXT3 A3	2189 B1	2397 G5	3105 B1	3192 B1	3313 D3	3607 C1	4165 F3	6206 G3	7660 E2	9178 D2	9338 A5	9674 D2
SVHS H2	2190 B1	2398 G6	3106 B2	3193 H4	3314 D3	3608 E1	4166 E1	6207 G3	7661 E2	9179 D3	9361 F3	9675 D2
S01 B5	2191 C1	2399 G5	3107 H1	3194 H3	3315 D3	3610 E1	4170 C1	6256 C2	7662 C5	9180 H2	9366 D5	9676 D2
S02 D5	2193 H4	2400 G6	3108 G1	3196 B3	3316 D3	3612 D1	4171 B1	6257 C1	7680 B5	9181 D2	9371 D4	9677 C2
S03 H5	2194 H4	2433 F5	3109 B1	3196 E2	3317 D3	3616 E1	4184 E3	6280 F2	7704 C6	9183 F3	9372 E4	9680 D2
S05 A4	2196 E2	2434 F6	3110 H1	3197 E2	3323 D4	3616 E1	4200 C6	6281 F2	7706 C4	9185 B3	9375 C3	9681 D2
S11 A5	2197 E2	2435 F5	3111 H1	3198 B3	3324 D3	3617 E1	4201 C5	6342 C4	7708 C4	9186 G2	9376 D4	9682 D2
S14 E5	2216 H3	2436 F5	3112 C1	3199 B3	3325 D4	3618 E1	4203 A3	6343 C4	7730 C6	9188 G2	9379 D4	9683 D2
S16 B2	2219 G3	2438 F5	3113 C1	3200 B1	3326 D4	3619 E1	4205 G4	6386 D5	7732 C5	9189 C4	9380 E4	9684 D2
S16 G4	2220 G3	2440 F5	3114 C1	3201 B1	3327 D4	3620 D1	4209 G4	6387 D5	9084 B4	9190 G2	9381 F4	9685 D2
S17 E4	2234 H2	2442 E5	3115 E3	3202 B1	3328 D5	3622 D1	4210 G5	6450 E5	9086 B4	9192 G3	9382 F4	9690 E3
S18 A5	2240 H3	2445 E5	3116 C3	3205 H3	3329 D4	3624 H3	4220 H4	6465 F5	9087 B4	9194 G3	9383 F4	9691 E3
S19 B2	2241 A2	2446 E5	3117 B3	3206 H3	3330 D5	3626 G4	4234 H2	6470 F5	9088 B4	9196 G2	9384 F4	9692 E3
S20 F4	2242 B1	2447 E5	3118 B3	3207 H4	3331 D5	3628 H4	4236 H2	6471 F5	9090 C5	9196 G3	9385 E4	9693 E3
S21 F4	2243 B1	2448 E5	3119 B4	3208 H3	3336 D4	3630 D2	4236 H2	6478 G5	9091 A5	9197 G2	9387 F3	9694 E3
S22 G4	2245 B1	2451 F5	3120 B3	3209 H3	3337 C3	3632 H4	4237 H2	6479 F5	9092 A5	9198 G3	9391 F4	9695 E3
S26 C5	2249 F3	2452 F5	3121 C3	3210 H3	3338 C4	3634 D2	4241 F2	6480 E4	9093 D1	9200 H3	9392 E4	9696 D3
S27 F4	2250 F3	2453 E5	3122 B3	3211 F2	3339 C4	3636 H4	4246 F3	6481 F5	9095 G1	9202 G3	9393 E4	9697 D3
S42 D1	2251 F2	2454 E5	3123 B3	3216 H3	3342 C3	3638 C2	4256 G4	6610 D3	9096 G1	9203 G3	9400 F4	9698 D3
S43 F1	2252 E2	2455 E5	3124 B3	3216 H3	3344 C4	3640 A2	4259 F3	6660 E2	9097 G1	9205 G3	9402 G5	9705 C3
S44 B4	2253 E3	2456 E5	3125 B3	3217 G3	3345 G5	3642 C2	4263 F2	6661 E2	9098 G1	9206 G3	9403 F5	9706 C3
S45 A4	2254 G3	2476 F5	3126 B2	3218 H3	3346 D3	3644 A2	4280 F3	6662 E2	9100 B2	9208 H5	9404 F5	9707 C3
S46 A3	2255 F2	2478 F5	3127 B2	3219 G3	3350 C4	3646 C2	4300 E4	6663 E2	9101 B2	9209 G2	9406 H5	9710 C3
S47 C4	2257 C1	2479 F5	3128 A5	3220 G3	3351 C3	3650 E2	4302 E4	6664 B5	9102 B2	9210 G3	9406 F4	9711 C3
S48 B2	2258 C1	2480 E4	3129 B2	3222 G2	3353 C4	3651 E2	4319 D4	6665 D1	9103 B2	9211 F2	9409 G5	9712 C3
S49 A2	2260 G3	2600 C1	3130 B3	3224 H4	3360 D5	3652 E2	4320 D3	7107 G1	9104 B2	9212 G3	9410 G5	9714 C3
S50 C4	2261 H4	2602 D1	3131 C3	3225 E3	3361 D6	3653 E2	4321 F5	7108 G1	9105 B2	9214 G3	9411 F5	9716 D3
S51 D5	2268 H3	2604 D1	3132 B4	3232 F2	3369 C4	3654 C5	4330 F3	7115 B3	9106 C3	9216 G3	9412 F5	9717 D3
S52 F5	2269 E3	2606 D1	3133 C1	3233 F2	3370 C4	3660 E1	4331 D4	7119 C3	9107 B2	9218 G3	9413 G5	9720 D3
S53 C2	2270 G2	2607 B5	3134 B4	3234 H2	3371 C4	3662 H2	4346 C4	7120 F1	9108 B3	9220 H2	9414 G5	9721 D3
S54 H5	2274 G2	2608 D1	3135 B4	3235 H2	3372 C4	3664 E2	4350 F4	7121 F1	9109 H2	9221 H2	9415 F5	9723 E3
S56 H3	2301 D4	2610 E1	3136 B4	3237 G2	3375 C3	3665 E5	4360 G4	7130 A5	9110 B2	9222 G4	9416 G5	9724 E3
S57 F5	2305 D4	2620 D1	3137 B4	3238 G3	3376 D3	3666 G2	4361 E4	7137 B3	9111 B2	9230 G3	9440 F5	9725 E3
S60 G5	2306 D4	2621 D1	3138 B4	3239 E2	3377 C4	3668 H5	4362 E4	7172 F3	9112 B2	9232 G3	9441 F5	9726 E3
S81 D3	2307 D4	2622 D1	3139 B3	3240 H3	3380 D4	3672 H5	4376 C4	7173 F4	9113 B2	9234 G3	9444 E5	9727 E3
S82 H2	2310 E4	2623 D1	3140 B4	3241 A3	3381 D5	3680 B4	4377 G5	7175 B1	9114 B2	9236 G3	9447 D3	9730 B5
S83 F2	2311 D4	2624 H4	3141 B4	3242 B1	3382 G5	3682 B5	4386 D5	7176 B1	9116 B2	9238 G3	9448 D3	9732 D3
1100 A5	2312 C3	2626 G4	3142 B4	3243 B1	3383 D5	3684 B4	4420 D4	7177 B1	9117 B2	9240 G3	9449 D2	9735 B5
1107 H1	2318 E4	2627 H5	3143 B4	3244 B1	3386 D4	3686 B4	4440 G4	7178 B1	9118 B2	9241 G3	9450 D2	9737 C5
1115 B3	2320 D5	2628 H4	3144 B4	3245 B1	3387 D5	3700 B5	4443 F5	7182 E3	9119 B3	9242 G3	9451 D1	9739 C5
1160 E2	2322 D5	2630 E2	3145 B4	3246 B1	3388 D5	3702 B4	4452 E5	7183 E3	9120 G2	9246 F3	9452 E5	9741 C5
1162 F1	2324 D4	2632 H4	3146 B4	3247 B1	3389 D5	3704 B5	4453 G4	7186 F3	9121 D1	9248 F3	9453 E5	9742 B1
1248 B1	2326 E5	2634 D2	3147 B3	3248 B1	3390 D5	3706 C4	4454 E4	7188 B1	9122 F2	9249 F3	9454 E5	9743 C1
1379 D4	2327 E5	2636 H5	3148 A3	3249 F3	3391 G5	3708 B5	4460 F5	7193 E2	9123 D3	9250 H5	9455 E5	
1380 D4	2328 D5	2638 D2	3149 A3	3251 A1	3392 G5	3710 C5	4476 F5	7216 H3	9125 C2	9252 G4	9456 F5	
1602 D1	2330 D5	2640 A2	3150 A3	3252 A2	3393 G4	3712 C4	4477 F5	7219 F2	9126 C2	9254 G4	9457 E5	
2100 A5	2331 D5	2642 C2	3151 F1	3253 F3	3394 G4	3713 C4	4496 G5	7243 B1	9127 B2	9255 F4	9458 E4	
2106 B3	2338 C3	2644 A2	3152 F1	3254 F2	3395 G5	3714 C5	4497 G5	7244 B1	9130 B3	9256 G4	9460 F5	
2107 H1	2342 C4	2646 C2	3153 F1	3255 F3	3396 G5	3720 B5	4498 G4	7258 C1	9133 C4	9257 F4	9465 E5	
2108 B3	2343 C4	2658 H5	3154 F1	3256 C2	3397 G5	3722 B5	4500 F4	7260 H4	9134 B3	9258 G4	9470 G4	
2109 B3	2344 C4	2659 H5	3155 F1	3257 C1	3398 G5	3724 B5	4591 G5	7261 E3	9137 D3	9259 G4	9471 G4	
2110 B3	2345 C4	2660 H2	3156 E1	3259 F3	3399 G5	3726 C5	4600 C1	7265 F3	9138 D3	9260 E3	9481 E4	
2111 B3	2347 C4	2662 H2	3157 C3	3260 G4	3400 F4	3728 C5	4610 E1	7268 H3	9140 B4	9261 E2	9599 G4	
2114 B3	2353 C4	2664 H5	3158 C3	3261 H4	3410 E4	3730 C5	4672 H5	7270 G2	9141 B4	9262 E2	9602 D1	
2115 B3	2360 D5	2666 H5	3159 F1	3262 H4	3414 G5	3732 C5	4673 E2	7273 H3	9142 B1	9263 E2	9603 E1	
2116 B3	2361 D5	2680 B5	3160 E1	3263 H4	3425 E5	3733 C5	5100 A5	7305 D4	9143 C1	9264 H4	9604 F1	
2117 C3	2364 C4	2681 B5	3161 F1	3264 H4	3426 E5	3734 C5	5107 G1	7311 D4	9145 B4	9265 E3	9605 E1	
2118 C3	2365 C5	2682 B5	3162 E1	3265 H2	3439 F4	3996 A1	5115 B3	7312 D3	9146 B4	9266 F3	9606 E1	
2119 B3	2366 C4	2684 B4	3163 G1	3266 F3	3441 F4	3997 A1	5270 E3	7313 D3	9147 B4	9267 E2	9616 E1	
2120 F1	2367 C4	2686 B5	3164 G1	3267 F3	3443 F4	3998 A1	5303 F5	7314 D4	9148 E2	9268 F3	9620 D2	
2121 F1	2368 C4	2688 B5	3165 G1	3268 H2	3450 E5	3999 A1	5304 F5	7315 D3	9150 C3	9269 F3	9621 D2	
2122 F1	2369 C4	2690 B5	3166 E2	3269 E3	3451 F5	4066 G1	5306 D4	7324 E5	9151 B1	9270 F3	9622 D2	
2123 F1	2370 C4	2692 B5	3167 F1	3270 G2	3453 E5	4103 A2	5310 D4	7326 D4	9152 B1	9271 F3	9623 D2	
2126 B3	2371 D4	2694 B5	3168 F1	3271 H2	3454 E5	4105 D1	5345 C4	7338 C4	9153 B1	9272 F3	9624 D2	
2127 B3	2372 D4	2696 B5	3169 C3	3272 F3	3455 E5	4106 D1	5346 C4	7340 D3	9154 B1	9273 F3	9628 D2	
2129 B3	2373 D4	2697 B5	3170 F3	3273 H3	3456 E5	4107 D2	5370 C5	7350 C3	9155 B1	9274 F3	9635 C1	
2130 B3	2374 D4	2698 B5	3171 E5	3274 H3	3465 E4	4108 C1	5375 C3	7360 D5	9156 A2	9277 G2	9636 D1	
2131 A6	2375 D4	2699 B5	3172 E1	3275 H3	3471 F5	4109 D2	5464 E5	7364 D4	9157 A2	9278 G2	9637 C1	
2132 B3	2376 C4	2700 B5	3173 F4	3276 H3	3472 F5	4110 D2	5465 E5	7365 D4	9158 D3	9279 G2	9638 D1	
2137 B4	2377 C4	2702 B5	3174 F4	3277 E2	3473 F5	4111 C2	5456 E5	7365 D4	9159 D3	9280 G2	9639 C1	
2138 B4	2378 D4	2704 B4	3175 B1	3278 A2	3474 F5	4112 E3	6107 H1	7366 D5	9160 D2	9281 F2	9641 C1	
2160 F1	2379 D4	2706 C5	3176 B1	3279 H3	3475 F5	4114 G3	6108 H1	7390 G5	9161 G3	9282 E2	9642 C1	
2161 F1	2380 D4	2707 B5	3177 B1	3280 A2	3476 F5	4115 G3	6112 C1	7395 G5	9163 G2	9290 G3	9650 B2	
2162 E1	2381 D4	2714 C5	3178 B1	3281 H4	3477 G5	4116 G1	6117 B3	7410 F4	9164 G2	9310 C5	9651 B2	
2163 G1	2382 D4	2716 A3	3179 F4	3285 F2	3478 F5	4117 G1	6120 F1	7430 E5	9165 G2	9316 C5	9652 C2	
2164 G1	2383 D4	2720 B5	3180 F3	3286 F2	3479 F5	4118 G4	6121 F1	7450 F5	9166 G2	9317 D4	9653 C2	
2165 H1	2384 D4	2721 C5	3181 E3	3287 C2	3480 E4	4120 G2	6130 B3	7451 F5	9167 G1	9318 D4	9654 C2	
2166 G1	2385 D4	2726 B5	3182 F3	3288 C2	3481 E4	4126 B4	6135 B4	7471 F5	9168 G1	9319 D3	9655 C2	
2168 F1	2386 D4	2727 B5	3183 E3	3300 D4	3482 E4	4127 B4	6136 B4	7480 E4	9169 D3	9320 D4	9656 C2	
2169 F1	2387 C5	2728 C5	3184 E3	3301 D4	3483 E4	4129 A5	6163 G1	7492 G5	9170 G2	9321 E4	9657 C2	
2170 F3												

D

**Chrominance processing
Chrominanz-Processor
Processore della crominanza
Traitement chrominance**



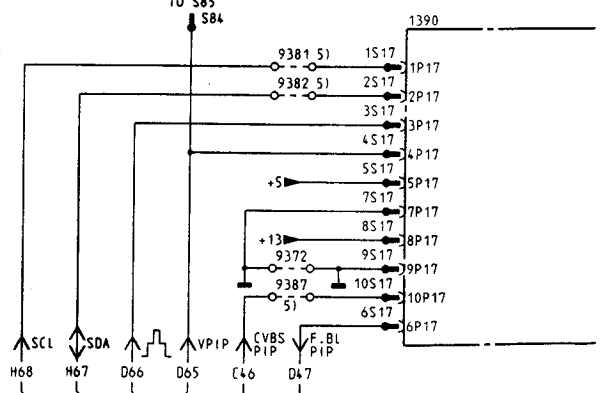
For Service Manuals Contact
MAURITRON TECHNICAL SERVICES
8 Cherry Tree Rd, Chinnor
Oxon OX9 4QY
Tel:- 01844-351694 Fax:- 01844-352554
Email:- enquiries@mauritron.co.uk

ONLY COMB. FILTER

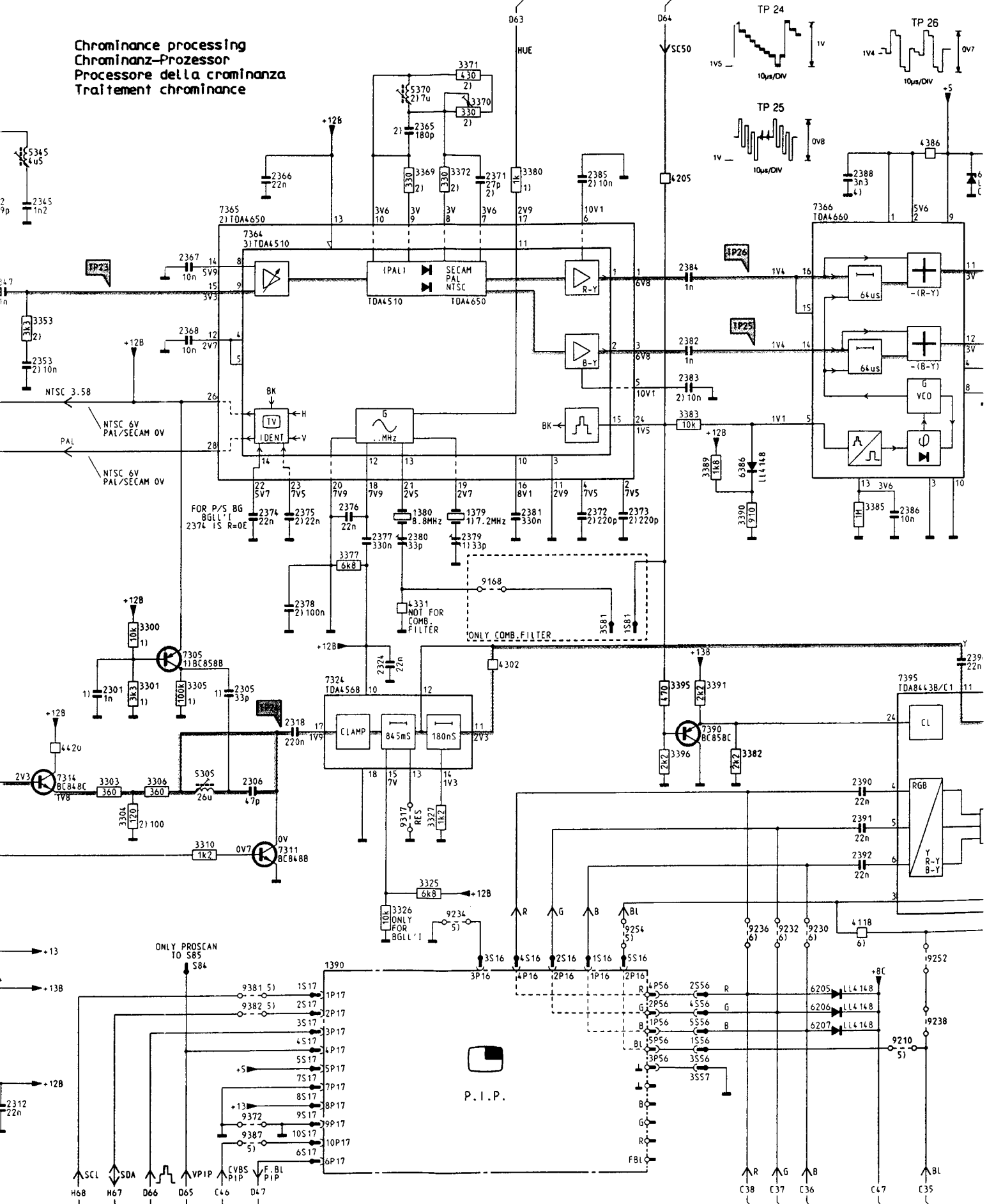
ONLY PROSCAN TO S85

REMARKS/REMARQUES/ANMERKUNGEN/NOTE
PRESENT IN SETS:
ANWESEND IN GERÄTEN:
PRESENTI SUI MODELLI:
PRESENTI SOBRE MODELOS:

- 1) ONLY PAL/SECAM NTSC 3.58
- 2) PAL/SECAM & PAL/SECAM/NTSC 3.58
- 3) ONLY PAL
- 4) ONLY AMBSBLATT
- 5) ONLY PIP
- 6) NOT PIP
- 7) NOT FOR PAL/SECAM NTSC 3.58

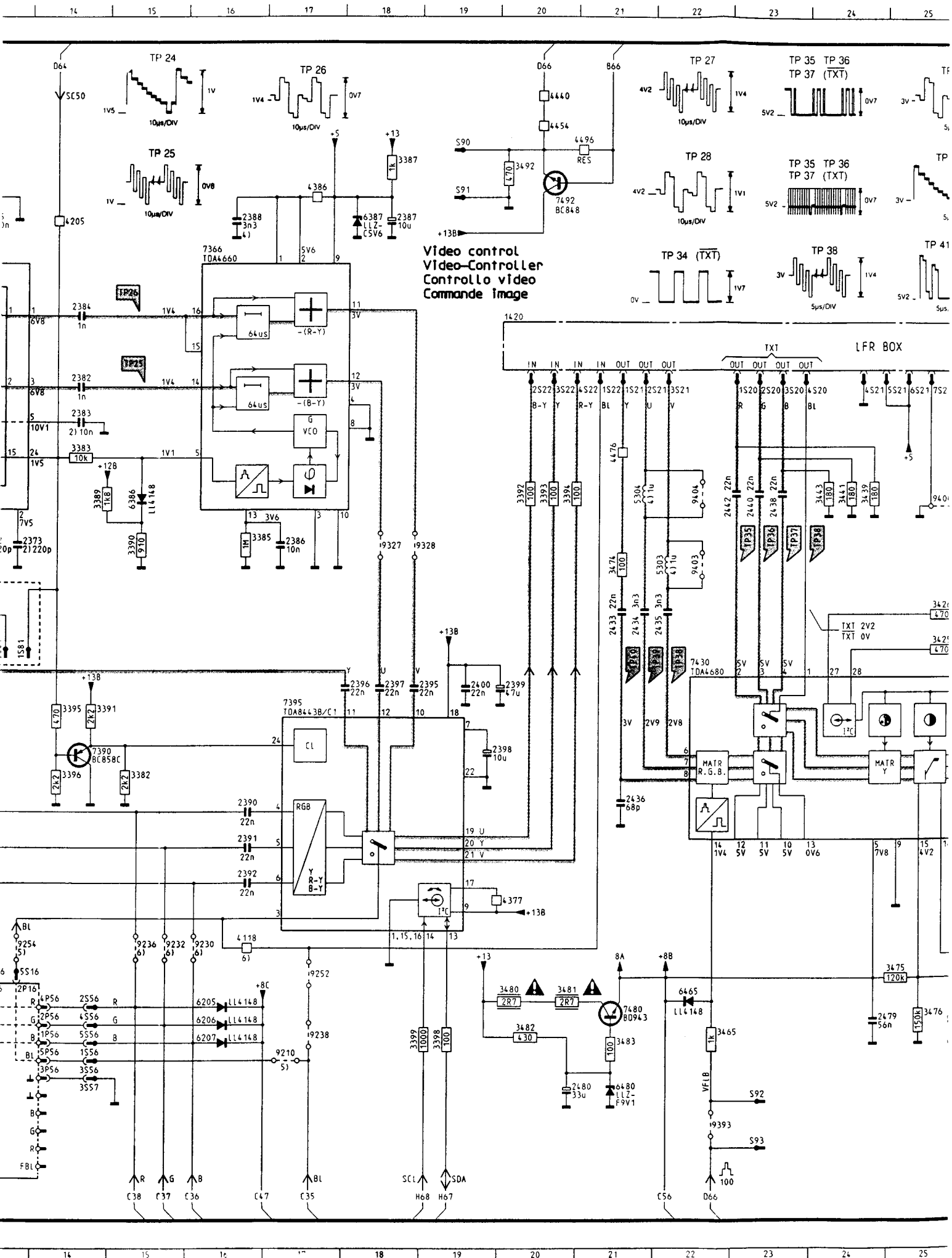


Chrominance processing
Chrominanz-Processor
Processore della crominanza
Traitement chrominance



P. I. P.

S FL1.6 Traitement vidéo



Video control
Video-Controller
Controllo video
Comande image

LFR BOX

MATR R. G. B.

7430 TDA4680

7395 TDA843B/C1

7366 TDA4660

TP 24

TP 25

TP 26

TP 27

TP 35

TP 36

TP 37 (TXT)

TP 28

TP 35

TP 36

TP 37 (TXT)

TP 34 (TXT)

TP 38

TP 41

TP 25

TP 26

TP 25

TP 25

TP 25

TP 25

TP 25

TP 25

TP 25

TP 25

TP 25

TP 24

TP 25

TP 25

TP 26

TP 25

TP 25

TP 25

TP 25

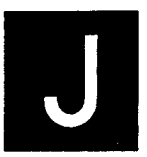
TP 25

TP 25

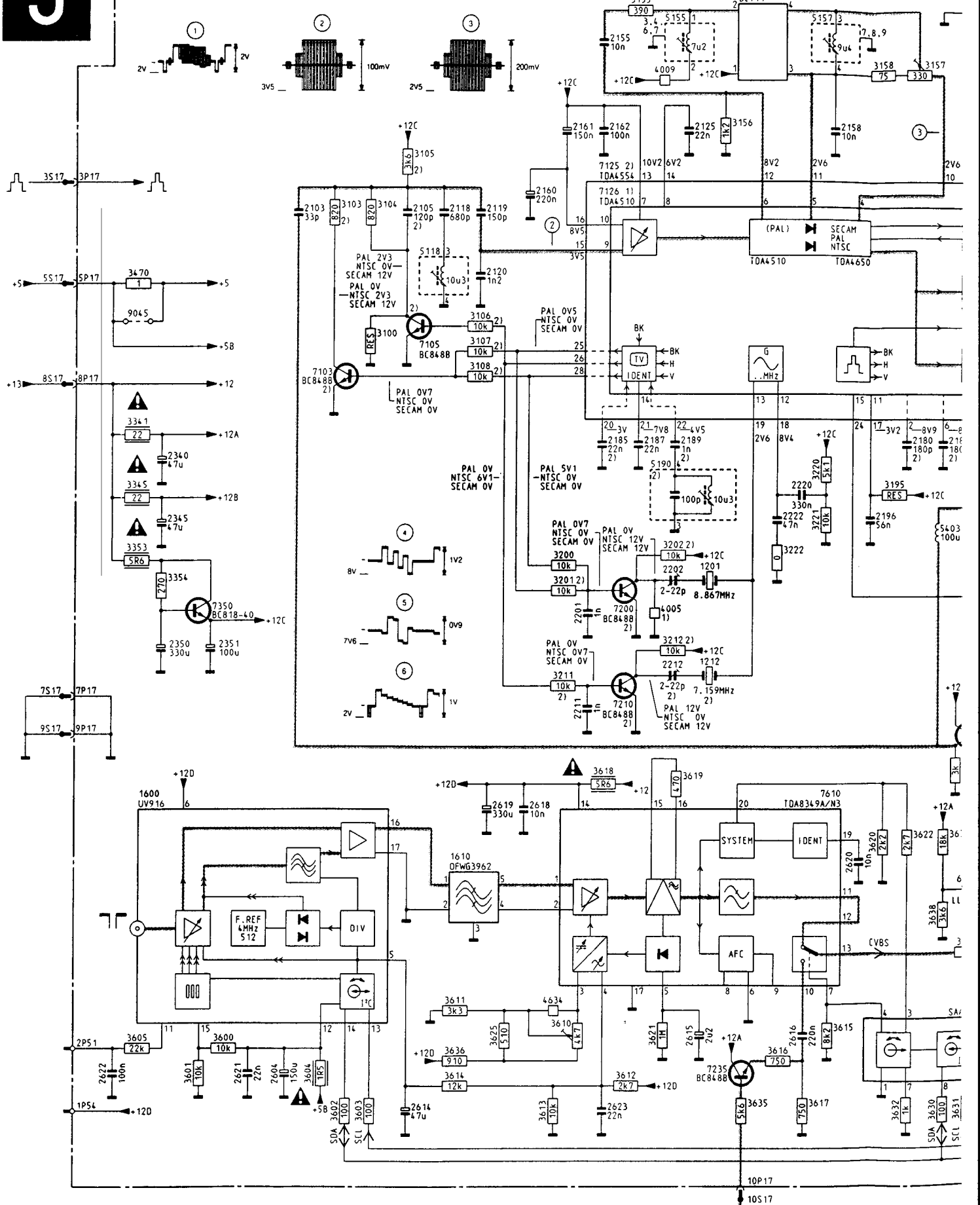
TP 25

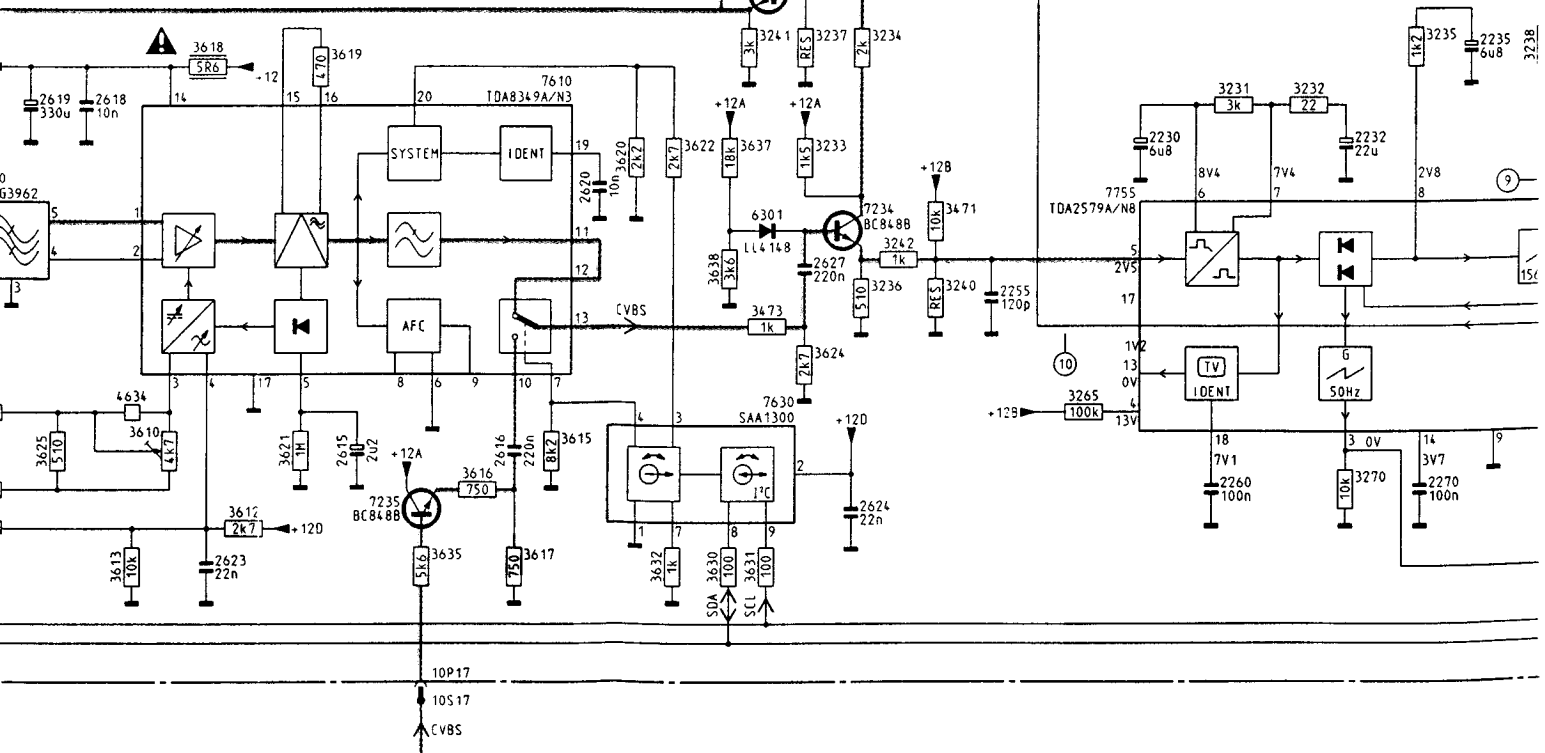
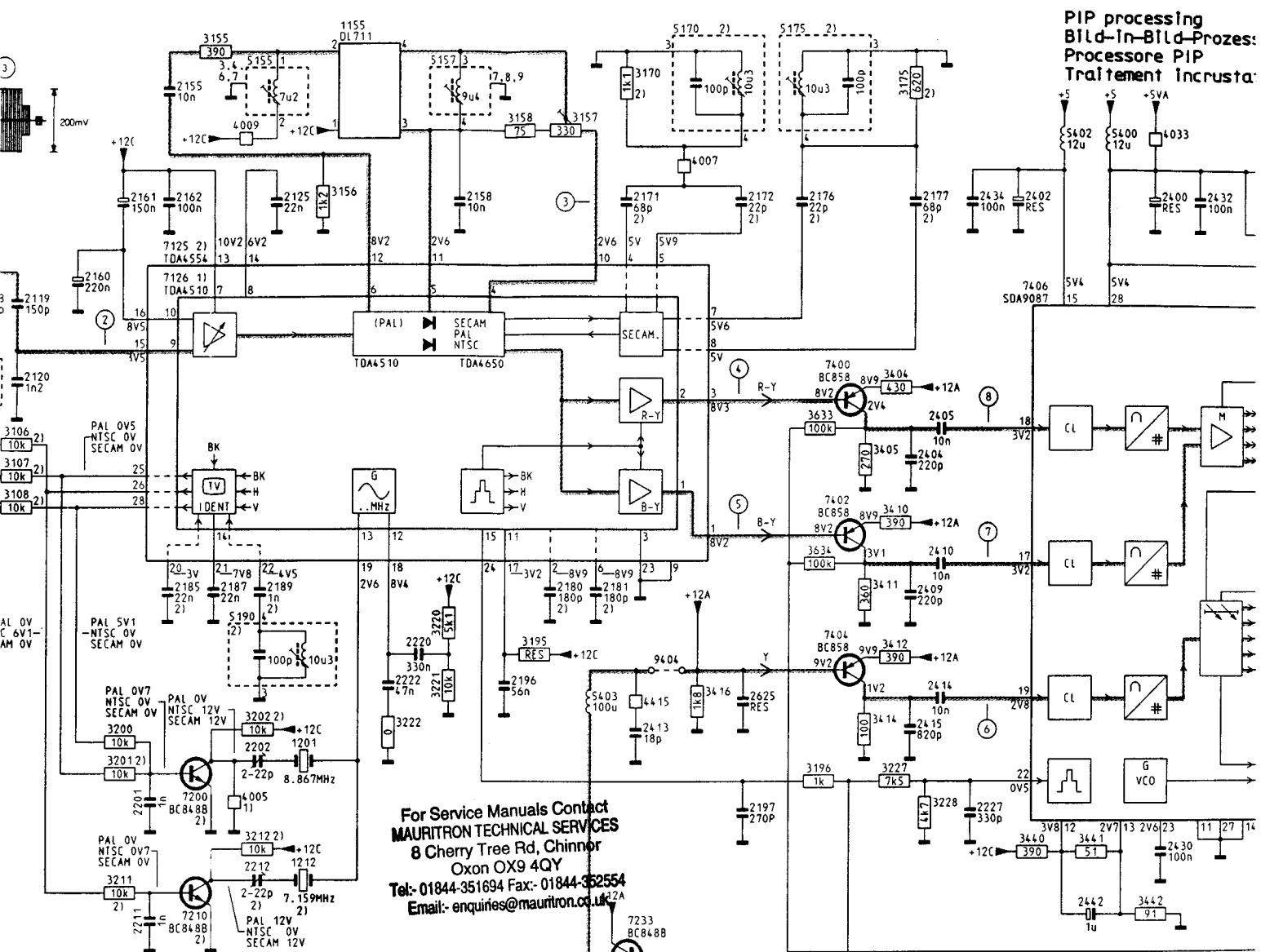
TP 25

TP 25

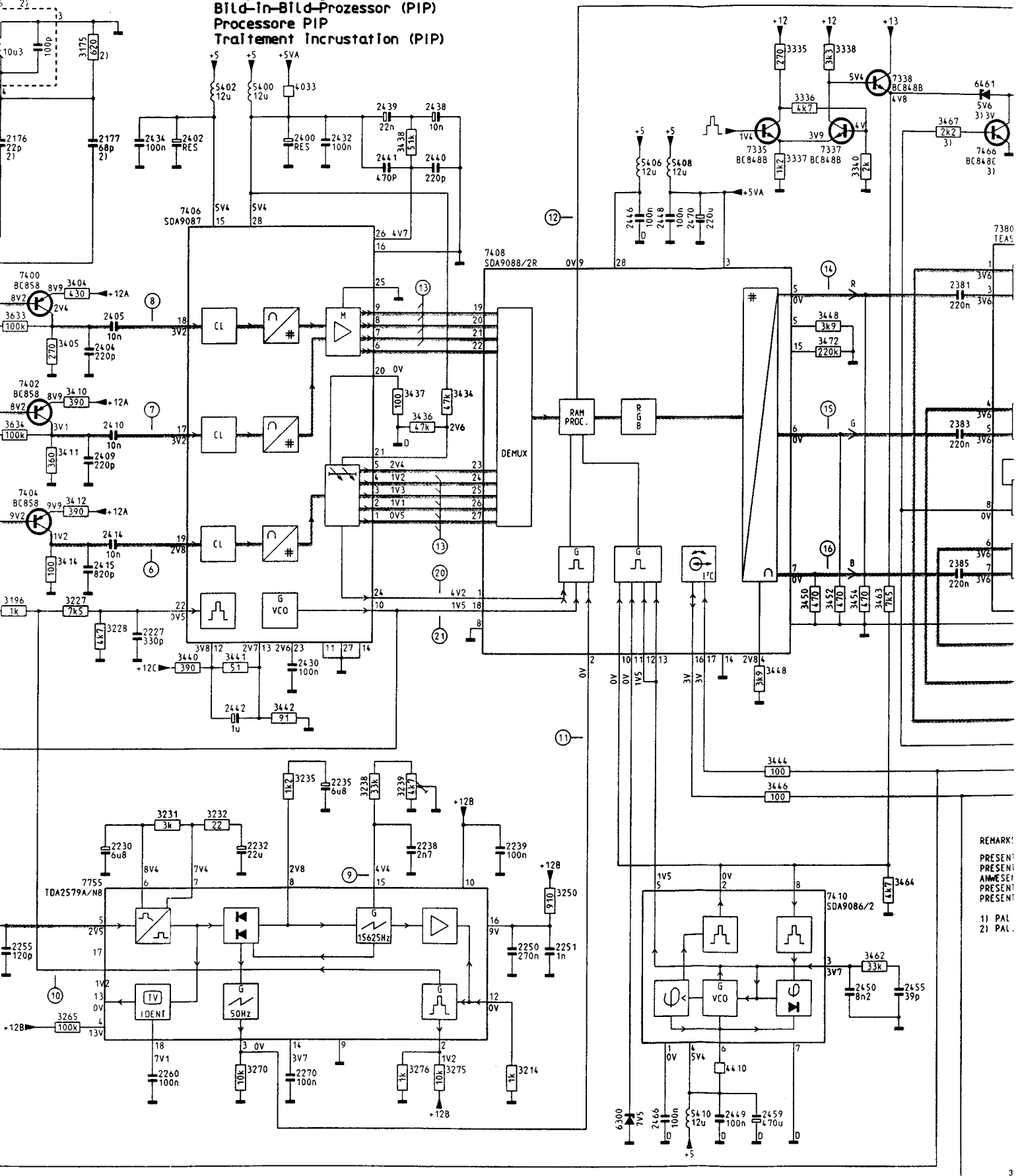


PIP-MODULE



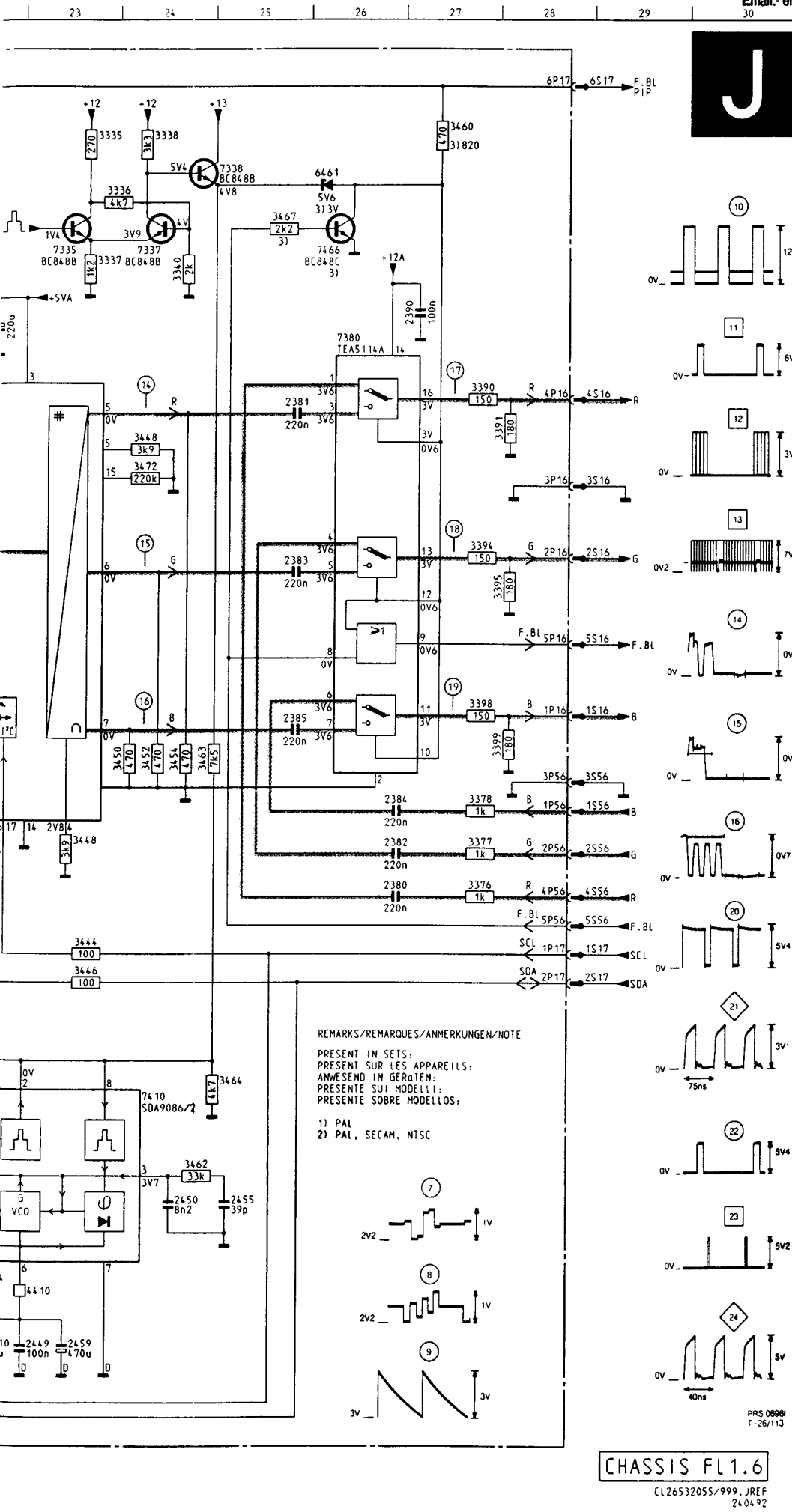


PIP processing
Bild-in-Bild-Processor (PIP)
Processore PIP
Traitement Incrustation (PIP)



REMARKS:
 PRESENT!
 PRESENT!
 AMMESI
 PRESENT!
 PRESENT!
 11 PAL
 21 PAL.

6.27 CHASSIS FL1.6



REMARKS/REMARQUES/ANMERKUNGEN/NOTE
 PRESENT IN SETS:
 PRESENT SUR LES APPAREILS:
 ANWESEND IN GERÄTEN:
 PRESENTE SUI MODELLI:
 PRESENTE SOBRE MODELLIOS:
 1) PAL
 2) PAL, SECAM, NTSC



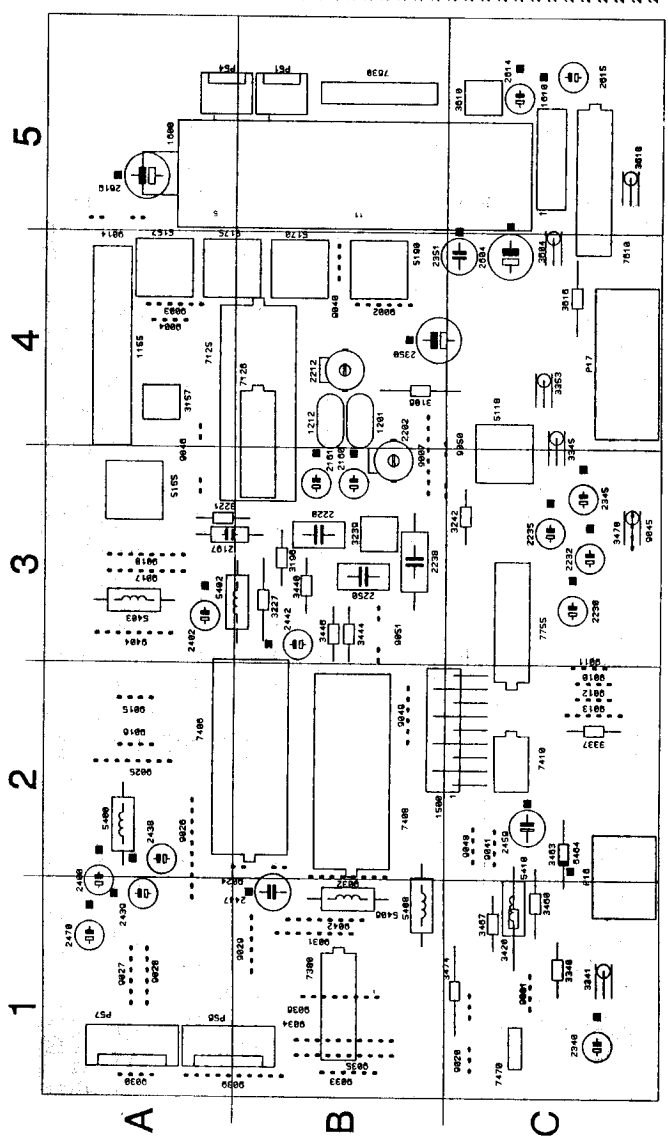
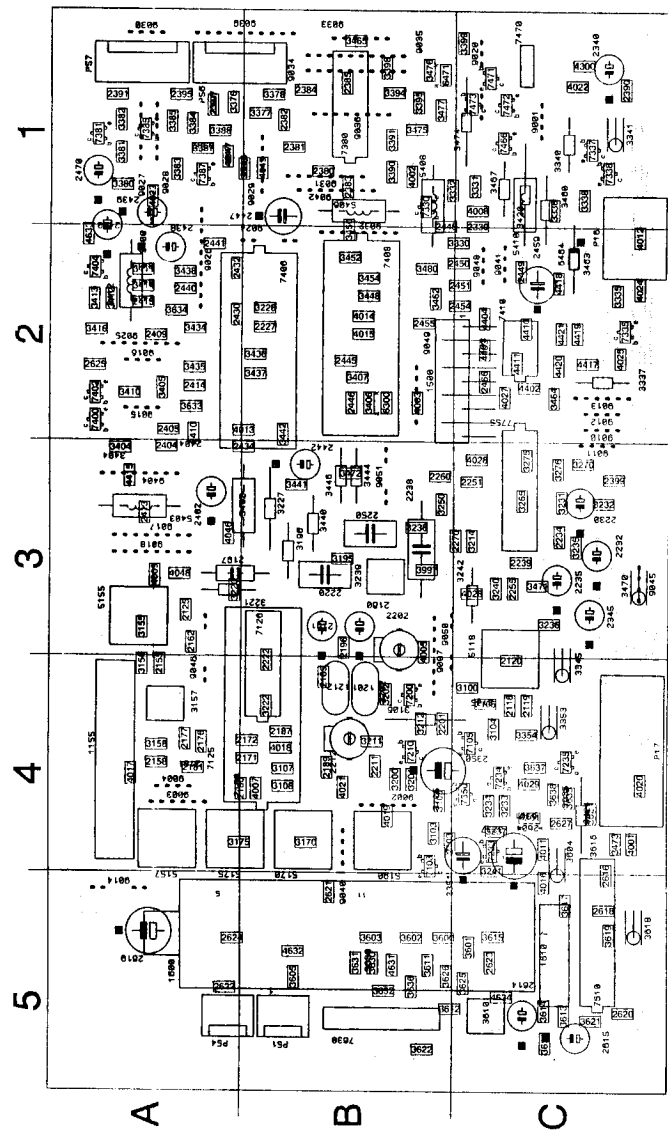
1155	A 9	3222	G10	54 10	N22
1201	H 9	3227	H15	6300	N21
1212	I 9	3228	H15	6301	K12
1600	J 2	3231	J16	6461	B26
1610	K 6	3232	J16	7103	E 4
2103	D 4	3233	K13	7105	E 5
2105	D 5	3234	J13	7125	C 8
2118	D 6	3235	J17	7126	C 8
2119	D 6	3236	L13	7200	H 8
2120	D 6	3237	J13	7210	I 8
2125	C 9	3238	J18	7233	I12
2155	B 8	3239	J19	7234	K13
2158	C11	3240	L14	7235	N 9
2160	C 7	3241	J12	7335	C23
2161	C 7	3242	L13	7337	C24
2162	C 8	3250	K21	7338	B25
2171	C12	3265	M15	7350	H 3
2172	C13	3270	M17	7380	D26
2176	C14	3275	M19	7400	D14
2177	C15	3276	M19	7402	E14
2180	F11	3335	A23	7404	G14
2181	F12	3336	B23	7406	C16
2185	F 8	3337	C23	7408	D20
2187	F 8	3338	A24	7410	K24
2189	F 9	3340	C24	7466	C26
2196	G11	3341	F 2	7610	J11
2197	H13	3345	G 2	7630	M12
2201	H 7	3353	G 2	7755	K15
2202	H 9	3354	H 2	9045	E 2
2211	I 7	3376	I27	9404	G13
2212	I 9	3377	I27		
2220	G10	3378	H27		
2222	G10	3390	D27		
2227	H16	3391	D28		
2230	K15	3394	F27		
2232	K17	3395	F28		
2235	J18	3398	G27		
2238	K19	3399	H28		
2239	K20	3404	D15		
2250	L20	3405	E15		
2251	L21	3410	F15		
2255	L14	3411	F15		
2260	M16	3412	G15		
2270	M17	3414	G15		
2340	F 2	3416	G13		
2345	G 2	3434	E19		
2350	I 2	3436	F19		
2351	I 3	3437	F19		
2380	I26	3438	C19		
2381	D25	3440	I16		
2382	I26	3441	I17		
2383	F25	3442	I17		
2384	H26	3444	J23		
2385	H25	3446	J23		
2390	C27	3448	I23		
2400	C17	3448	E24		
2402	C16	3450	H24		
2404	E15	3452	H24		
2405	E15	3454	H24		
2409	F15	3460	A27		
2410	F15	3462	L24		
2413	H12	3463	H24		
2414	G15	3464	K25		
2415	H15	3467	B25		
2430	I17	3470	D 2		
2432	C18	3471	K14		
2434	C16	3472	E24		
2438	B19	3473	L12		
2439	B18	3600	M 3		
2440	C19	3601	N 3		
2441	C18	3602	N 5		
2442	I17	3603	N 5		
2446	C21	3604	N 4		
2448	C22	3605	M 2		
2449	N23	3610	M 7		
2450	L24	3611	M 6		
2455	L25	3612	N 8		
2459	N23	3613	N 7		
2466	N22	3614	N 6		
2470	C22	3615	M11		
2604	N 4	3616	M10		
2614	N 5	3617	N10		
2615	M 9	3618	J 8		
2616	M10	3619	J 9		
2618	K 7	3620	K11		
2619	K 6	3621	H 8		
2620	K11	3622	K12		
2621	M 3	3624	L13		
2622	N 2	3625	M 6		
2623	N 8	3630	N12		
2624	N13	3631	N12		
2625	G13	3632	N11		
2627	L13	3633	E14		
3100	E 5	3634	F14		
3103	C 5	3635	N10		
3104	C 5	3636	M 6		
3105	C 5	3637	K12		
3106	E 6	3638	L12		
3107	E 6	4005	H 8		
3108	E 6	4007	B13		
3155	A 8	4009	B 8		
3156	B 9	4033	B17		
3157	B12	4410	M23		
3158	B11	4415	G12		
3170	A12	4634	M 7		
3175	A15	5118	D 5		
3195	G11	5155	A 8		
3196	H14	5157	A10		
3200	H 7	5170	A13		
3201	H 7	5175	A14		
3202	G 9	5190	G 8		
3211	I 7	5400	B17		
3212	I 9	5402	B16		
3214	M20	5403	G12		
3220	G10	5406	C21		
3221	G10	5408	C22		

CHASSIS FL1.6

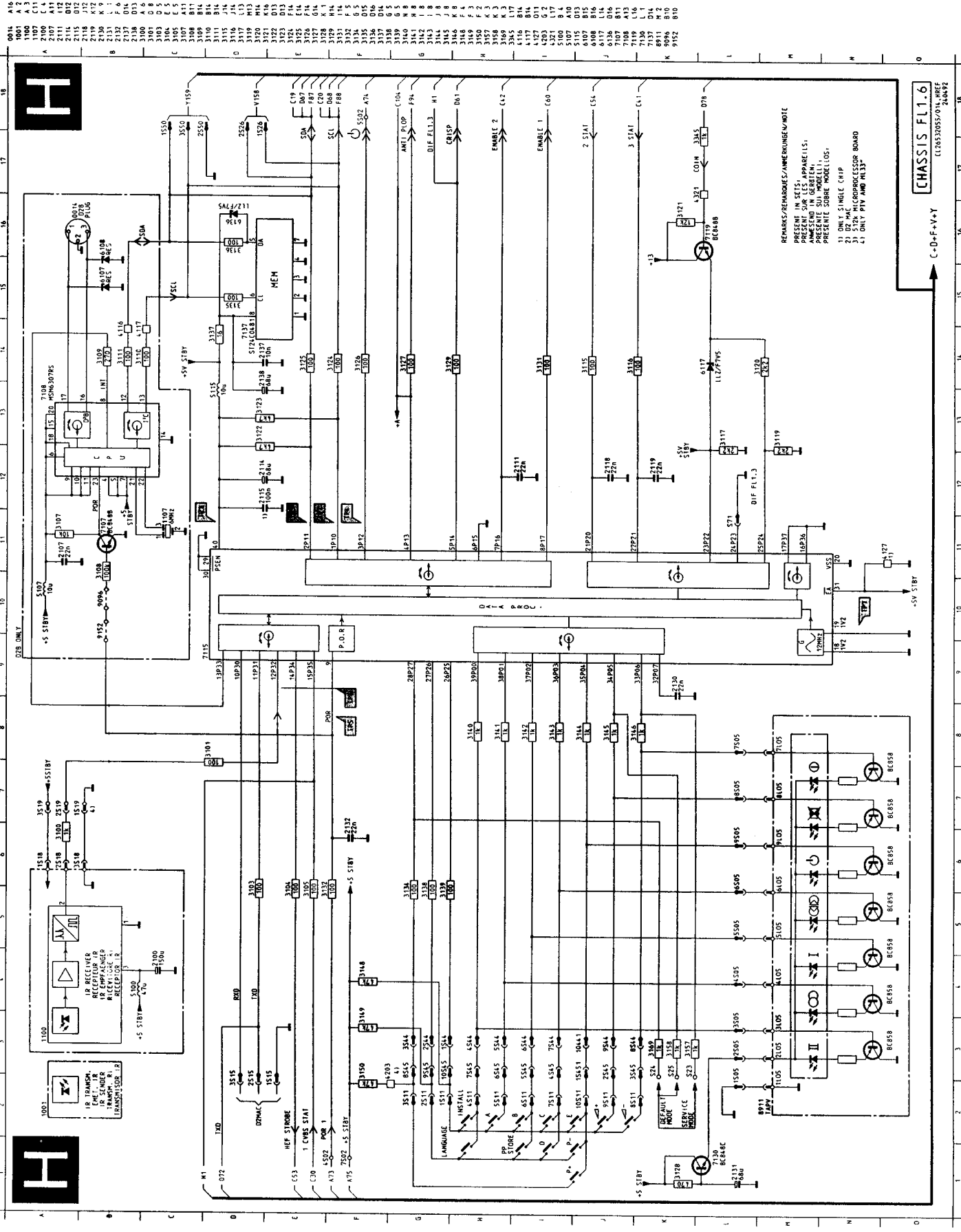
CL26532055/999, JREF
 24.04.92

PRS 06961
 T-28/113

For Service Manuals Contact MAURITRON TECHNICAL SERVICES 8 Cherry Tree Rd, Chinnor Oxon OX9 4QY Tel: 01844-351694 Fax: 01844-352554 Email: enquiries@mauritron.co.uk



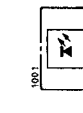
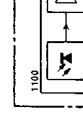
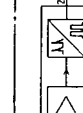
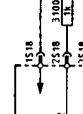
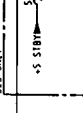
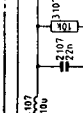
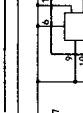
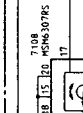
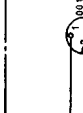
5410 C1	3615 C5	2432 A2	P16 C1
6300 B2	3336 C1	2434 A3	P17 C4
6301 C4	3337 C2	2436 A2	P51 B5
6464 C2	3338 C1	2438 A2	P54 A5
	3339 C2	2440 A2	P56 B1
	3340 C1	2441 A2	P57 A1
	3341 C1	2442 B3	1155 A4
	3342 C5	2443 B3	1201 B4
	3343 C4	2445 B2	1212 B4
	3344 C4	2446 B2	1500 B2
	3345 C4	2447 B2	1600 B5
	3346 C4	2448 B2	1610 C5
	3347 B1	2449 C2	2103 B4
	3348 B1	2450 B2	2105 C4
	3349 A1	2451 B2	2106 C4
	3350 B1	2452 B2	2108 C4
	3351 B2	2453 B2	2109 C4
	3352 B5	2454 B2	2120 C4
	3353 A2	2455 B2	2125 A3
	3354 A2	2456 C2	2158 A4
	3355 C2	2457 A1	2158 B4
	3356 C1	2458 C2	2160 B3
	3357 C1	2459 C2	2161 B3
	3358 A1	2460 C4	2162 A3
	3359 B4	2461 C5	2163 A3
	3360 B1	2462 A5	2171 A4
	3361 B1	2463 C5	2172 A4
	3362 B1	2464 A5	2176 A4
	3363 B1	2465 A2	2177 A4
	3364 B1	2466 C2	2180 A4
	3365 B5	2467 A1	2181 A4
	3366 B5	2468 C4	2185 B4
	3367 B5	2469 C4	2186 B4
	3368 B5	2470 A1	2189 B4
	3369 B3	2471 A4	2189 B4
	3370 B1	2472 A5	2195 B4
	3371 B1	2473 A4	2197 A3
	3372 B1	2474 A4	2201 B4
	3373 C1	2475 A4	2202 B4
	3374 C1	2476 A4	2202 B4
	3375 C1	2477 A4	2212 B4
	3376 A1	2478 A4	2212 B4
	3377 A1	2479 A4	2220 B3
	3378 A1	2480 A4	2220 B3
	3379 A1	2481 A4	2222 B4
	3380 A1	2482 A4	2227 B2
	3381 A1	2483 A4	2227 B2
	3382 A1	2484 A4	2230 C3
	3383 A1	2485 A4	2232 C3
	3384 A1	2486 A4	2234 C3
	3385 A1	2487 A4	2235 C3
	3386 A1	2488 A4	2236 C3
	3387 A1	2489 A4	2239 C3
	3388 A1	2490 A4	2250 B3
	3389 B1	2491 A4	2250 B3
	3390 B1	2492 A4	2251 C3
	3391 B1	2493 A4	2255 C3
	3392 B1	2494 A4	2260 B3
	3393 B1	2495 A4	2270 B3
	3394 B1	2496 A4	2300 C2
	3395 B1	2497 A4	2340 C1
	3396 B1	2498 A4	2345 C3
	3397 B1	2499 A4	2350 B4
	3398 B1	2500 A4	2351 B4
	3399 B1	2501 A4	2380 B1
	3400 B1	2502 A4	2381 B1
	3401 C3	2503 A4	2382 B1
	3402 C2	2504 A4	2383 B1
	3403 C2	2505 A4	2384 B1
	3404 B2	2506 A4	2385 B1
	3405 A2	2507 A4	2390 C1
	3406 A2	2508 A4	2391 A1
	3407 B2	2509 A4	2395 A1
	3408 A3	2510 A4	2395 A1
	3409 B1	2511 A4	2399 C3
	3410 A2	2512 A4	2400 A2
	3411 A2	2513 A4	2402 A3
	3412 A2	2514 A4	2404 A3
	3413 A2	2515 A4	2405 A2
	3414 A2	2516 A4	2409 A2
	3415 A2	2517 A4	2410 A3
	3416 A2	2518 A4	2413 A3
	3417 A2	2519 A4	2414 A2
	3418 A2	2520 A4	2415 A2
	3419 B4	2521 A4	2430 A2
	3420 C1	2522 A4	
	3421 C1	2523 A4	
	3422 C1	2524 A4	
	3423 A1	2525 A4	
	3424 A1	2526 A4	
	3425 A1	2527 A4	
	3426 A1	2528 A4	
	3427 A1	2529 A4	
	3428 A1	2530 A4	
	3429 A1	2531 A4	
	3430 A1	2532 A4	
	3431 A1	2533 A4	
	3432 A1	2534 A4	
	3433 A1	2535 A4	
	3434 A1	2536 A4	
	3435 A2	2537 A4	
	3436 B2	2538 A4	
	3437 B2	2539 A4	
	3438 A2	2540 A4	
	3439 A2	2541 A4	
	3440 B3	2542 A4	
	3441 B3	2543 A4	
	3442 B3	2544 A4	
	3443 B3	2545 A4	
	3444 B3	2546 A4	
	3445 B3	2547 A4	
	3446 B3	2548 A4	
	3447 A1	2549 A4	
	3448 B2	2550 A4	
	3449 B1	2551 A4	
	3450 B2	2552 A4	
	3451 B2	2553 A4	
	3452 B2	2554 A4	
	3453 B2	2555 A4	
	3454 B2	2556 A4	
	3455 B2	2557 A4	
	3456 B2	2558 A4	
	3457 B2	2559 A4	
	3458 B2	2560 A4	
	3459 B2	2561 A4	
	3460 C1	2562 A4	
	3461 C1	2563 A4	
	3462 B2	2564 A4	
	3463 B2	2565 A4	
	3464 C2	2566 A4	
	3465 B1	2567 A4	
	3466 C2	2568 A4	
	3467 C1	2569 A4	
	3468 B2	2570 A4	
	3469 B2	2571 A4	
	3470 C3	2572 A4	
	3471 C3	2573 A4	
	3472 B3	2574 A4	
	3473 B3	2575 A4	
	3474 B3	2576 A4	
	3475 B3	2577 A4	
	3476 B1	2578 A4	
	3477 B1	2579 A4	
	3478 B1	2580 A4	
	3479 B1	2581 A4	
	3480 B2	2582 A4	
	3481 B2	2583 A4	
	3482 B2	2584 A4	
	3483 B2	2585 A4	
	3484 B2	2586 A4	
	3485 B2	2587 A4	
	3486 B2	2588 A4	
	3487 B2	2589 A4	
	3488 B2	2590 A4	
	3489 B2	2591 A4	
	3490 B2	2592 A4	
	3491 B2	2593 A4	
	3492 B2	2594 A4	
	3493 B2	2595 A4	
	3494 B2	2596 A4	
	3495 B2	2597 A4	
	3496 B2	2598 A4	
	3497 B2	2599 A4	
	3498 B2	2600 A4	
	3499 B2	2601 A4	
	3500 B2	2602 A4	
	3501 B2	2603 A4	
	3502 B2	2604 A4	
	3503 B2	2605 A4	
	3504 B2	2606 A4	
	3505 B2	2607 A4	
	3506 B2	2608 A4	
	3507 B2	2609 A4	
	3508 B2	2610 A4	
	3509 B2	2611 A4	
	3510 B2	2612 A4	
	3511 B2	2613 A4	
	3512 B2	2614 A4	
	3513 B2	2615 A4	
	3514 B2	2616 A4	
	3515 B2	2617 A4	
	3516 B2	2618 A4	
	3517 B2	2619 A4	
	3518 B2	2620 A4	
	3519 B2	2621 A4	
	3520 B2	2622 A4	
	3521 B2	2623 A4	
	3522 B2	2624 A4	
	3523 B2	2625 A4	
	3524 B2	2626 A4	
	3525 B2	2627 A4	
	3526 B2	2628 A4	
	3527 B2	2629 A4	
	3528 B2	2630 A4	
	3529 B2	2631 A4	
	3530 B2	2632 A4	
	3531 B2	2633 A4	
	3532 B2	2634 A4	
	3533 B2	2635 A4	
	3534 B2	2636 A4	
	3535 B2	2637 A4	
	3536 B2	2638 A4	
	3537 B2	2639 A4	
	3538 B2	2640 A4	
	3539 B2	2641 A4	
	3540 B2	2642 A4	
	3541 B2	2643 A4	
	3542 B2	2644 A4	
	3543 B2	2645 A4	
	3544 B2	2646 A4	
	3545 B2	2647 A4	
	3546 B2	2648 A4	
	3547 B2	2649 A4	
	3548 B2	2650 A4	
	3549 B2	2651 A4	
	3550 B2	2652 A4	
	3551 B2	2653 A4	
	3552 B2	2654 A4	
	3553 B2	2655 A4	
	3554 B2	2656 A4	
	3555 B2	2657 A4	
	3556 B2	2658 A4	
	3557 B2	2659 A4	
	3558 B2	2660 A4	
	3559 B2	2661 A4	
	3560 B2	2662 A4	
	3561 B2	2663 A4	
	3562 B2	2664 A4	
	3563 B2	2665 A4	
	3564 B2	2666 A4	
	3565 B2	2667 A4	
	3566 B2	2668 A4	
	3567 B2	2669 A4	
	3568 B2	2670 A4	
	3569 B2	2671 A4	
	3570 B2	2672 A4	
	3571 B2	2673 A4	
	3572 B2	2674 A4	
	3573 B2	2675 A4	
	3574 B2	2676 A4	
	3575 B2	2677 A4	
	3576 B2	2678 A4	
	3577 B2	2679 A4	
	3578 B2	2680 A4	
	3579 B2	2681 A4	
	3580 B2	2682 A4	
	3581 B2	2683 A4	
	3582 B2	2684 A4	
	3583 B2	2685 A4	
	3584 B2	2686 A4	
	3585 B2	2687 A4	
	3586 B2	2688 A4	
	3587 B2	2689 A4	
	3588 B2	2690 A4	
	3589 B2	2691 A4	
	3590 B2	2692 A4	
	3591 B2	2693 A4	
	3592 B2	2694 A4	
	3593 B2	2695 A4	
	3594 B2	2696 A4	
	3595 B2	2697 A4	
	3596 B2	2698 A4	
	3597 B2	2699 A4	
	3598 B2	2700 A4	
	3599 B2	2701 A4	
	3600 B2	2702 A4	
	3601 B2	2703 A4	
	3602 B2	2704 A4	
	3603 B2	2705 A4	
	3604 B2	2706 A4	
	3605 B2	2707 A4	
	3606 B2	2708 A4	
	3607 B2	2709 A4	
	3608 B2	2710 A4	
	3609 B2	2711 A4	
	3610 B2	2712 A4	
	3611 B2	2713 A4	
	3612 B2	2714 A4	
	3613 B2	2715 A4	
	3614 B2	2716 A4	
	3615 B2	2717 A4	
	3616 B2	2718 A4	
	3617 B2	2719 A4	
	3618 B2	2720 A4	
	3619 B2	2721 A4	
	3620 B2	2722 A4	
	3621 B2	2723 A4	
	3622 B2	2724 A4	
	3623 B2	2725 A4	
	3624 B2	2726 A4	
	3625 B2	2727 A4	
	3626 B2	2728 A4	
	3627 B2	2729 A4	
	3628 B2	2730 A4	
	3629 B2	2731 A4	
	3630 B2	2732 A4	
	3631 B2	2733 A4	
	3632 B2	2734 A4	
	3633 B2	2735 A4	
	3634 B2	2736 A4	
	3635 B2	2737 A4	
	3636 B2	2738 A4	
	3637 B2	2739 A4	
	3638 B2	2740 A4	
	3639 B2	2741 A4	
	3640 B2	2742 A4	
	3641 B2	2743 A4	
	3642 B2	2744 A4	
	3643 B2	2745 A4	
	3644 B2	2746 A4	
	3645 B2	2747 A4	
	3646 B2	2748 A4	
	3647 B2	2749 A4	
	3648 B2	2750 A4	
	3649 B2	2751 A4	
	3650 B2	2752 A4	
	3651 B2	2753 A4	
	3652 B2	2754 A4	
	3653 B2	2755 A4	
	3654 B2	2756 A4	
	3655 B2	2757 A4	
	3656 B2	2758 A4	
	3657 B2	2759 A4	
	3658 B2		



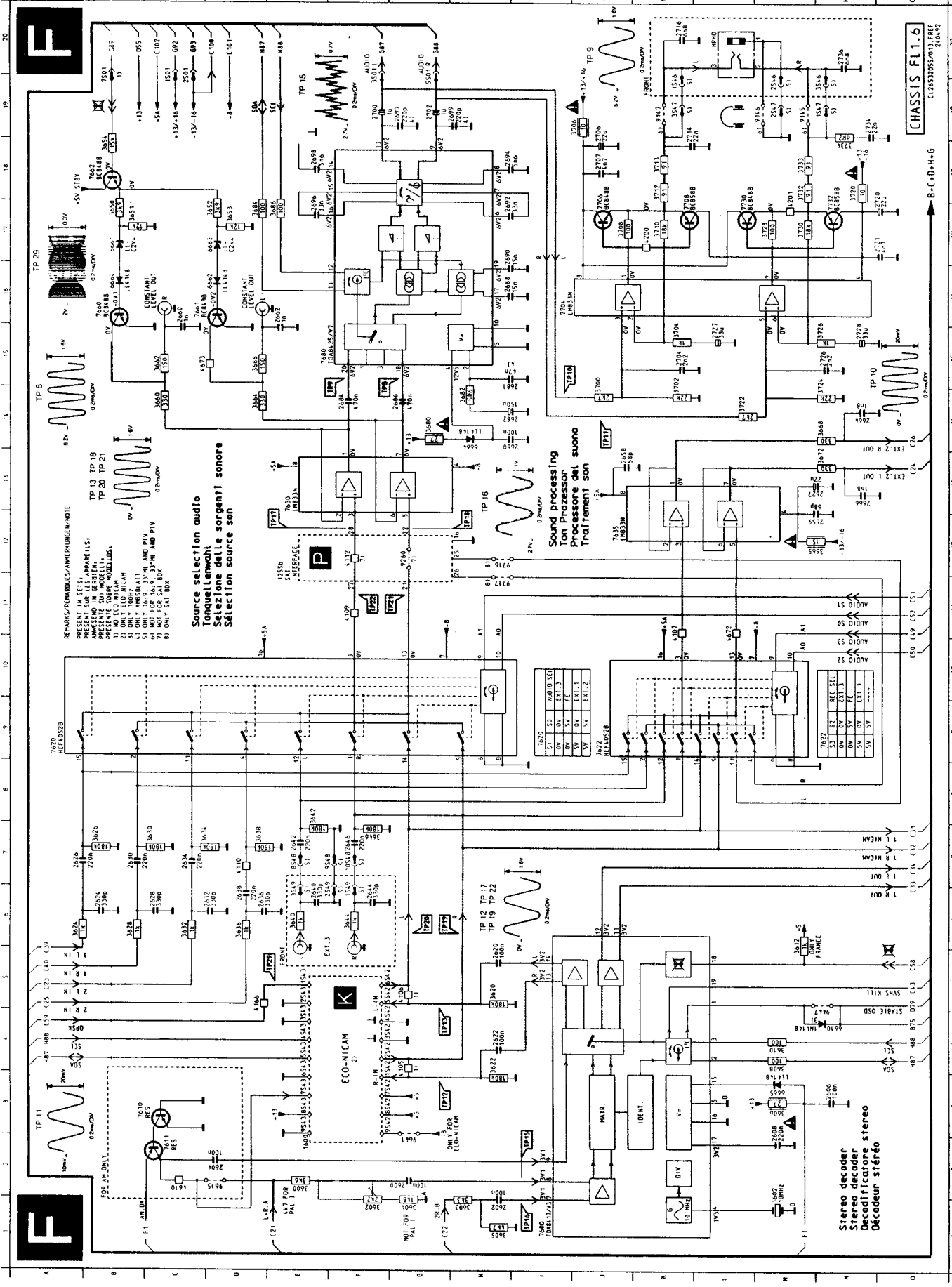
REMARKS/REMARQUES/ANMERKUNGEN/NOTE
 PRESENT IN SETS.
 PRESENT SUR LES APPAREILS.
 PRESENT IN GERMAN.
 PRESENTI NELLA VERSIONE ITALIANA.
 PRESENTE SOTTO MODELLO 105.
 1) ONLY SINGLE CHIP
 2) 02 MAC MICROPROCESSOR BOARD
 3) ONLY PTV AMP PL33

CHASSIS FL1.6
 C10032005/01L/REF
 240492

A16	001
A3	1100
A5	1107
C4	2100
C11	2107
C14	2111
C12	2112
C10	2114
C13	2115
C15	2116
C16	2117
C17	2118
C18	2119
C19	2120
C20	2121
C21	2122
C22	2123
C23	2124
C24	2125
C25	2126
C26	2127
C27	2128
C28	2129
C29	2130
C30	2131
C31	2132
C32	2133
C33	2134
C34	2135
C35	2136
C36	2137
C37	2138
C38	2139
C39	2140
C40	2141
C41	2142
C42	2143
C43	2144
C44	2145
C45	2146
C46	2147
C47	2148
C48	2149
C49	2150
C50	2151
C51	2152
C52	2153
C53	2154
C54	2155
C55	2156
C56	2157
C57	2158
C58	2159
C59	2160
C60	2161
C61	2162
C62	2163
C63	2164
C64	2165
C65	2166
C66	2167
C67	2168
C68	2169
C69	2170
C70	2171
C71	2172
C72	2173
C73	2174
C74	2175
C75	2176
C76	2177
C77	2178
C78	2179
C79	2180
C80	2181
C81	2182
C82	2183
C83	2184
C84	2185
C85	2186
C86	2187
C87	2188
C88	2189
C89	2190
C90	2191
C91	2192
C92	2193
C93	2194
C94	2195
C95	2196
C96	2197
C97	2198
C98	2199
C99	2200
C100	2201



1255	E11	L110	0.7
1256	K	L112	0.2
1257	M	L114	0.2
1260	G	L200	R17
2602	K	L201	R17
2603	K	L202	R17
2608	M	L203	C15
2620	M	L204	R1
2621	M	L205	R1
2624	B	L206	R17
2626	A	L207	R17
2627	M	L208	R17
2628	B	L209	R17
2630	B	L210	R17
2632	D	L211	R17
2634	D	L212	R17
2636	D	L213	R17
2638	D	L214	R17
2640	D	L215	R17
2642	F	L216	R17
2644	F	L217	R17
2646	F	L218	R17
2648	F	L219	R17
2650	F	L220	R17
2652	F	L221	R17
2654	F	L222	R17
2656	F	L223	R17
2658	F	L224	R17
2660	F	L225	R17
2662	F	L226	R17
2664	F	L227	R17
2666	F	L228	R17
2668	F	L229	R17
2670	F	L230	R17
2672	F	L231	R17
2674	F	L232	R17
2676	F	L233	R17
2678	F	L234	R17
2680	F	L235	R17
2682	F	L236	R17
2684	F	L237	R17
2686	F	L238	R17
2688	F	L239	R17
2690	F	L240	R17
2692	F	L241	R17
2694	F	L242	R17
2696	F	L243	R17
2698	F	L244	R17
2699	F	L245	R17
2700	F	L246	R17
2702	F	L247	R17
2704	F	L248	R17
2706	F	L249	R17
2708	F	L250	R17
2710	F	L251	R17
2712	F	L252	R17
2714	F	L253	R17
2716	F	L254	R17
2718	F	L255	R17
2720	F	L256	R17
2722	F	L257	R17
2724	F	L258	R17
2726	F	L259	R17
2728	F	L260	R17
2730	F	L261	R17
2732	F	L262	R17
2734	F	L263	R17
2736	F	L264	R17
2738	F	L265	R17
2740	F	L266	R17
2742	F	L267	R17
2744	F	L268	R17
2746	F	L269	R17
2748	F	L270	R17
2750	F	L271	R17
2752	F	L272	R17
2754	F	L273	R17
2756	F	L274	R17
2758	F	L275	R17
2760	F	L276	R17
2762	F	L277	R17
2764	F	L278	R17
2766	F	L279	R17
2768	F	L280	R17
2770	F	L281	R17
2772	F	L282	R17
2774	F	L283	R17
2776	F	L284	R17
2778	F	L285	R17
2780	F	L286	R17
2782	F	L287	R17
2784	F	L288	R17
2786	F	L289	R17
2788	F	L290	R17
2790	F	L291	R17
2792	F	L292	R17
2794	F	L293	R17
2796	F	L294	R17
2798	F	L295	R17
2800	F	L296	R17
2802	F	L297	R17
2804	F	L298	R17
2806	F	L299	R17
2808	F	L300	R17
2810	F	L301	R17
2812	F	L302	R17
2814	F	L303	R17
2816	F	L304	R17
2818	F	L305	R17
2820	F	L306	R17
2822	F	L307	R17
2824	F	L308	R17
2826	F	L309	R17
2828	F	L310	R17
2830	F	L311	R17
2832	F	L312	R17
2834	F	L313	R17
2836	F	L314	R17
2838	F	L315	R17
2840	F	L316	R17
2842	F	L317	R17
2844	F	L318	R17
2846	F	L319	R17
2848	F	L320	R17
2850	F	L321	R17
2852	F	L322	R17
2854	F	L323	R17
2856	F	L324	R17
2858	F	L325	R17
2860	F	L326	R17
2862	F	L327	R17
2864	F	L328	R17
2866	F	L329	R17
2868	F	L330	R17
2870	F	L331	R17
2872	F	L332	R17
2874	F	L333	R17
2876	F	L334	R17
2878	F	L335	R17
2880	F	L336	R17
2882	F	L337	R17
2884	F	L338	R17
2886	F	L339	R17
2888	F	L340	R17
2890	F	L341	R17
2892	F	L342	R17
2894	F	L343	R17
2896	F	L344	R17
2898	F	L345	R17
2900	F	L346	R17
2902	F	L347	R17
2904	F	L348	R17
2906	F	L349	R17
2908	F	L350	R17
2910	F	L351	R17
2912	F	L352	R17
2914	F	L353	R17
2916	F	L354	R17
2918	F	L355	R17
2920	F	L356	R17
2922	F	L357	R17
2924	F	L358	R17
2926	F	L359	R17
2928	F	L360	R17
2930	F	L361	R17
2932	F	L362	R17
2934	F	L363	R17
2936	F	L364	R17
2938	F	L365	R17
2940	F	L366	R17
2942	F	L367	R17
2944	F	L368	R17
2946	F	L369	R17
2948	F	L370	R17
2950	F	L371	R17
2952	F	L372	R17
2954	F	L373	R17
2956	F	L374	R17
2958	F	L375	R17
2960	F	L376	R17
2962	F	L377	R17
2964	F	L378	R17
2966	F	L379	R17
2968	F	L380	R17
2970	F	L381	R17
2972	F	L382	R17
2974	F	L383	R17
2976	F	L384	R17
2978	F	L385	R17
2980	F	L386	R17
2982	F	L387	R17
2984	F	L388	R17
2986	F	L389	R17
2988	F	L390	R17
2990	F	L391	R17
2992	F	L392	R17
2994	F	L393	R17
2996	F	L394	R17
2998	F	L395	R17
3000	F	L396	R17



CHASSIS FL1.6
C1653055/013.PREF
20.6.72

B-C-D-H-G

TP 10

TP 11

TP 12

TP 13

TP 15

TP 16

TP 17

TP 18

TP 19

TP 20

TP 21

TP 22

TP 23

TP 24

TP 25

TP 26

TP 27

TP 28

TP 29

TP 30

TP 31

TP 32

TP 33

TP 34

TP 35

TP 36

TP 37

TP 38

TP 39

TP 40

TP 41

TP 42

TP 43

TP 44

TP 45

TP 46

TP 47

TP 48

TP 49

TP 50

TP 51

TP 52

TP 53

TP 54

TP 55

TP 56

TP 57

TP 58

TP 59

TP 60

TP 61

TP 62

TP 63

TP 64

TP 65

TP 66

TP 67

TP 68

TP 69

TP 70

TP 71

TP 72

TP 73

TP 74

TP 75

TP 76

TP 77

TP 78

TP 79

TP 80

TP 81

TP 82

TP 83

TP 84

TP 85

TP 86

TP 87

TP 88

TP 89

TP 90

TP 91

TP 92

TP 93

TP 94

TP 95

TP 96

TP 97

TP 98

TP 99

TP 100

TP 101

TP 102

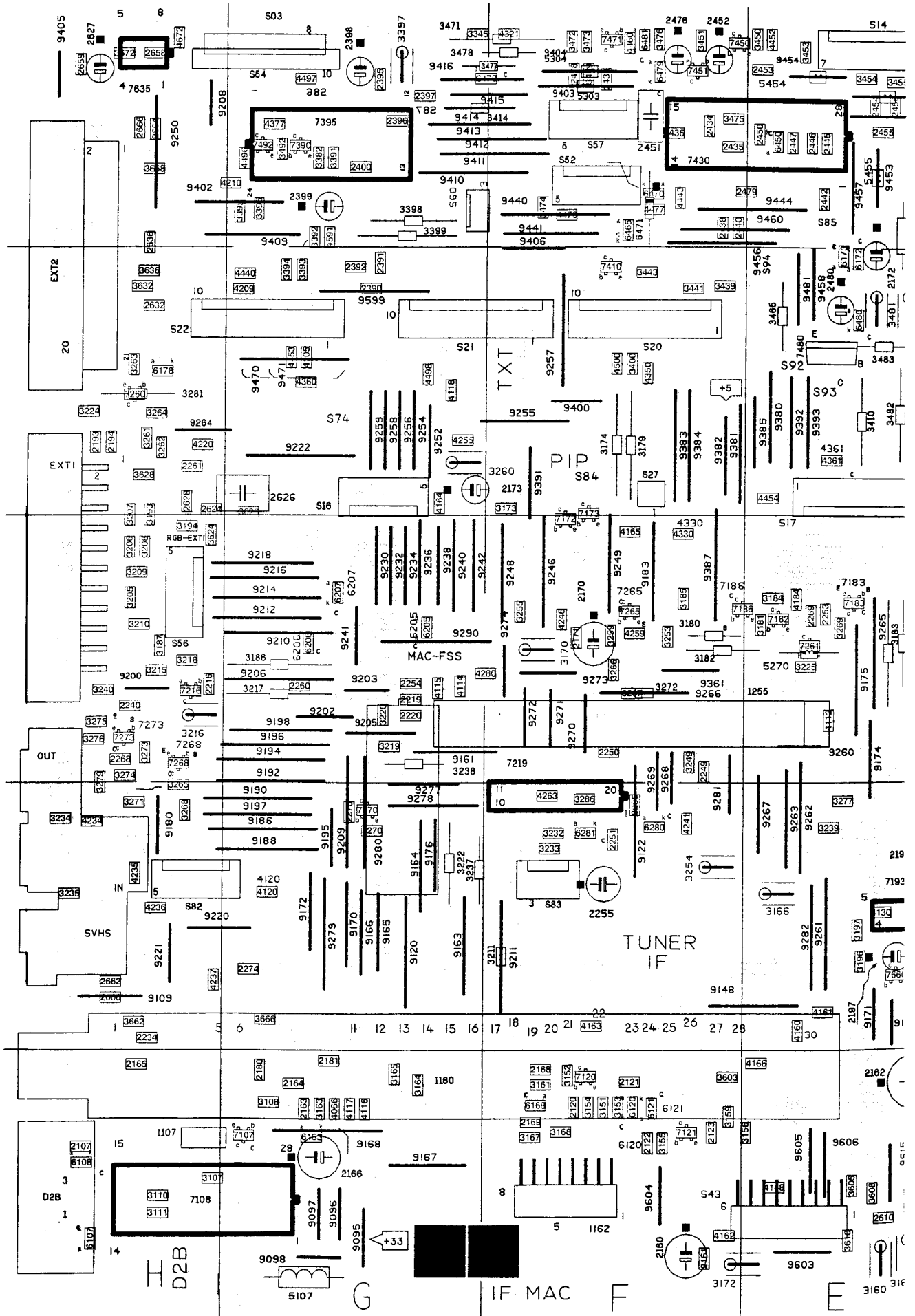
TP 103

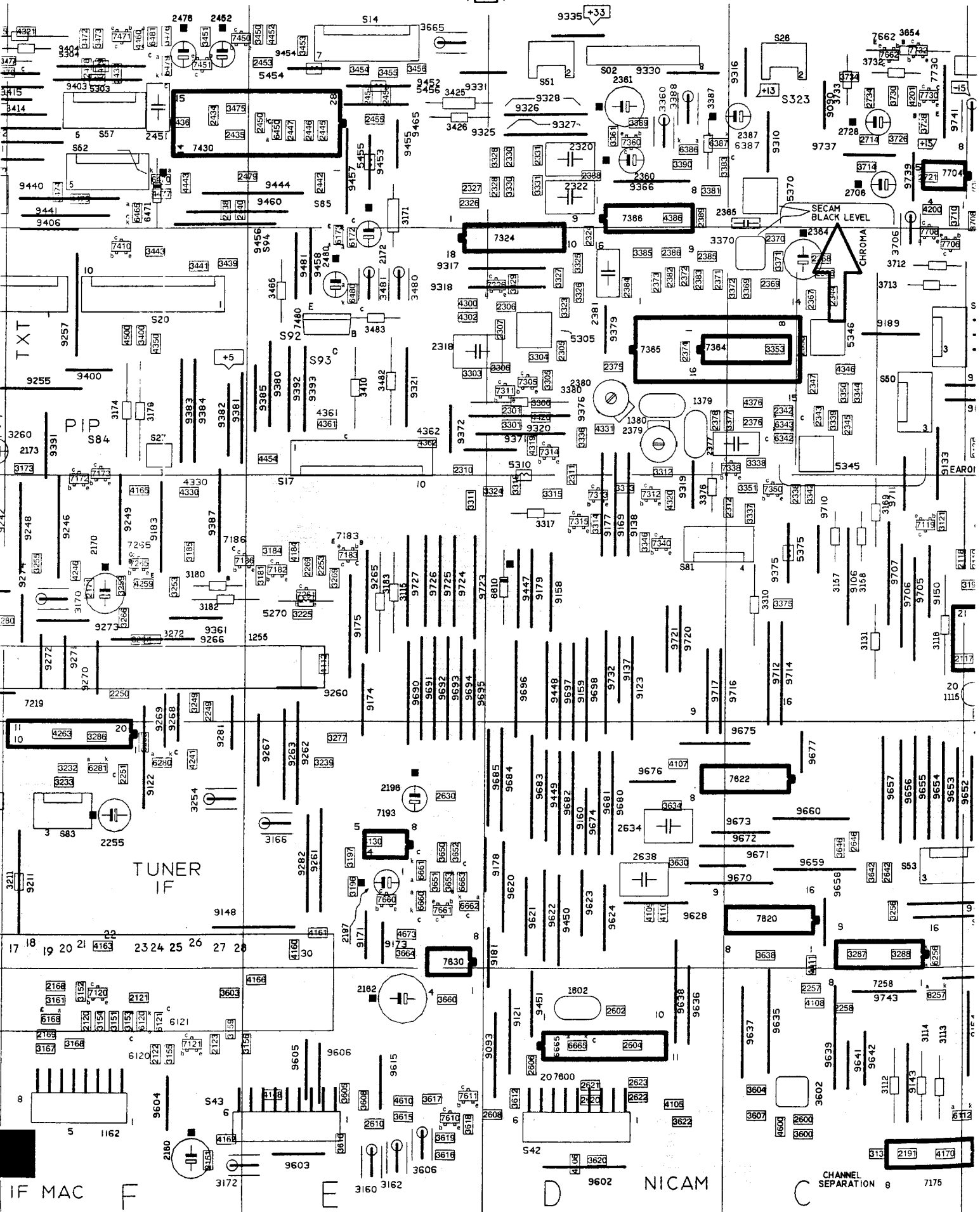
TP 104

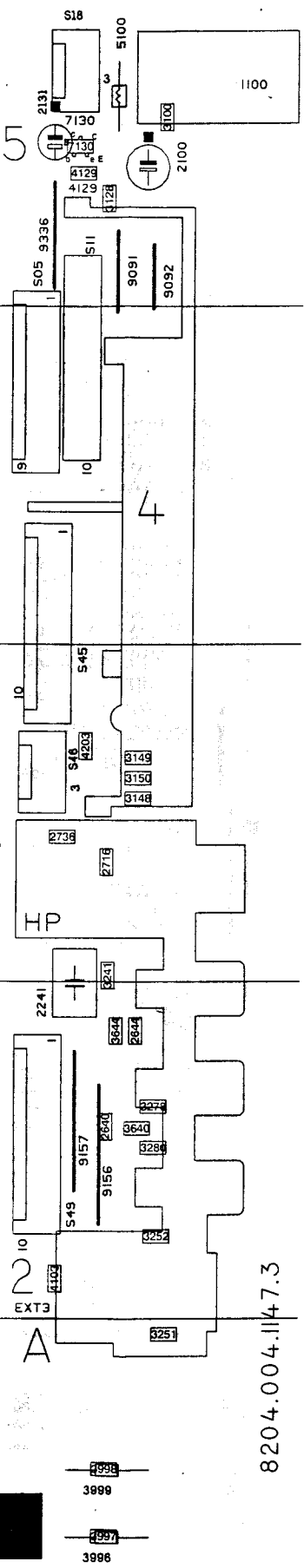
TP 105

TP 106

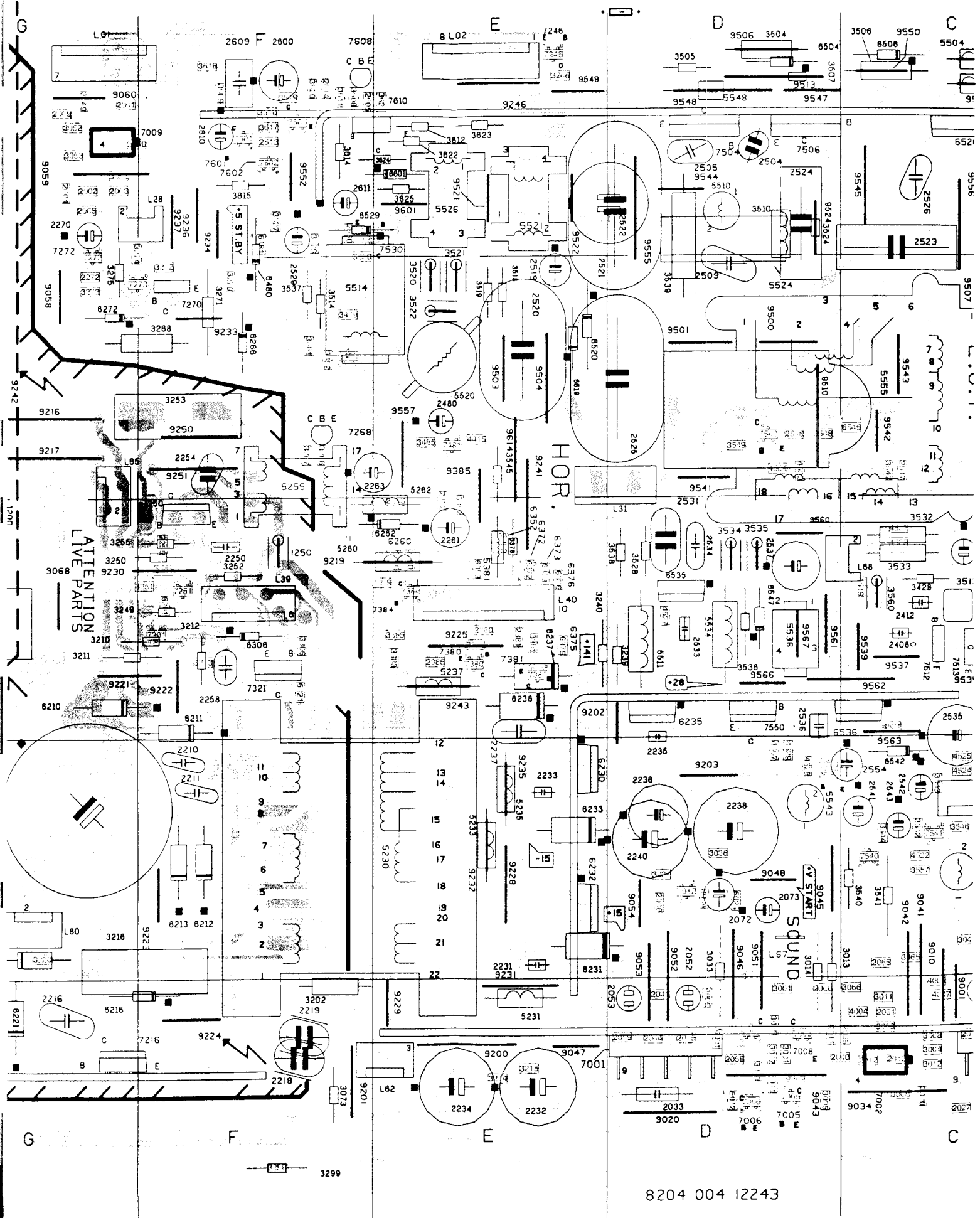
TP 107

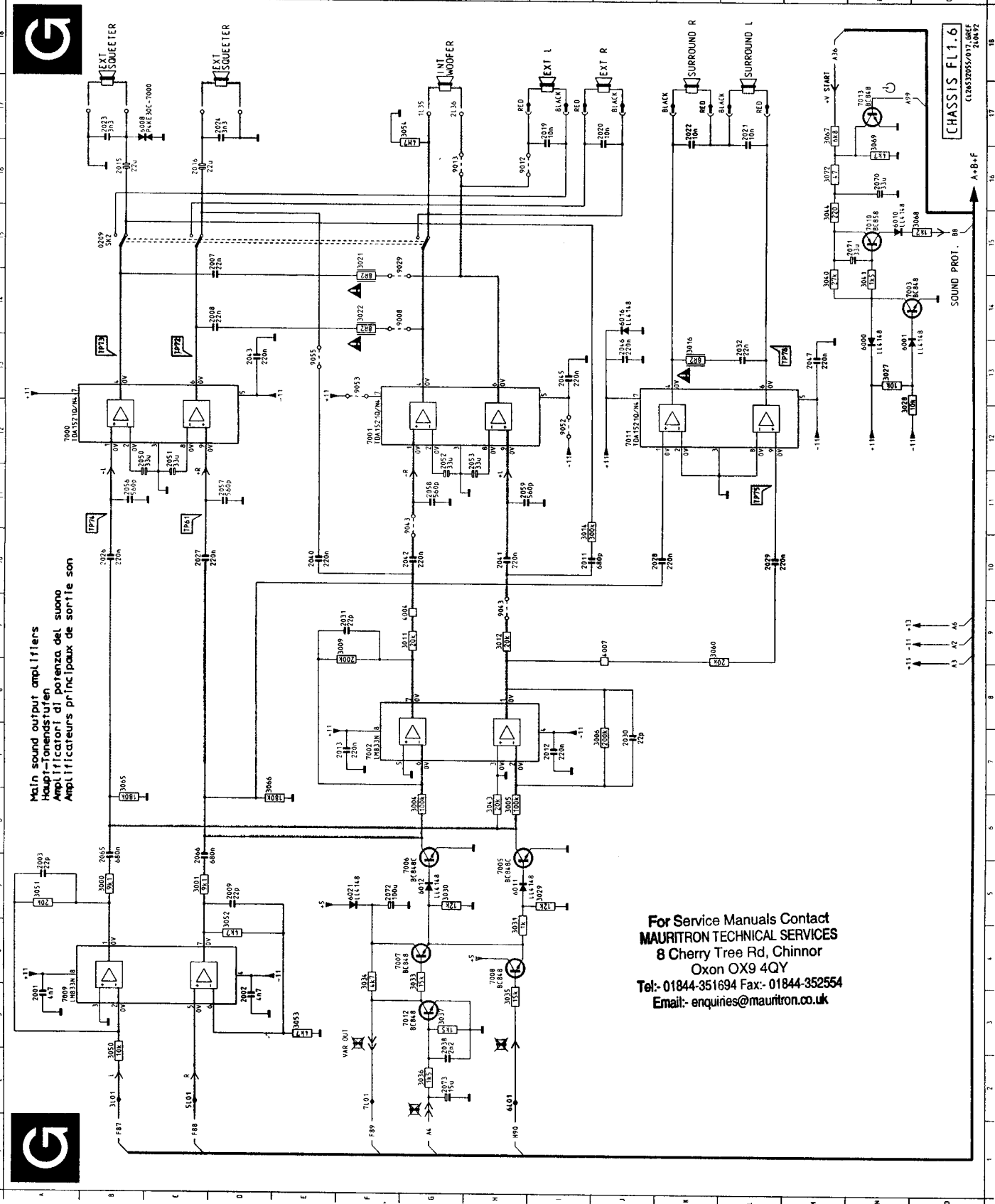




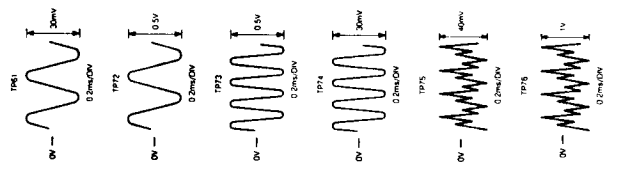


D2B H1	2180 G1	2392 G4	3102 B3	3189 B1	3310 C3	3604 C1	4162 F1	6173 E4	7622 C2	9175 E3	9330 D5	9671 D2
EXT1 H3	2181 G1	2395 G6	3103 B3	3190 B1	3311 E3	3605 E1	4163 F2	6178 H4	7630 E1	9176 G2	9331 E5	9672 C2
EXT2 H4	2188 B1	2396 G6	3104 B2	3191 B1	3312 D4	3606 E1	4164 G4	6205 G3	7635 H5	9177 D3	9335 D6	9673 C2
EXT3 A3	2189 B1	2397 G6	3105 B1	3192 B1	3313 D3	3607 C1	4165 F3	6206 G3	7660 E2	9178 D2	9336 A6	9674 D2
SVHS H2	2190 B1	2398 G6	3106 B2	3193 H4	3314 D3	3608 E1	4166 E1	6207 G3	7661 E2	9179 D3	9361 F3	9676 D2
S01 B5	2191 C1	2399 G5	3107 H1	3194 H3	3315 D3	3610 E1	4170 C1	6256 C2	7662 C5	9180 H2	9366 D6	9676 D2
S02 D5	2193 H4	2400 G5	3108 G1	3195 B3	3316 D3	3612 D1	4171 B1	6257 C1	7680 B5	9181 D2	9371 D4	9677 C2
S03 H5	2194 H4	2433 F5	3109 B1	3196 E2	3317 D3	3615 E1	4184 E3	6280 F2	7704 C5	9183 F3	9372 E4	9680 D2
S05 A4	2196 E2	2434 F5	3110 H1	3197 E2	3323 D4	3616 E1	4200 C5	6281 F2	7706 C4	9185 B3	9375 C3	9681 D2
S11 A5	2197 E2	2435 F5	3111 H1	3198 B3	3324 D3	3617 E1	4201 C5	6342 C4	7708 C4	9186 G2	9376 D4	9682 D2
S14 E5	2216 H3	2436 F5	3112 C1	3199 B3	3325 D4	3618 E1	4203 A3	6343 C4	7730 C5	9188 G2	9379 D4	9683 D2
S15 B2	2219 G3	2438 F5	3113 C1	3200 B1	3326 D4	3619 E1	4205 G4	6386 D5	7732 C5	9189 C4	9380 E4	9684 D2
S16 G4	2220 G3	2440 F5	3114 C1	3201 B1	3327 D4	3620 D1	4209 G4	6387 D5	9084 B4	9190 G2	9381 F4	9685 D2
S17 E4	2234 H2	2442 E5	3115 E3	3202 B1	3328 D5	3622 D1	4210 G5	6450 E5	9086 B4	9192 G3	9382 F4	9690 E3
S18 A5	2240 H3	2446 E5	3116 C3	3205 H3	3329 D4	3624 H3	4220 H4	6465 F5	9087 B4	9194 G3	9383 F4	9691 E3
S19 B2	2241 A2	2446 E5	3117 B3	3206 H3	3330 D5	3626 G4	4234 H2	6470 F5	9088 B4	9195 G2	9384 F4	9692 E3
S20 F4	2242 B1	2447 E5	3118 B3	3207 H4	3331 D5	3628 H4	4235 H2	6471 F5	9090 C5	9196 G3	9385 E4	9693 E3
S21 F4	2243 B1	2450 E5	3119 B4	3208 H3	3336 D4	3630 D2	4236 H2	6478 G5	9091 A5	9197 G2	9387 F3	9694 E3
S22 G4	2246 B1	2451 F5	3120 B3	3209 H3	3337 C3	3632 H4	4237 H2	6479 F5	9092 A5	9198 G3	9391 F4	9695 E3
S26 C5	2249 F3	2452 F5	3121 C3	3210 H3	3338 C4	3634 D2	4241 F2	6480 E4	9093 D1	9200 H3	9392 E4	9696 D3
S27 F4	2250 F3	2453 E5	3122 B3	3211 F2	3339 C4	3636 H4	4246 F3	6481 F5	9095 G1	9202 G3	9393 E4	9697 D3
S42 D1	2251 F2	2454 E5	3123 B3	3215 H3	3342 C3	3638 C2	4255 G4	6610 D3	9096 G1	9203 G3	9400 F4	9698 D3
S43 F1	2252 B2	2455 E5	3124 B3	3216 H3	3344 C4	3640 A2	4259 F3	6660 E2	9097 G1	9205 G3	9402 G5	9705 C3
S44 B4	2253 E3	2456 E5	3125 B3	3217 G3	3345 G5	3642 C2	4263 F2	6661 E2	9098 G1	9206 G3	9403 F5	9706 C3
S45 A4	2254 G3	2476 F5	3126 B2	3218 H3	3346 D3	3644 A2	4280 F3	6662 E2	9100 B2	9208 H5	9404 F5	9707 C3
S46 A3	2256 F2	2478 F5	3127 B2	3219 G3	3350 C4	3646 C2	4300 E4	6663 E2	9101 B2	9209 G2	9405 H5	9710 C3
S47 C4	2257 C1	2479 F5	3128 A5	3220 G3	3351 C3	3650 E2	4302 E4	6664 B5	9102 B2	9210 G3	9406 F4	9711 C3
S48 B2	2258 C1	2480 E4	3129 B2	3222 G2	3353 C4	3651 E2	4319 D4	6665 D1	9103 B2	9211 F2	9409 G5	9712 C3
S49 A2	2260 G3	2600 C1	3130 B3	3224 H4	3360 D5	3652 E2	4320 D3	7107 G1	9104 B2	9212 G3	9410 G5	9714 C3
S50 C4	2261 H4	2602 D1	3131 C3	3225 E3	3361 D5	3653 E2	4321 F5	7108 G1	9105 B2	9214 G3	9411 F5	9716 D3
S51 D6	2268 H3	2604 D1	3132 B4	3232 F2	3369 C4	3654 C5	4330 F3	7116 B3	9106 C3	9216 G3	9412 F5	9717 D3
S52 F5	2269 E3	2606 D1	3133 C1	3233 F2	3370 C4	3660 E1	4331 D4	7119 C3	9107 B2	9218 G3	9413 G5	9720 D3
S53 C2	2270 G2	2607 B5	3134 B4	3234 H2	3371 C4	3662 H2	4346 C4	7120 F1	9108 B3	9220 H2	9414 G5	9721 D3
S54 H5	2274 G2	2608 D1	3135 B4	3235 H2	3372 C4	3664 E2	4350 F4	7121 F1	9109 H2	9221 H2	9415 F5	9723 E3
S56 H3	2301 D4	2610 E1	3136 B4	3237 G2	3375 C3	3665 E5	4360 G4	7130 A5	9110 B2	9222 H4	9416 G5	9724 E3
S57 F5	2305 D4	2620 D1	3137 B4	3238 G3	3376 D3	3666 G2	4361 E4	7137 B3	9111 B2	9230 G3	9440 F5	9725 E3
S60 G5	2306 D4	2621 D1	3138 B4	3239 E2	3377 C4	3668 H5	4362 E4	7172 F3	9112 B2	9232 G3	9441 F5	9726 E3
S81 D3	2307 D4	2622 D1	3139 B3	3240 H3	3380 D4	3672 H5	4376 C4	7173 F4	9113 B2	9234 G3	9444 E5	9727 E3
S82 H2	2310 E4	2623 D1	3140 B4	3241 A3	3381 D5	3680 B4	4377 G5	7175 B1	9114 B2	9236 G3	9447 D3	9730 B5
S83 F2	2311 D4	2624 H4	3141 B4	3242 B1	3382 G5	3682 B5	4386 D5	7176 B1	9116 B2	9238 G3	9448 D3	9732 D3
1100 A5	2312 C3	2626 G4	3142 B4	3243 B1	3383 D5	3684 B4	4420 D4	7177 B1	9117 B2	9240 G3	9449 D2	9735 B5
1107 H1	2318 E4	2627 H5	3143 B4	3244 B1	3385 D4	3686 B4	4440 G4	7178 B1	9118 B2	9241 G3	9450 D2	9737 C5
1115 B3	2320 D5	2628 H4	3144 B4	3245 B1	3387 D5	3700 B5	4443 F5	7182 E3	9119 B3	9242 G3	9451 D1	9739 C5
1160 E2	2322 D5	2630 E2	3145 B4	3246 B1	3388 D5	3702 B4	4452 E5	7183 E3	9120 G2	9246 F3	9452 E5	9741 C5
1162 F1	2324 D4	2632 H4	3146 B4	3247 B1	3389 D5	3704 B5	4453 G4	7186 F3	9121 D1	9248 F3	9453 E5	9742 B1
1248 B1	2326 E5	2634 D2	3147 B3	3248 B1	3390 D5	3706 C4	4464 E4	7188 B1	9122 F2	9249 F3	9454 E5	9743 C1
1379 D4	2327 E5	2636 H5	3148 A3	3249 F3	3391 G5	3708 B5	4460 F5	7193 E2	9123 D3	9250 H5	9455 E5	
1380 D4	2328 D5	2638 D2	3149 A3	3251 A1	3392 G5	3710 C5	4476 F5	7216 H3	9125 C2	9252 G4	9456 F5	
1602 D1	2330 D5	2640 A2	3150 A3	3252 A2	3393 G4	3712 C4	4477 F5	7219 F2	9126 C2	9254 G4	9457 E5	
2100 A5	2331 D5	2642 C2	3151 F1	3253 F3	3394 G4	3713 C4	4496 G5	7243 B1	9127 B2	9255 F4	9458 E4	
2105 B3	2338 C3	2644 A2	3152 F1	3254 F2	3395 G5	3714 C5	4497 G5	7244 B1	9130 B3	9256 G4	9460 F5	
2107 H1	2342 C4	2646 C2	3153 F1	3255 F3	3396 G5	3720 B5	4498 G4	7258 C1	9133 C4	9257 F4	9465 E5	
2108 B3	2343 C4	2658 H5	3154 F1	3256 C2	3397 G5	3722 B5	4500 F4	7260 H4	9134 B3	9258 G4	9470 G4	
2109 B3	2344 C4	2659 H5	3155 F1	3257 C1	3398 G5	3724 B5	4591 G5	7261 E3	9137 D3	9259 G4	9471 G4	
2110 B3	2345 C4	2660 H2	3156 E1	3259 F3	3399 G5	3726 C5	4600 C1	7265 F3	9138 D3	9260 E3	9481 E4	
2111 B3	2347 C4	2662 H2	3157 C3	3260 G4	3400 F4	3728 C5	4610 E1	7268 H3	9140 B4	9261 E2	9599 G4	
2114 B3	2353 C4	2664 H5	3158 C3	3261 H4	3410 E4	3730 C5	4672 H5	7270 G2	9141 B4	9262 E2	9602 D1	
2115 B3	2360 D5	2666 H5	3159 F1	3262 H4	3414 G5	3732 C5	4673 E2	7273 H3	9142 B1	9263 E2	9603 E1	
2116 B3	2361 D5	2680 B5	3160 E1	3263 H4	3425 E5	3733 C5	6100 A5	7305 D4	9143 C1	9264 H4	9604 F1	
2117 C3	2364 C4	2681 B5	3161 F1	3264 H4	3426 E5	3734 C5	6107 G1	7311 D4	9145 B4	9265 E3	9605 E1	
2118 C3	2365 C5	2682 B5	3162 E1	3265 H2	3439 F4	3996 A1	6115 B3	7312 D3	9146 B4	9266 F3	9606 E1	
2119 B3	2366 C4	2684 B4	3163 G1	3266 F3	3441 F4	3997 A1	6270 E3	7313 D3	9147 B4	9267 E2	9615 E1	
2120 F1	2367 C4	2686 B5	3164 G1	3267 F3	3443 F4	3998 A1	6303 F5	7314 D4	9148 E2	9268 F3	9620 D2	
2121 F1	2368 C4	2688 B5	3165 G1	3268 H2	3450 E5	3999 A1	6304 F5	7316 D3	9150 C3	9269 F3	9621 D2	
2122 F1	2369 C4	2690 B5	3166 E2	3269 E3	3451 F5	4066 G1	6305 D4	7324 E5	9151 B1	9270 F3	9622 D2	
2123 F1	2370 C4	2692 B5	3167 F1	3270 G2	3453 E5	4103 A2	6310 D4	7326 D4	9152 B1	9271 F3	9623 D2	
2126 B3	2371 D4	2694 B5	3168 F1	3271 H2	3454 E5	4105 D1	6345 C4	7338 C4	9153 B1	9272 F3	9624 D2	
2127 B3	2372 D4	2696 B5	3169 C3	3272 F3	3455 E5	4106 D1	6346 C4	7340 D3	9154 B1	9273 F3	9628 D2	
2129 B3	2373 D4	2697 B5	3170 F3	3273 H3	3456 E5	4107 D2	6370 C5	7350 C3	9155 B1	9274 F3	9636 C1	
2130 B3	2374 D4	2698 B5	3171 E5	3274 H3	3465 E4	4108 C1	6375 C3	7360 D5	9156 A2	9277 G2	9636 D1	
2131 A5	2375 D4	2699 B5	3172 E1	3275 H3	3471 F5	4109 D2	6454 E5	7364 D4	9157 A2	9278 G2	9637 C1	
2132 B3	2376 C4	2700 B5	3173 F4	3276 H3	3472 F5	4110 D2	6455 E5	7365 D4	9158 D3	9279 G2	9638 D1	
2137 A4	2377 C4	2702 B5	3174 F4	3277 E2	3473 F5	4111 C2	6456 E5	7365 D4	9159 D3	9280 G2	9639 C1	
2138 B4	2378 D4	2704 B4	3175 B1	3278 A2	3474 F5	4112 E3	6107 H1	7366 D5	9160 D2	9281 F2	9641 C1	
2160 F1	2379 D4	2706 C5	3176 B1	3279 H3	3475 F5	4114 G3	6108 H1	7390 G5	9161 G3	9282 E2	9642 C1	
2161 F1	2380 D4	2707 B5	3177 B1	3280 A2	3476 F5	4115 G3	6112 C1	7395 G5	9163 G2	9290 G3	9650 B2	
2162 E1	2381 D4	2714 C5	3178 B1	3281 H4	3477 G5	4116 G1	6117 B3	7410 F4	9164 G2	9164 G2	9651 B2	
2163 G1	2382 D4	2716 A3	3179 F4	3285 F2	3478 F5	4117 G1	6120 F1	7430 E5	9165 G2	9316 C5	9652 C2	
2164 G1	2383 D4	2720 B5	3180 F3	3286 F2	3479 F5	4118 G4	6121 F1	7450 F5	9166 G2	9317 D4	9653 C2	
2165 H1	2384 D4	2721 C5	3181 E3	3287 C2	3480 E4	4120 G2	6130 B3	7451 F5	9167 G1	9318 D4	9654 C2	
2166 G1	2385 D4	2726 B5	3182 F3	3288 C2	3481 E4	4126 B4	6135 B4	7471 F5	9168 G1	9319 D3	9655 C2	
2168 F1	2386 D4	2727 B5	3183 E3	3300 D4	3482 E4	4127 B4	6136 B4	7480 E4	9169 D3	9320 D4	9656 C2	
2169 F1	2387 C5	2728 C5	3184 E3	3301 D4	3483 E4	4129 A5	6183 G1	7492 G5	9170 G2	9321 E4	9657 C2	
2170 F3	2388 D5	27										





Main sound output amplifiers
 Haupt-tönenverstärker
 Amplificatori di potenza del suono
 Amplificateurs principaux de sortie son

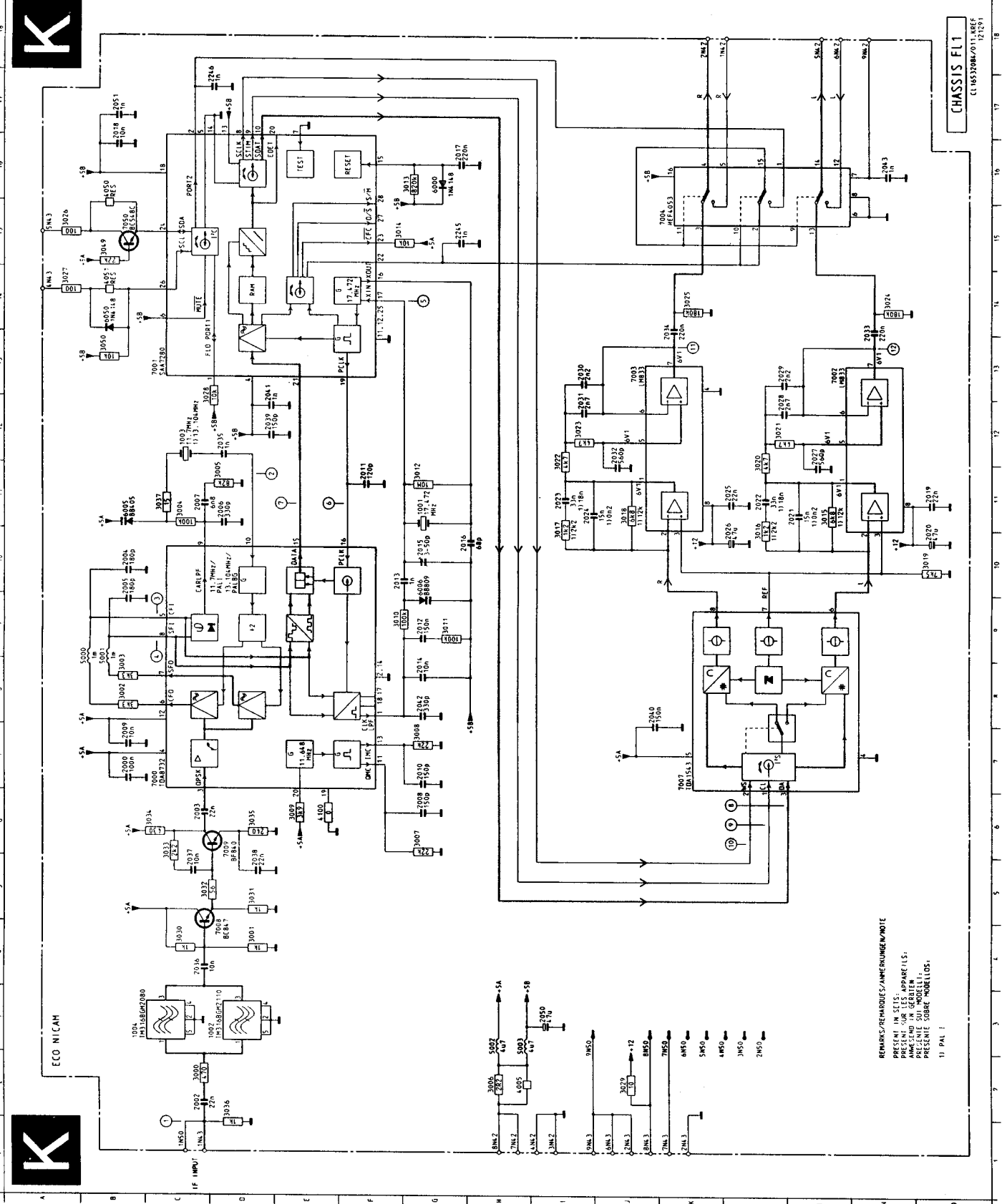


9055 E13

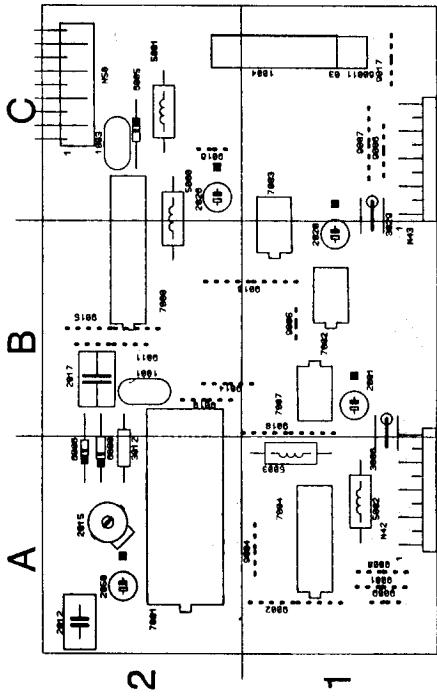
2009	B15	9055	E13
2001	A 3		
2002	D 3		
2003	S		
2004	10		
2005	11		
2006	12		
2007	13		
2008	14		
2009	D 5		
2010	D 6		
2011	D 7		
2012	F 7		
2013	F 7		
2014	B16		
2015	B16		
2016	B16		
2017	B16		
2018	B16		
2019	B16		
2020	B16		
2021	B16		
2022	B16		
2023	B16		
2024	B16		
2025	B16		
2026	B16		
2027	B16		
2028	B16		
2029	B16		
2030	B16		
2031	B16		
2032	B16		
2033	B16		
2034	B16		
2035	B16		
2036	B16		
2037	B16		
2038	B16		
2039	B16		
2040	B16		
2041	B16		
2042	B16		
2043	B16		
2044	B16		
2045	B16		
2046	B16		
2047	B16		
2048	B16		
2049	B16		
2050	B16		
2051	B16		
2052	B16		
2053	B16		
2054	B16		
2055	B16		
2056	B16		
2057	B16		
2058	B16		
2059	B16		
2060	B16		
2061	B16		
2062	B16		
2063	B16		
2064	B16		
2065	B16		
2066	B16		
2067	B16		
2068	B16		
2069	B16		
2070	B16		
2071	B16		
2072	B16		
2073	B16		
2074	B16		
2075	B16		
2076	B16		
2077	B16		
2078	B16		
2079	B16		
2080	B16		
2081	B16		
2082	B16		
2083	B16		
2084	B16		
2085	B16		
2086	B16		
2087	B16		
2088	B16		
2089	B16		
2090	B16		
2091	B16		
2092	B16		
2093	B16		
2094	B16		
2095	B16		
2096	B16		
2097	B16		
2098	B16		
2099	B16		
2100	B16		

For Service Manuals Contact
MAURITRON TECHNICAL SERVICES
 8 Cherry Tree Rd, Chinnor
 Oxon OX9 4QY
 Tel:- 01844-351694 Fax:- 01844-352554
 Email:- enquiries@mauratron.co.uk

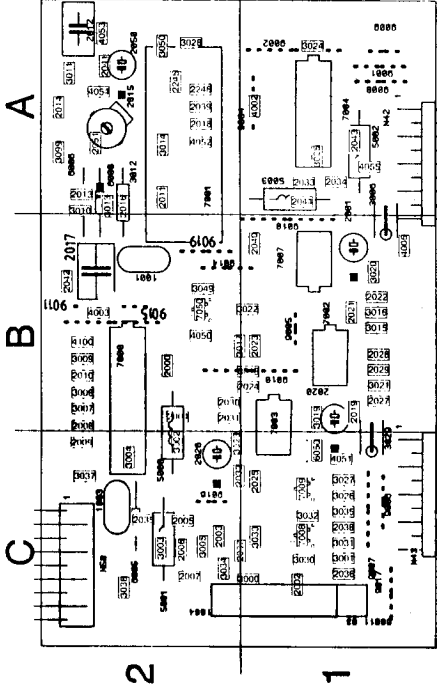
1001	511
1002	512
1003	513
1004	514
2000	515
2001	516
2002	517
2003	518
2004	519
2005	520
2006	521
2007	522
2008	523
2009	524
2010	525
2011	526
2012	527
2013	528
2014	529
2015	530
2016	531
2017	532
2018	533
2019	534
2020	535
2021	536
2022	537
2023	538
2024	539
2025	540
2026	541
2027	542
2028	543
2029	544
2030	545
2031	546
2032	547
2033	548
2034	549
2035	550
2036	551
2037	552
2038	553
2039	554
2040	555
2041	556
2042	557
2043	558
2044	559
2045	560
2046	561
2047	562
2048	563
2049	564
2050	565
2051	566
2052	567
2053	568
2054	569
2055	570
2056	571
2057	572
2058	573
2059	574
2060	575
2061	576
2062	577
2063	578
2064	579
2065	580
2066	581
2067	582
2068	583
2069	584
2070	585
2071	586
2072	587
2073	588
2074	589
2075	590
2076	591
2077	592
2078	593
2079	594
2080	595
2081	596
2082	597
2083	598
2084	599
2085	600
2086	601
2087	602
2088	603
2089	604
2090	605
2091	606
2092	607
2093	608
2094	609
2095	610
2096	611
2097	612
2098	613
2099	614
2100	615



REMARKS/REMARQUES/ANMERKUNGEN/NOTE
 PRESENT IN ALL SETS APPAREILS.
 ANWESEND IN GERÄTEN
 PRESENTE SUIBRE MODELLS.
 11 PA 1



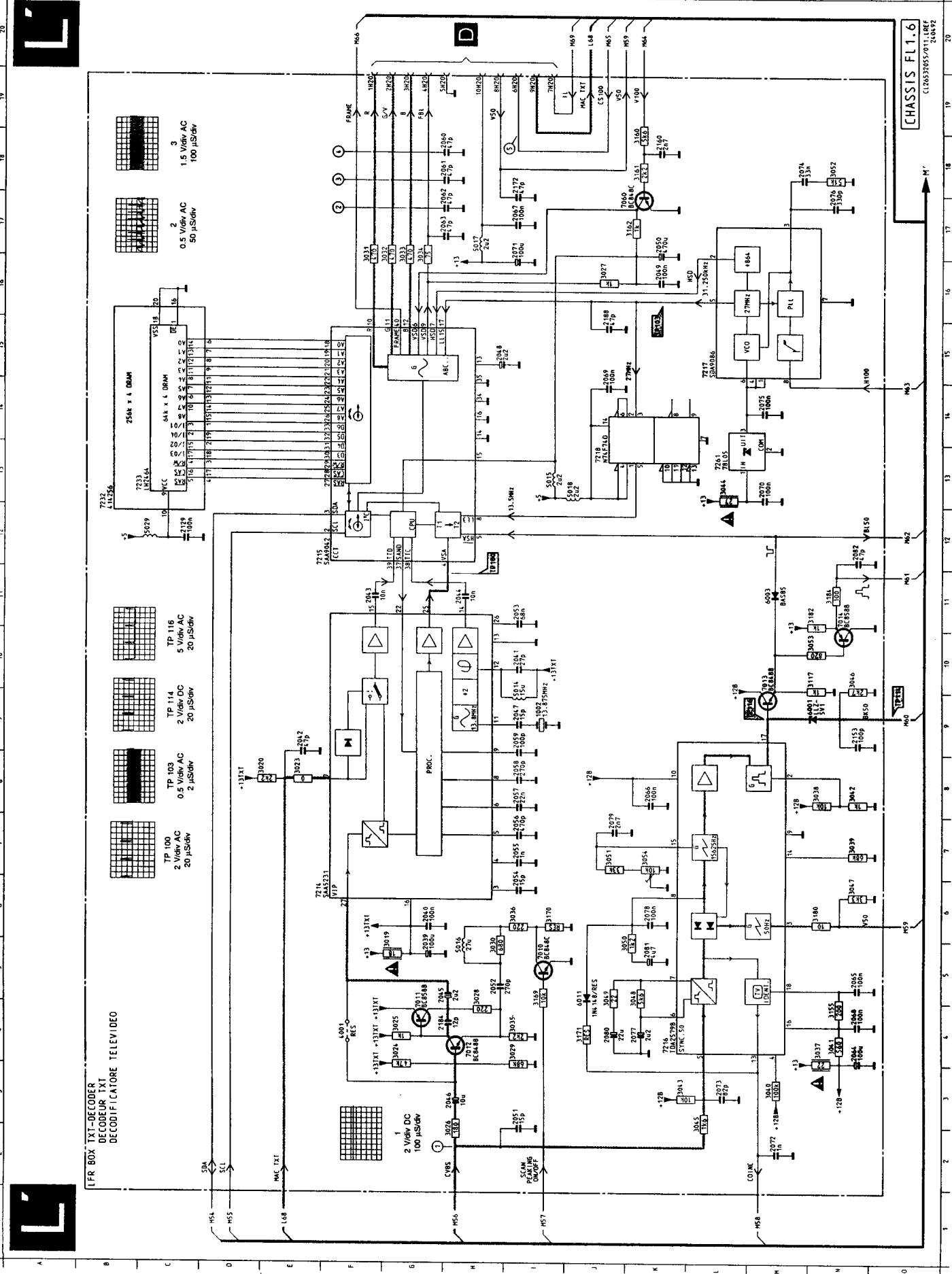
M42 A1	2010 B2	2028 C2	2042 B2	3008 B2	3024 A1	3038 A2	6000 A2	9004 A1
M43 C1	2011 A2	2027 B1	2043 A1	3008 B2	3025 A1	4002 A1	6001 C1	9006 B1
M60 C2	2012 A2	2028 B1	2044 A1	3010 A2	3028 C1	4003 B2	6005 C2	9006 C1
1001 B2	2013 A2	2029 B1	2060 A2	3011 A2	3027 C1	4006 B1	6006 A2	9007 C1
1003 C2	2014 A2	2030 B2	2061 A2	3012 A2	3028 A2	4008 B2	6050 C1	9008 A1
1004 C1	2015 A2	2031 B2	2245 A2	3013 A2	3029 C1	4051 C1	7000 B2	9009 A1
2000 B2	2016 A2	2032 C2	2246 A2	3014 A2	3030 C1	4052 A2	7001 A2	9010 B1
2001 B1	2017 B2	2033 A1	3000 C1	3015 B1	3031 C1	4053 A2	7002 B1	9011 B2
2002 C1	2018 A2	2034 A1	3001 C1	3016 B1	3032 C1	4054 A2	7003 B1	9014 B2
2003 C2	2019 B1	2035 C2	3002 C2	3017 B1	3033 C1	4055 A1	7004 A1	9016 B2
2004 B2	2020 B1	2036 C1	3003 C2	3018 B1	3034 C2	4100 B2	7007 B1	9016 C2
2005 C2	2021 B1	2037 C1	3004 C2	3019 B1	3035 C1	4100 B2	7008 C1	9017 C1
2006 C2	2022 B1	2038 C1	3006 C2	3020 B1	3036 C1	5000 C2	7009 C1	9018 B1
2007 C2	2023 B1	2039 A2	3009 B1	3021 B1	3037 C2	5001 C2	7080 B2	9019 B2
2008 B2	2024 B1	2040 A2	3009 B2	3022 B1	3038 A2	5002 A2	8003 A1	9020 A1
2009 C2	2025 C1	2041 A2	3008 B2	3023 C2	3050 A2	5003 A1	9002 A1	



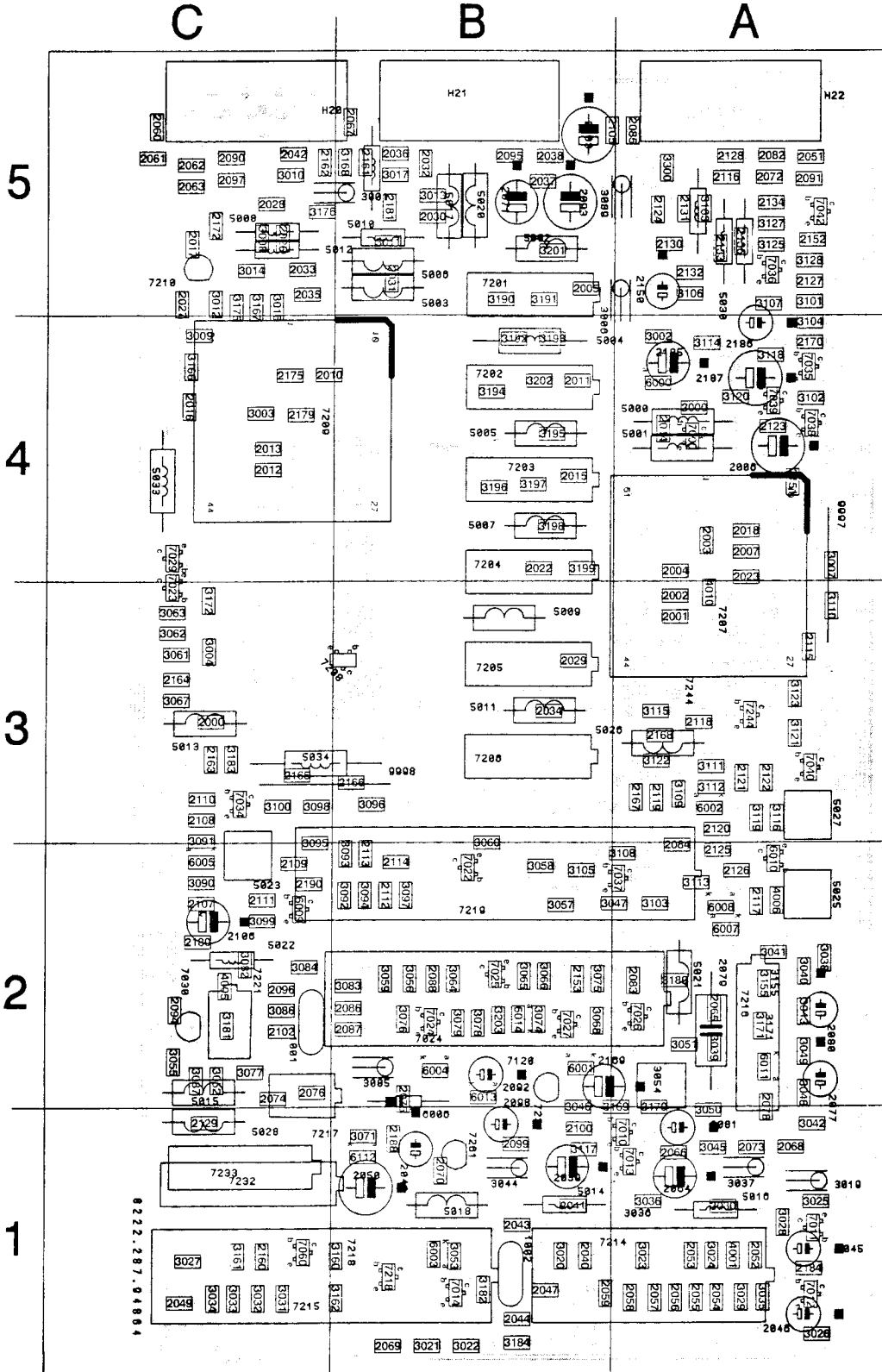
M42 A1	2010 B2	2028 C2	2042 B2	3008 B2	3024 A1	3038 A2	6000 A2	9004 A1
M43 C1	2011 A2	2027 B1	2043 A1	3008 B2	3025 A1	4002 A1	6001 C1	9006 B1
M60 C2	2012 A2	2028 B1	2044 A1	3010 A2	3028 C1	4003 B2	6005 C2	9006 C1
1001 B2	2013 A2	2029 B1	2060 A2	3011 A2	3027 C1	4006 B1	6006 A2	9007 C1
1003 C2	2014 A2	2030 B2	2061 A2	3012 A2	3028 A2	4008 B2	6050 C1	9008 A1
1004 C1	2015 A2	2031 B2	2245 A2	3013 A2	3029 C1	4051 C1	7000 B2	9009 A1
2000 B2	2016 A2	2032 C2	2246 A2	3014 A2	3030 C1	4052 A2	7001 A2	9010 B1
2001 B1	2017 B2	2033 A1	3000 C1	3015 B1	3031 C1	4053 A2	7002 B1	9011 B2
2002 C1	2018 A2	2034 A1	3001 C1	3016 B1	3032 C1	4054 A2	7003 B1	9014 B2
2003 C2	2019 B1	2035 C2	3002 C2	3017 B1	3033 C1	4055 A1	7004 A1	9016 B2
2004 B2	2020 B1	2036 C1	3003 C2	3018 B1	3034 C2	4100 B2	7007 B1	9016 C2
2005 C2	2021 B1	2037 C1	3004 C2	3019 B1	3035 C1	4100 B2	7008 C1	9017 C1
2006 C2	2022 B1	2038 C1	3006 C2	3020 B1	3036 C1	5000 C2	7009 C1	9018 B1
2007 C2	2023 B1	2039 A2	3009 B1	3021 B1	3037 C2	5001 C2	7080 B2	9019 B2
2008 B2	2024 B1	2040 A2	3009 B2	3022 B1	3038 A2	5002 A2	8003 A1	9020 A1
2009 C2	2025 C1	2041 A2	3008 B2	3023 C2	3050 A2	5003 A1	9002 A1	

For Service Manuals Contact
MAURITRON TECHNICAL SERVICES
 8 Cherry Tree Rd, Chinnor
 Oxon OX9 4QY
 Tel: 01844-351694 Fax: 01844-352554
 Email: enquiries@mauritron.co.uk

1002	I 9	7232	812
2039	G 5	7233	C13
2040	H 10	7234	C13
2041	H 10	7251	L13
A	2042	E 9	
2043	F 11		
2044	F 11		
2045	H 5		
2046	H 3		
2047	I 9		
2048	I 9		
2049	K 6		
B	2050	K 7	
2051	L 3		
2052	L 3		
2053	L 11		
2054	L 6		
2055	L 7		
2056	L 8		
2057	L 8		
C	2058	I 8	
2059	I 9		
2060	I 8		
2061	K 8		
2062	K 7		
2063	K 7		
2064	M 5		
2065	M 5		
2066	K 8		
2067	M 3		
2068	M 3		
2069	J 4		
2070	M 3		
2071	L 6		
2072	L 3		
E	2073	L 3	
2074	M 8		
2075	M 4		
2076	M 4		
2077	K 4		
2078	K 6		
2079	J 7		
2080	K 5		
2081	K 5		
2082	M 2		
2159	C 2		
2160	K 8		
2162	L 8		
2164	M 4		
2166	M 4		
2168	M 4		
2169	G 5		
3019	G 5		
3020	D 8		
3021	D 8		
3022	G 4		
3023	G 4		
3024	M 2		
3025	J 4		
3026	J 4		
3027	J 4		
3028	J 4		
3029	L 4		
3030	H 5		
3031	H 5		
3032	H 5		
3033	G 7		
3034	G 7		
3035	L 4		
3036	L 4		
3037	M 4		
3038	M 8		
3039	M 8		
3040	M 3		
3041	M 4		
3042	M 8		
3043	M 8		
3044	L 3		
3045	L 3		
3046	M 5		
3047	M 5		
3048	M 5		
3049	K 5		
3050	K 5		
3051	M 8		
3052	M 8		
3053	M 8		
3054	K 7		
3055	K 7		
3160	K 8		
3161	K 8		
3162	K 8		
3163	L 6		
3164	L 6		
3170	L 6		
3171	J 4		
3172	J 4		
3182	M 11		
3183	M 11		
3184	M 11		
3185	M 11		
3186	M 11		
3187	M 11		
3188	M 11		
3189	M 11		
3190	M 11		
3191	M 11		
3192	M 11		
3193	M 11		
3194	M 11		
3195	M 11		
3196	M 11		
3197	M 11		
3198	M 11		
3199	M 11		
3200	M 11		
3201	M 11		
3202	M 11		
3203	M 11		
3204	M 11		
3205	M 11		
3206	M 11		
3207	M 11		
3208	M 11		
3209	M 11		
3210	M 11		
3211	M 11		
3212	M 11		
3213	M 11		
3214	M 11		
3215	M 11		
3216	M 11		
3217	M 11		
3218	M 11		
3219	M 11		
3220	M 11		
3221	M 11		
3222	M 11		
3223	M 11		
3224	M 11		
3225	M 11		
3226	M 11		
3227	M 11		
3228	M 11		
3229	M 11		
3230	M 11		
3231	M 11		
3232	M 11		
3233	M 11		
3234	M 11		
3235	M 11		
3236	M 11		
3237	M 11		
3238	M 11		
3239	M 11		
3240	M 11		
3241	M 11		
3242	M 11		
3243	M 11		
3244	M 11		
3245	M 11		
3246	M 11		
3247	M 11		
3248	M 11		
3249	M 11		
3250	M 11		
3251	M 11		
3252	M 11		
3253	M 11		
3254	M 11		
3255	M 11		
3256	M 11		
3257	M 11		
3258	M 11		
3259	M 11		
3260	M 11		
3261	M 11		
3262	M 11		
3263	M 11		
3264	M 11		
3265	M 11		
3266	M 11		
3267	M 11		
3268	M 11		
3269	M 11		
3270	M 11		
3271	M 11		
3272	M 11		
3273	M 11		
3274	M 11		
3275	M 11		
3276	M 11		
3277	M 11		
3278	M 11		
3279	M 11		
3280	M 11		
3281	M 11		
3282	M 11		
3283	M 11		
3284	M 11		
3285	M 11		
3286	M 11		
3287	M 11		
3288	M 11		
3289	M 11		
3290	M 11		
3291	M 11		
3292	M 11		
3293	M 11		
3294	M 11		
3295	M 11		
3296	M 11		
3297	M 11		
3298	M 11		
3299	M 11		
3300	M 11		
3301	M 11		
3302	M 11		
3303	M 11		
3304	M 11		
3305	M 11		
3306	M 11		
3307	M 11		
3308	M 11		
3309	M 11		
3310	M 11		
3311	M 11		
3312	M 11		
3313	M 11		
3314	M 11		
3315	M 11		
3316	M 11		
3317	M 11		
3318	M 11		
3319	M 11		
3320	M 11		
3321	M 11		
3322	M 11		
3323	M 11		
3324	M 11		
3325	M 11		
3326	M 11		
3327	M 11		
3328	M 11		
3329	M 11		
3330	M 11		
3331	M 11		
3332	M 11		
3333	M 11		
3334	M 11		
3335	M 11		
3336	M 11		
3337	M 11		
3338	M 11		
3339	M 11		
3340	M 11		
3341	M 11		
3342	M 11		
3343	M 11		
3344	M 11		
3345	M 11		
3346	M 11		
3347	M 11		
3348	M 11		
3349	M 11		
3350	M 11		
3351	M 11		
3352	M 11		
3353	M 11		
3354	M 11		
3355	M 11		
3356	M 11		
3357	M 11		
3358	M 11		
3359	M 11		
3360	M 11		
3361	M 11		
3362	M 11		
3363	M 11		
3364	M 11		
3365	M 11		
3366	M 11		
3367	M 11		
3368	M 11		
3369	M 11		
3370	M 11		
3371	M 11		
3372	M 11		
3373	M 11		
3374	M 11		
3375	M 11		
3376	M 11		
3377	M 11		
3378	M 11		
3379	M 11		
3380	M 11		
3381	M 11		
3382	M 11		
3383	M 11		
3384	M 11		
3385	M 11		
3386	M 11		
3387	M 11		
3388	M 11		
3389	M 11		
3390	M 11		
3391	M 11		
3392	M 11		
3393	M 11		
3394	M 11		
3395	M 11		
3396	M 11		
3397	M 11		
3398	M 11		
3399	M 11		
3400	M 11		

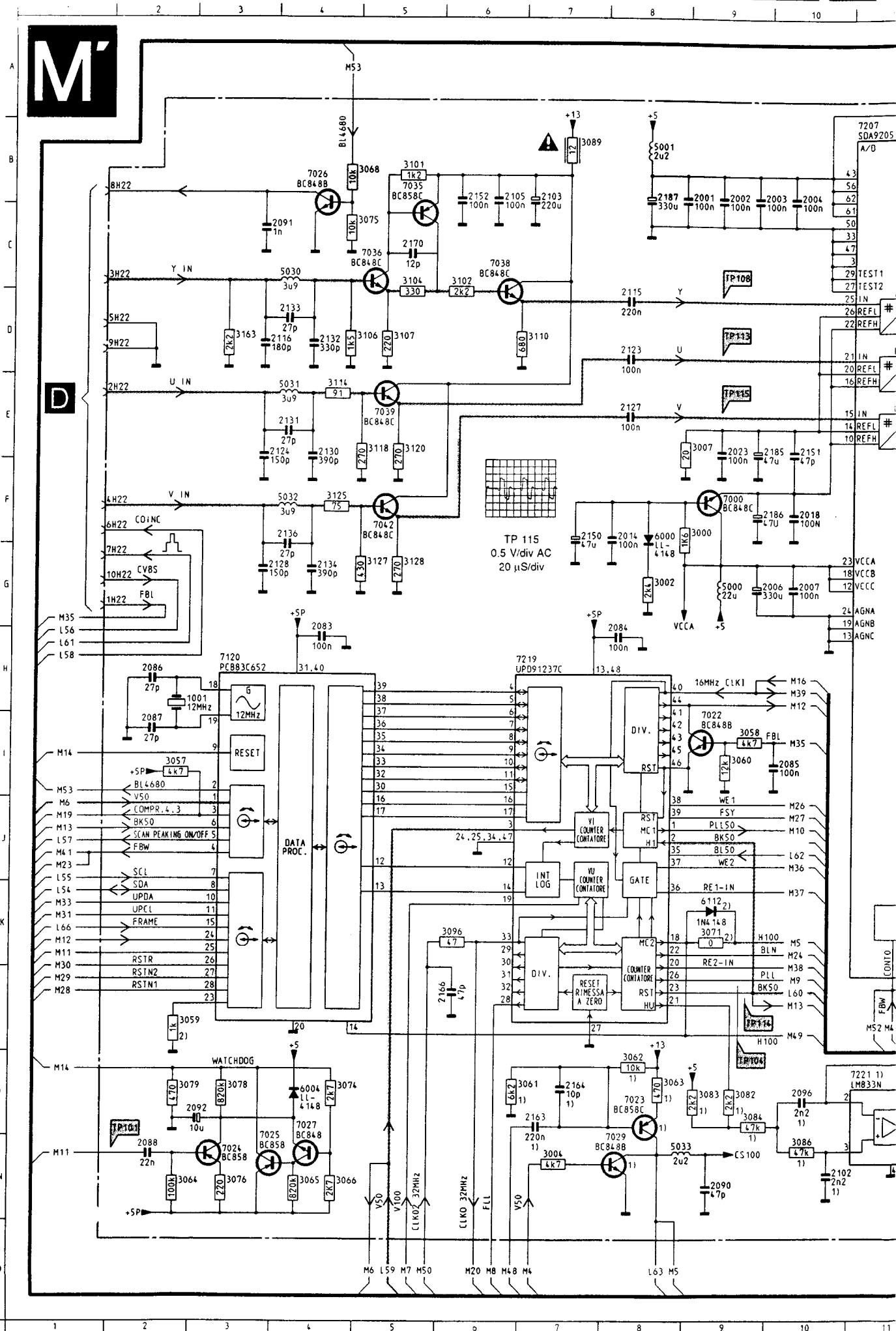


6.51 CHASSIS FL1.6 LFR Box

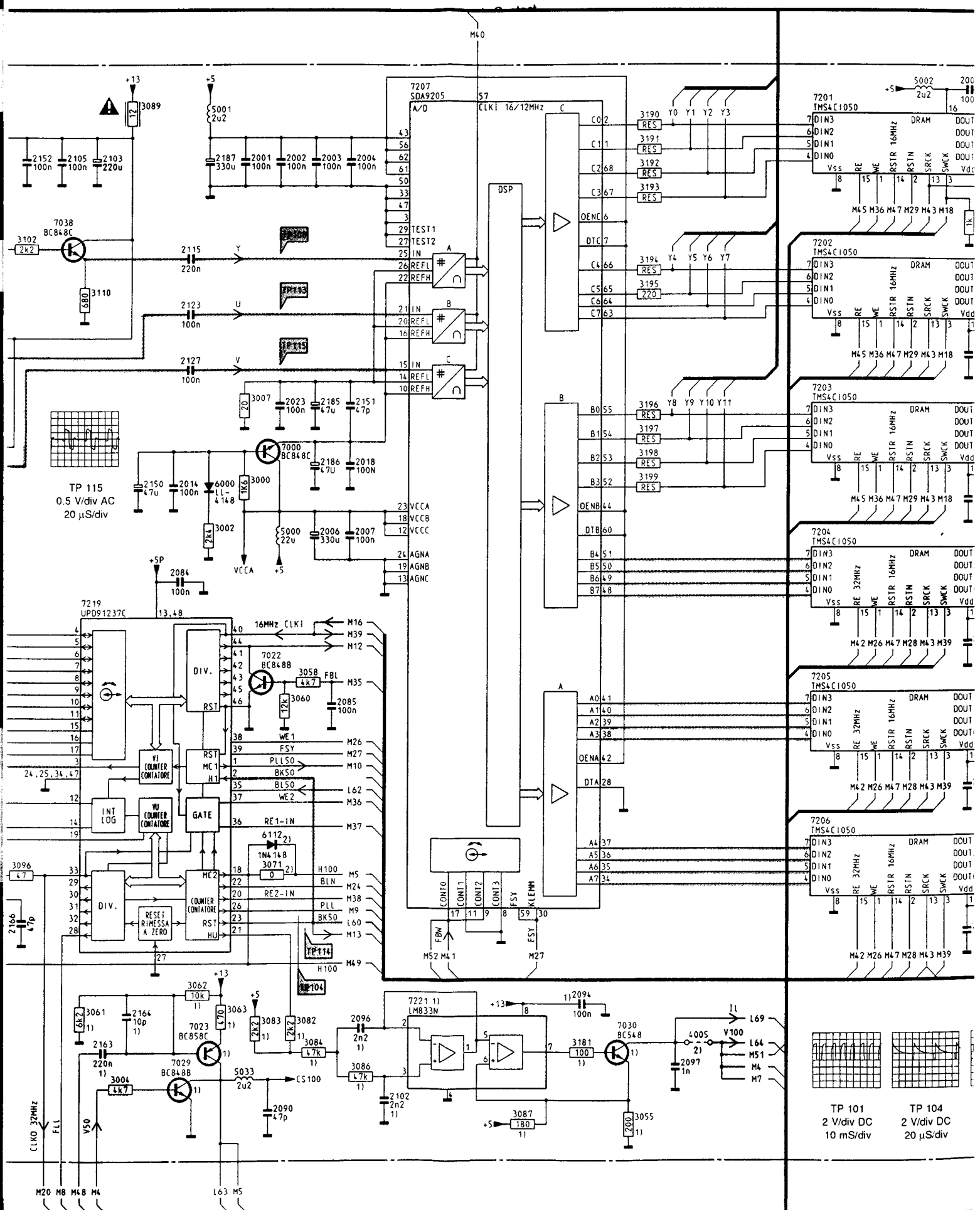


2160 C1	3077 C2	6008 C5
2161 B5	3078 B2	6009 B3
2162 C6	3079 B2	6010 B6
2163 C3	3082 C2	6011 B3
2164 C3	3083 B2	6012 C5
2165 C3	3084 C2	6013 C3
2166 B3	3085 B2	6014 B1
2167 A3	3086 C2	6015 C2
2168 A3	3087 C2	6016 A1
2169 A2	3089 A5	6017 B5
2170 A4	3090 C2	6018 B1
2172 C5	3091 C3	6019 B5
2175 C4	3092 B2	6020 B5
2179 C4	3093 B2	6021 A2
2180 C2	3094 B2	6022 C2
2181 B5	3095 C2	6023 C2
2184 A1	3096 B3	6025 A2
2185 A4	3097 B2	6026 A3
2186 A4	3098 C3	6027 A3
2187 A4	3099 C2	6028 C1
2188 B1	3100 C3	6030 A6
2190 C2	3101 A6	6031 A6
3000 A4	3102 A4	6032 A6
3001 B5	3103 A2	6033 C4
3002 A4	3104 A4	6034 C3
3003 C4	3105 B2	6000 A4
3004 C3	3106 A5	6001 B2
3006 A5	3107 A5	6002 A3
3007 A4	3108 A2	6003 B1
3008 C5	3109 A3	6004 B2
3009 C4	3110 A3	6005 C2
3010 C5	3111 A3	6006 B2
3011 B5	3112 A3	6007 A2
3012 C5	3113 A2	6008 A2
3013 B5	3114 A4	6009 C2
3014 C5	3115 A3	6010 A2
3016 C5	3116 A3	6011 A2
3017 B5	3117 B1	6013 B2
3019 A1	3118 A4	6014 B2
3020 B1	3119 A3	6112 B1
3021 B1	3120 A4	7000 A4
3022 B1	3121 A3	7010 A1
3023 A1	3122 A3	7011 A1
3024 A1	3123 A3	7012 A1
3025 A1	3125 A5	7013 A1
3026 A1	3127 A5	7014 B1
3027 C1	3128 A5	7022 B2
3028 A1	3155 A2	7023 C3
3029 A1	3160 B1	7024 B2
3030 A1	3161 C1	7025 B2
3031 C1	3162 B1	7026 A2
3032 C1	3163 A6	7027 B2
3033 C1	3166 C4	7029 C4
3034 C1	3167 C5	7030 C2
3035 A1	3168 B5	7034 C3
3036 A1	3169 A1	7035 A4
3037 A1	3170 A1	7036 A5
3038 A2	3171 A2	7037 A2
3039 A2	3172 C3	7038 A4
3040 A2	3175 C5	7039 A4
3041 A2	3178 C5	7040 A3
3042 A1	3180 A2	7042 A5
3043 A2	3181 C2	7060 C1
3044 B1	3182 B1	7120 B2
3045 A1	3183 C3	7210 B5
3046 B1	3184 B1	7202 B4
3047 A2	3190 B5	7203 B4
3048 A2	3191 B5	7204 B4
3049 A2	3192 B4	7205 B3
3050 A1	3193 B4	7206 B3
3051 A2	3194 B4	7207 A4
3052 C2	3195 B4	7208 B3
3053 B1	3196 B4	7209 C4
3054 A2	3197 B4	7210 C5
3055 C2	3198 B4	7214 A1
3056 B2	3199 B4	7215 B1
3057 B2	3201 B5	7216 A2
3058 B2	3202 B4	7217 C2
3059 B2	3203 B2	7218 B1
3060 B2	3300 B2	7219 B2
3061 C3	4001 A1	7221 C2
3062 C3	4006 C2	7231 B2
3063 C3	4006 A2	7232 C1
3064 B2	4010 A3	7233 C1
3065 B2	5000 A4	7244 A3
3066 B2	5001 A4	7261 B1
3067 C3	5002 B5	9997 A4
3068 B2	5003 B5	9998 B3
3071 B1	5004 B4	
3074 B2	5005 B4	
3075 B2	5006 B5	
3076 B2	5007 B4	

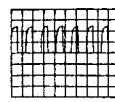
H20 C5	2012 C4	2032 B5	2047 B1	2062 C5	2077 A2	2093 B5	2110 C3	2125 A2
H21 B5	2013 C4	2033 C5	2048 B1	2063 C5	2078 A1	2094 C2	2111 C2	2126 A2
H22 A5	2014 A4	2034 B3	2049 C1	2064 A1	2079 A2	2095 B5	2112 B2	2127 A5
1001 C2	2015 B4	2035 C5	2050 B1	2065 A2	2080 A2	2096 C2	2113 B2	2128 A5
1002 B1	2016 C4	2036 B5	2051 A5	2066 A1	2081 A1	2097 C5	2114 B2	2129 C1
2000 C3	2017 C5	2037 B5	2052 A1	2067 B5	2082 A5	2098 B1	2115 A3	2130 A5
2001 A3	2018 A4	2038 B5	2053 A1	2068 A1	2083 A2	2099 B1	2116 A5	2131 A5
2002 A3	2022 A3	2039 B1	2054 A1	2069 B1	2084 A2	2100 B1	2117 A2	2132 A5
2003 A4	2023 A3	2040 B1	2055 A1	2070 B1	2085 A5	2102 C2	2118 A3	2133 A5
2004 A4	2026 C5	2041 B1	2056 A1	2071 B5	2086 B2	2103 B5	2119 A3	2134 A5
2005 B5	2027 C5	2042 C5	2057 A1	2072 A5	2087 B2	2105 A5	2120 A3	2135 A5
2006 A4	2028 C5	2043 B1	2058 A1	2073 A1	2088 B2	2106 C2	2121 A3	2150 A5
2007 A4	2029 B3	2044 B1	2059 A1	2074 C2	2089 C5	2107 C2	2122 A3	2151 A4
2010 B4	2030 B5	2045 A1	2060 C5	2075 B2	2091 A5	2108 C3	2123 A4	2152 A5
2011 B4	2031 B5	2046 A1	2061 C5	2076 C2	2092 B2	2109 C2	2124 A5	2153 B2



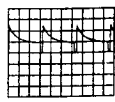
6 7 8 9 10 11 12 13 14 15 16 17



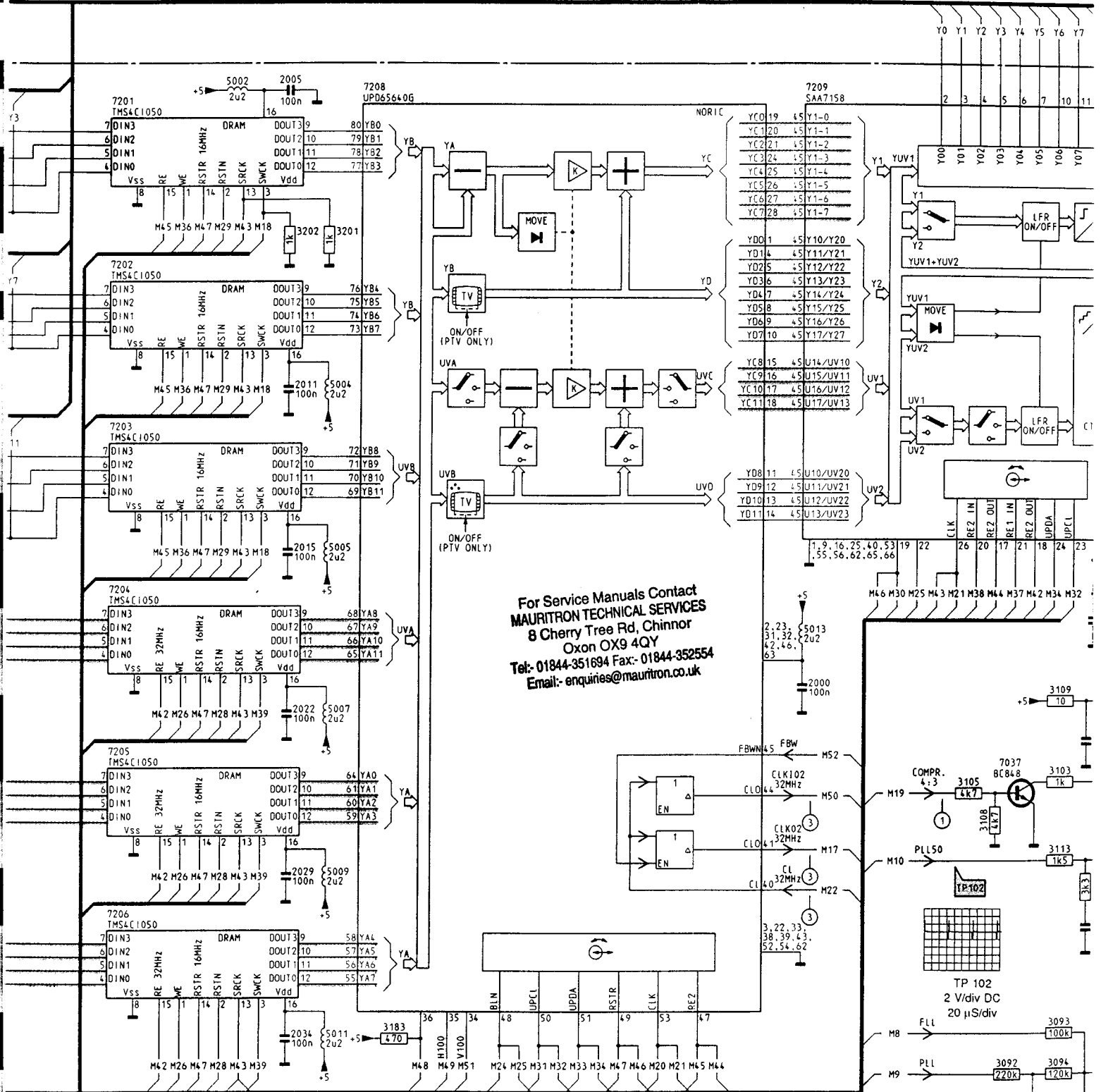
TP 115
0.5 V/div AC
20 μS/div



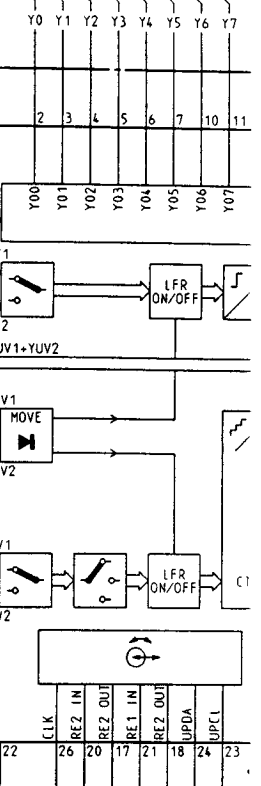
TP 101
2 V/div DC
10 mS/div



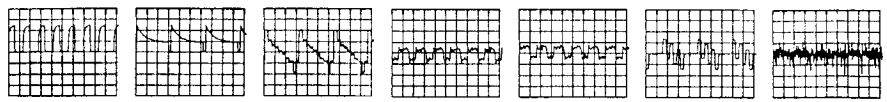
TP 104
2 V/div DC
20 μS/div



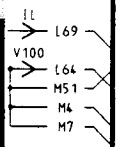
For Service Manuals Contact
MAURITRON TECHNICAL SERVICES
 8 Cherry Tree Rd, Chinnor
 Oxon OX9 4QY
 Tel: 01844-351694 Fax: 01844-352554
 Email: enquiries@mauritron.co.uk



1) FL 1.2		2) FL 1.5	
2094	3071	3059	
2096	3082	3071	
2102	3083	3077	
2163	3084	4005	
2164	3086	6112	
3004	3087		
3055	3181		
3061	7023		
3062	7029		
3063	7030		
3067	7281		

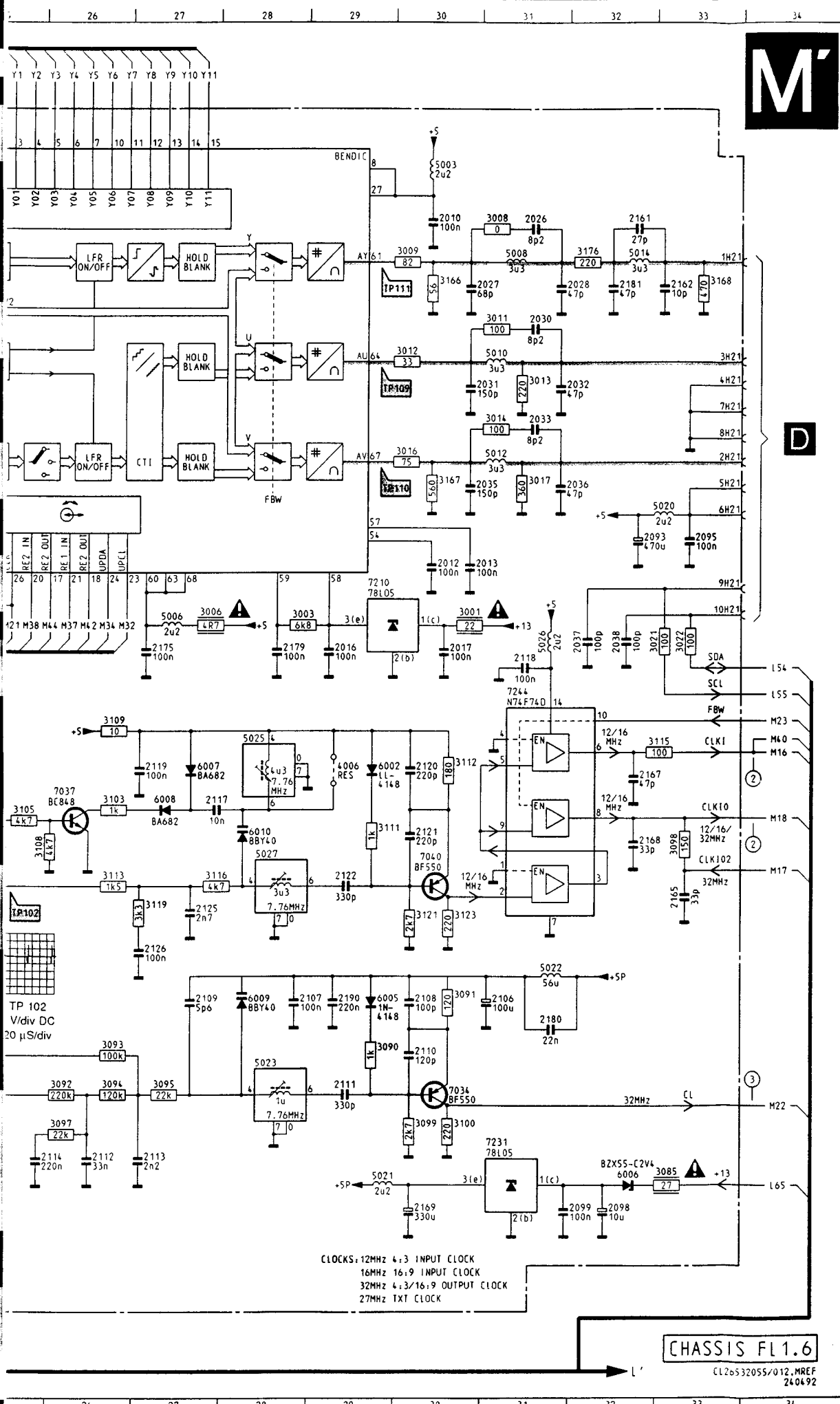


TP 101 2 V/div DC 10 mS/div
 TP 104 2 V/div DC 20 μS/div
 TP 108 0.5 V/div AC 20 μS/div
 TP 109 20 mV/div DC 20 μS/div
 TP 110 50 mV/div AC 20 μS/div
 TP 113 0.5 V/div DC 20 μS/div
 TP 111 0.5 V/div AC 20 μS/div



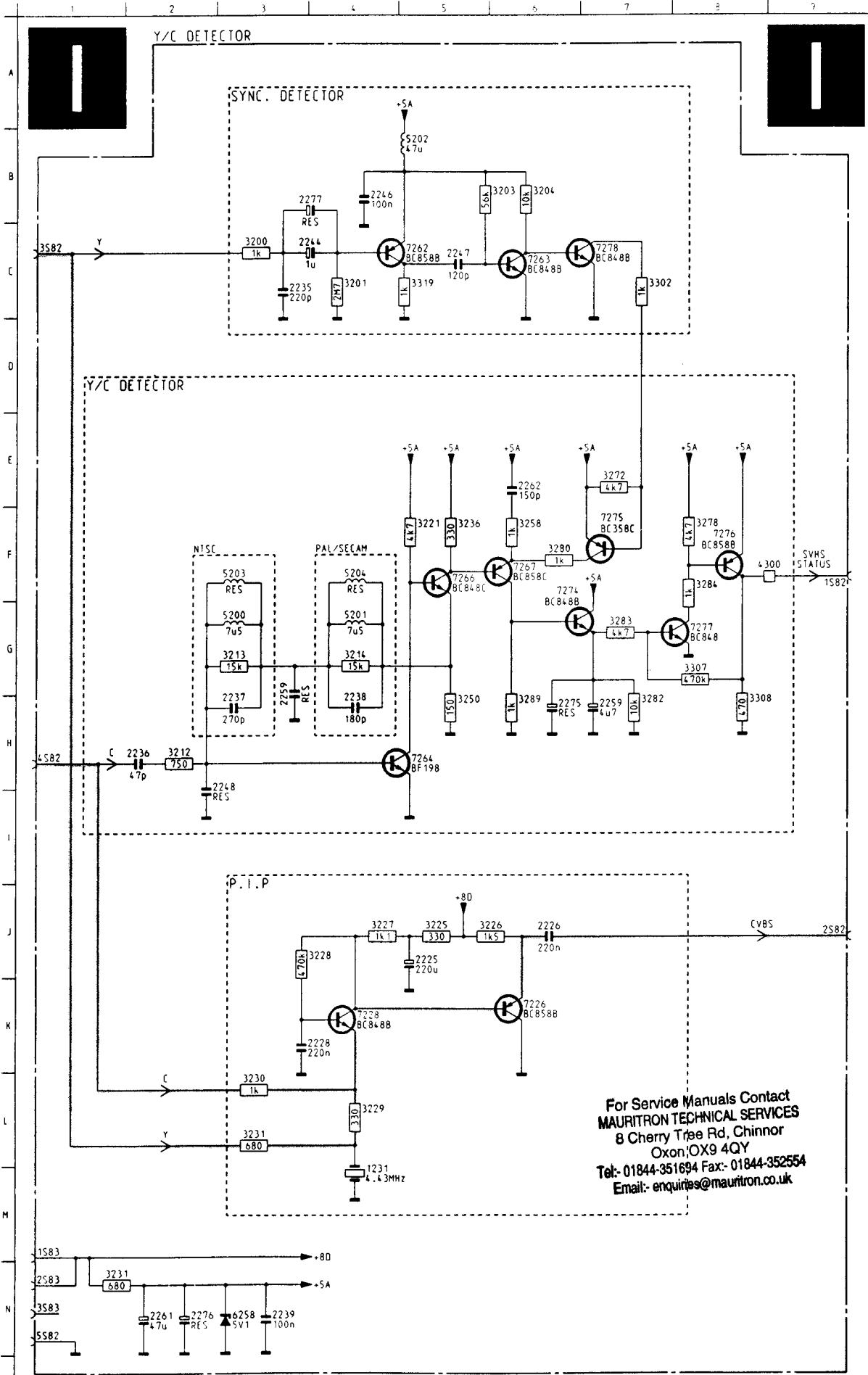
M'

D



1001	H 2	3021	G33	6010	I28
2000	H23	3022	G33	6112	K 9
2001	B 9	3055	M13	7000	F 9
2002	B 9	3057	I 2	7022	I 9
2003	B 9	3058	I 9	7023	M 8
2004	B10	3059	L 2	7024	N 3
2005	B18	3060	I 9	7025	N 3
2006	G 9	3061	M 6	7026	B 4
2007	G10	3062	M 8	7027	M 4
2010	C30	3063	M 8	7029	N 8
2011	E18	3064	N 2	7030	M13
2012	F30	3065	N 4	7034	L30
2013	F30	3066	N 4	7035	B 5
2014	F 8	3068	B 4	7036	C 5
2015	G18	3071	K 9	7037	I26
2016	G29	3074	M 4	7038	C 6
2017	G30	3075	C 4	7039	E 5
2018	F10	3076	N 3	7040	J30
2022	H18	3078	M 3	7042	F 5
2023	E 9	3079	M 2	7120	H 3
2026	C31	3082	M 9	7201	B16
2027	C30	3083	M 9	7202	O16
2028	C31	3084	M 9	7203	E16
2029	J18	3085	M33	7204	G16
2030	D31	3086	N10	7205	I16
2031	D30	3087	N12	7206	K16
2032	D31	3089	B 7	7207	B11
2033	E31	3090	L29	7208	B18
2034	L18	3091	K30	7209	B23
2035	F30	3092	L26	7210	G29
2036	F31	3093	L26	7219	H 6
2037	G32	3094	L26	7221	M11
2038	G32	3095	L27	7231	M31
2083	H 4	3096	K 6	7244	H31
2084	H 8	3097	M26		
2085	I10	3098	I33		
2086	H 2	3099	M30		
2087	I 2	3100	M30		
2088	N 2	3101	B 5		
2090	N 9	3102	C 6		
2091	C 3	3103	I26		
2092	M 3	3104	C 5		
2093	F32	3105	I25		
2094	M13	3106	D 4		
2095	F33	3107	D 5		
2096	M10	3108	J25		
2097	N14	3109	H26		
2098	N32	3110	D 7		
2099	M32	3111	I29		
2102	N10	3112	I30		
2103	B 7	3113	J26		
2105	B 6	3114	E 4		
2106	K31	3115	H33		
2107	K28	3116	J27		
2108	K30	3118	E 5		
2109	K27	3119	J27		
2110	L30	3120	E 5		
2111	L29	3121	J30		
2112	M26	3123	J30		
2113	M27	3125	F 4		
2114	M25	3127	G 5		
2115	D 8	3128	G 5		
2116	O 3	3166	D 3		
2117	I27	3166	C30		
2118	G31	3167	E30		
2119	I27	3168	C33		
2120	I30	3176	C32		
2121	I30	3181	M13		
2122	J29	3183	L19		
2123	D 8	3190	B14		
2124	E 3	3191	B14		
2125	J27	3192	C14		
2126	K27	3193	C14		
2127	E 8	3194	D14		
2128	G 3	3195	D14		
2130	E 4	3196	E14		
2131	E 4	3197	F14		
2132	D 4	3198	F14		
2133	D 4	3199	F14		
2134	G 4	3201	C18		
2136	F 4	3202	C18		
2150	F 7	4005	M14		
2151	E10	4006	I29		
2152	B 6	5000	G 9		
2161	C32	5001	B 8		
2162	C33	5002	B17		
2163	M 7	5003	B30		
2164	M 7	5004	E18		
2165	J33	5005	G18		
2166	L 6	5006	G27		
2167	I32	5007	H18		
2169	N30	5008	C31		
2170	C 5	5009	J18		
2175	G27	5010	D31		
2179	G28	5011	L18		
2180	K31	5012	E31		
2181	C32	5013	G23		
2185	E 9	5014	C32		
2186	F 9	5020	F33		
2187	B 8	5021	M29		
2190	K29	5022	K31		
3000	F 9	5023	L28		
3001	G30	5025	H28		
3002	G 8	5026	G31		
3003	G28	5027	J28		
3004	N 7	5030	C 4		
3006	G27	5031	E 4		
3007	E 9	5032	F 4		
3008	C31	5033	N 8		
3009	C30	6000	F 8		
3011	D31	6002	I29		
3012	D30	6004	M 4		
3013	D31	6006	M32		
3014	E31	6007	I27		
3016	E30	6008	I27		
3017	E31	6009	K28		

6.57 CHASSIS FL1.6 Y/C Detector / Y/C Detektor / Détecteur Y/C



1231	M 4
2225	J 5
2226	J 6
2228	K 3
2235	C 3
2236	H 2
2237	H 3
2238	H 4
2239	N 3
2244	C 4
2246	B 4
2247	C 5
2248	I 2
2259	G 3
2259	H 7
2261	N 2
2262	E 6
2275	H 6
2276	N 2
2277	B 4
3200	C 3
3201	C 4
3203	B 5
3204	B 6
3212	H 2
3213	G 3
3214	G 4
3221	F 5
3225	J 5
3226	J 5
3227	J 4
3228	J 4
3229	L 4
3230	L 3
3231	L 3
3231	N 1
3236	F 5
3250	G 5
3258	F 6
3272	E 7
3278	F 8
3280	F 6
3282	G 7
3283	G 7
3284	F 8
3289	G 6
3302	C 7
3307	G 8
3308	G 8
3319	C 5
4300	F 9
5200	G 3
5201	G 4
5202	B 5
5203	F 3
5204	F 4
6258	N 3
7226	K 6
7228	K 4
7262	C 5
7263	C 6
7264	H 5
7266	F 5
7267	F 6
7274	F 6
7275	F 7
7276	F 8
7277	G 8
7278	C 7

For Service Manuals Contact
MAURITRON TECHNICAL SERVICES
 8 Cherry Tree Rd, Chinnor
 Oxon, OX9 4QY
 Tel: 01844-351694 Fax: 01844-352554
 Email: enquiries@mauritron.co.uk

CHASSIS FL1

CI 16532054 024 1 REF
 12 1291

3. Electrical adjustments on the LFR box

- 3.1 Synchronisation
Connect point 5 of IC7216 to earth. Adjust R3054 until the picture is straight. Remove the short circuit.
- 3.2 16 MHz oscillator
Apply a PAL/SECAM signal. Measure the signals at point 1 of IC7219 and at point 5 of IC7216 simultaneously with an oscilloscope (fig. 7.4). Adjust coil L5027 so that the positive-going flank of the signal at point 1 of IC7219 comes 7.62 µsec after the negative-going flank of the sync pulse in the video signal (point 5 of IC7216).
- 3.3 32 MHz oscillator
Force the STABLE OSD command to the microprocessor, by disconnecting the set from a possible antenna input signal. Measure the frequency at point 41 of IC7208. Using L5023 set the frequency to 32 MHz ±50 KHz.
- 3.4 12 MHz oscillator
Switch on compress.
Measure the signals on point 1 of IC7219 and on point 5 of IC7216 simultaneously with an oscilloscope (fig. 7.4). Adjust coil L5025 so that the rising flank of the signal on point 1 of IC7219 comes 7.62 µsec after the negative flank of the sync pulse in the video signal (point 5 of IC7216).

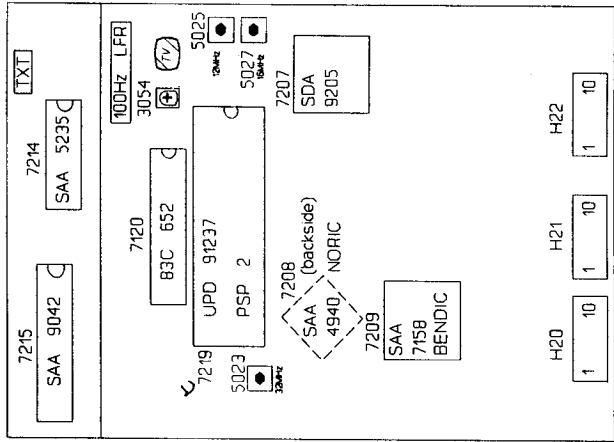


Fig 7.5

4. Electrical settings on the ECO-NICAM decoder panel

- 4.1 Neutral frequency adjustment
Connect a frequency counter via a probe (Ci ≤ 15pF) to pin 19 of IC7001 (SAA 7280) and pin 15 (GND).
Adjust C2015 in such a manner that the clock frequency is set at 728.025 kHz. (±5Hz)

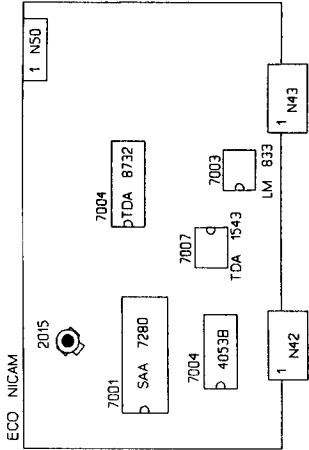


Fig 7.6

5. Y/C detector adjustment

- 5.1 PAL/SECAM
Inject a chroma signal of 4.418 MHz/200mV on pin 15 of EXT2 SCART (PL05).
Connect an oscilloscope to the collector of T7266 (T7). Using L5201 adjust the 4.418 MHz signal to maximum amplitude.
- 5.2 NTSC
As PAL/SECAM but with a signal of 3.582 MHz/200mV. Adjust with L5200.

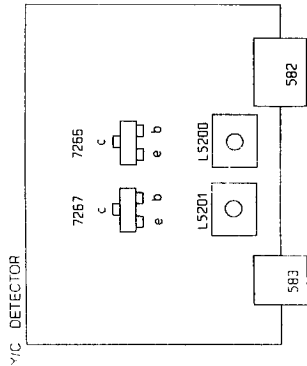


Fig 7.7

Fig 7.4

6. Electrical settings on the PIP panel

- Before carrying out each setting, it should be ensured that a P.I.P. picture with colour bar is visible on the screen and the unit should have reached its operating temperature (after ≈20 min.).
- 6.1 Horizontal synchronisation
Supply an aerial or generator signal.
Connect pin 28-IC7125 to pin 13-IC7125.
Connect pin 5-IC7755 to earth.
Measure the frequency on pin 17-IC7755 and set this to 15.625 Hz ±25 Hz with R3239.
Remove the short circuits.
- 6.2 AGC
If the picture from a strong local transmitter is distorted, adjust 3160 until the picture is not distorted.
- 6.3a Setting for PIP modules with TDA4510
a-1 Chroma bandpass filter
Connect a signal generator (e.g. PM 5326) to pin 10 of P17 and set its frequency to 4.43 MHz/0.2Vpp.
Connect an oscilloscope to pin 9-IC7126
Set L5118 to maximum amplitude.
- a-2 PAL chroma auxiliary oscillator
Connect a pattern generator and supply a PAL colour bar pattern. Connect pin 11-IC7126 (TDA4510) to earth.
Set C2202 so that the colour of the PIP picture is practically still.
Remove the interconnection.
- a-3 The delayline
Connect a pattern generator and supply a PAL colour bar signal. Connect the X-input of the oscilloscope to pin 1-IC7126 (TDA4510).
Connect the Y-input of the oscilloscope to 2-IC7126 (TDA4510). Set the oscilloscope to the X-Y position.
Set L5155 and L5157 so that the vectors lie in one line (points which are furthest from the origin).
Set the pattern generator to the "DEM" mode.
Set R3157 so that the vectors lie on top of one another in the origin.
- 6.3b Setting for PIP modules with TDA4554
b-1 Chroma bandpass filter
Connect a signal generator (e.g. PM 5326) to pin 10 of P17 and set its frequency to 4.286 MHz/0.2 Vpp.
Connect an oscilloscope to pin 15-IC7125.
Set L5118 to maximum amplitude.
Remove the interconnection.

- b-2 PAL chroma auxiliary oscillator
Connect a pattern generator and supply a PAL colour bar pattern. Connect pin 17-IC7125 (TDA4554) to earth.
Set C2202 so that the colour of the PIP picture is practically still.
Remove the interconnection.
- b-3 NTSC chroma auxiliary oscillator
Connect a pattern generator and supply an NTSC M colour bar pattern. Connect pin 17-IC7125 to earth. Set C2212 so that the colour of the PIP picture is practically still.
Remove the interconnection.
- b-4 The delay line
Connect a pattern generator and supply a PAL colour bar signal. Connect the X-input of the oscilloscope to pin 1-IC7125 (TDA4554).
Connect the Y-input of the oscilloscope to pin 3-IC7125 (TDA4554). Set the oscilloscope to the X-Y position.
Set L5155 and L5157 so that the vectors lie in one line (points which are furthest from the origin).
Set the pattern generator to the "DEM" mode.
Set R3157 so that the vectors lie on top of one another in the origin.
- b-5 SECAM identification
Connect a pattern generator and supply a SECAM colour bar signal.
Connect pin 27-IC7125 to pin 13-IC7125.
Connect an oscilloscope to pin 21-IC7125.
Adjust L5190 to maximum DC level.
Remove the interconnection.
- b-6 SECAM demodulators
Connect a pattern generator and supply a SECAM signal without contents (black). Connect pin 27-IC7125 to pin 13-IC7125. Connect an oscilloscope to pin 1-IC7125. Using L5175, set the DC level during the scan equal to the DC level during the flyback.
In the same way set L5170, but now measure at pin 3-IC7125.
Remove the interconnection.

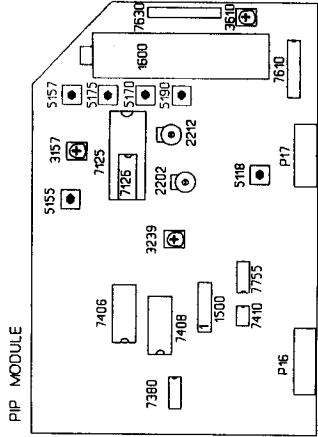


Fig 7.8

7.5 CHASSIS FL1.6 Electrical adjustments

7. Adjustments in the service menu

Switch in the service menu by connecting pins S23 and S24 on the small-signal panel briefly with each other (see section 9).

The various adjustments can be activated using the colour and +/- keys on the remote control or on the set. By selecting "store" in the menu the adjusted values are stored in memory and the Service Menu is exited

7.1 White balance

- Connect a pattern generator and choose a white picture.
- Choose b (white balance)
- Select a (green) or b (blue)
- Using "P +/-" or "menu +/-" adjust the values of green ("GREEN") and blue ("BLUE") until the desired white balance has been reached.
- Press the "menu" key
- Store the chosen value by selecting "store" in the menu.

7.2 Cut off

- Select c (cut off)
- Select a (green) or b (blue)

7.3 Options

The control unit used in this set has been prepared for operation of all the functions possible with this set. For correct operation, however, the control unit has to "know" the functions/features located in the set. This is done with a so-called option code.

A number is allocated to each function. The possible functions are shown with their respective numbers in the tables alongside.

Optioncode 1

The numbers of the functions shown in the table have to be added to each other. The total forms the number for option code 1.

For example, a set has:

Function	Number
Front-end FQ618/ME/IF	2
A PIP module	8
...	...
Optioncode 1 now becomes	10

Option code 2

The number of the functions shown in the table have to be added to each other. The total forms the number for option code 2.

For example, a set has:

Function	Number
IC7175 present on SSP	1
100 Hz high-end box	4
...	...
Option code 2 now becomes	5

The option codes are set as follows:

- Select "options" in the service menu.
- Select option 1, 2, 3 or 4.
- Using the "menu +/-" or "P +/-" key select the required option number
- Press the "menu" key
- Store the chosen value by selecting "store" in the menu

These option codes are software adaptations. If the set has to be equipped for these features, the necessary hardware has also to be fitted.

Optioncode 2	
Nbr	Function
1	IC7175 present on SSP Applicable in case IC7175 (PCF8574) is present on the SSP (this is the case in all FL1.6AA sets).
2	Automatic 1/2 figure mode The set recognizes a-2 figure program number if two numbers are entered quickly enough in succession on the remote control.
4	100 Hz High-end box fitted This is always the case.
32	ECO NICAM module present In this case the digital sound broadcast in NICAM transmissions can also be received (see further the number 64 of option code 1).
64	LFR box present This is always the case

Optioncode 3 = 0

Optioncode 4	
Nbr	Function
1	Teletext Peaking Filter on/off for LFR-Box (Scandinavia)

For Service Manuals Contact
MAURITRON TECHNICAL SERVICES
 8 Cherry Tree Rd, Chinnor
 Oxon OX9 4QY
 Tel:- 01844-351694 Fax:- 01844-352554
 Email:- enquiries@mauritron.co.uk

Optioncode 1	
Nbr.	Function
0	Front end = FQ816/16IF A reception of PAL BG or PAL BG and SECAM BG is now possible
1	Front-End = FQ844 Only reception of the UHF band is now possible
2	Front end = FQ816/ME/IF Reception of SECAM L but not of SECAM L' is now possible (reception of NTSC-M is now usually also possible).
4	Front end = FQ816/MF/IF Reception of both SECAM L and SECAM L' is now possible (NTSC M reception is generally possible now via the Euroconnector).
8	PIP module fitted This makes it possible to show PIP (Picture in Picture) displays.
16	NTSC-M reception possible This is normally always in combination with front end FQ816/ME/IF or FQ816/MF/IF
32	SECAM DK module fitted In this case transmissions using the SECAM DK system can also be received.
64	NICAM module fitted In this case the digital sound with NICAM transmission can be received.
128	Second front end for PIP fitted If this second front end is fitted a second transmitter can be displayed in the PIP picture. The PIP function (number 8) still applies

8.1 CHASSIS FL1.6 Repair tips

1. The Service Default Mode

The FL1.6 is equipped with a service default mode. The service default mode is a fixed, definite state to which the set can be switched.

1.1 Definition state

The definition of the fixed state in the service default mode is as follows:

all sound and picture controls are in the central position (exception volume which is turned down)

- tuned to 475.25 MHz
- system:
 - * PAL/SECAM BG for Multi Europe
 - * PAL I for UK
 - * SECAM L for Multi French

1.2 Switch on and off

The service default mode is switched on by shorting pins S24 and S25 on the small signal panel.

The service default mode can only be switched off by switching the set to stand-by. If the set is switched off and then on again using the mains switch or the mains plug, the service default mode will remain on.

If the set switches to stand-by immediately after switching-on, the set cannot be operated and also cannot be switched to the service default mode. The child-proof lock has already been activated. To deactivate the child-proof lock the following series of commands has to be given using the remote control (see also Section 9):

<MENU>-<BLUE>-<RED>-<MENU+>-
<MENU OFF>

1.3 Fault signals

To indicate that the set is in the service default mode, the following is displayed on the screen:

SERVICE 00 00 05 06 05

The five numbers after the word "service" stand for the last five fault signals noted by the operator(s). The number on the extreme right represents the last fault signal, that on the extreme left the last fault signal but 4.

Since this enables fault reports to be looked at afterward, it means that intermittent faults can be traced.

When the set leaves the service default mode, the fault-report memory is cleared.

1.4 Operation

During the service default mode the set will accept all operating commands. When, however, the set is switched off and on, it will return to the state as defined above.

2. Software protection

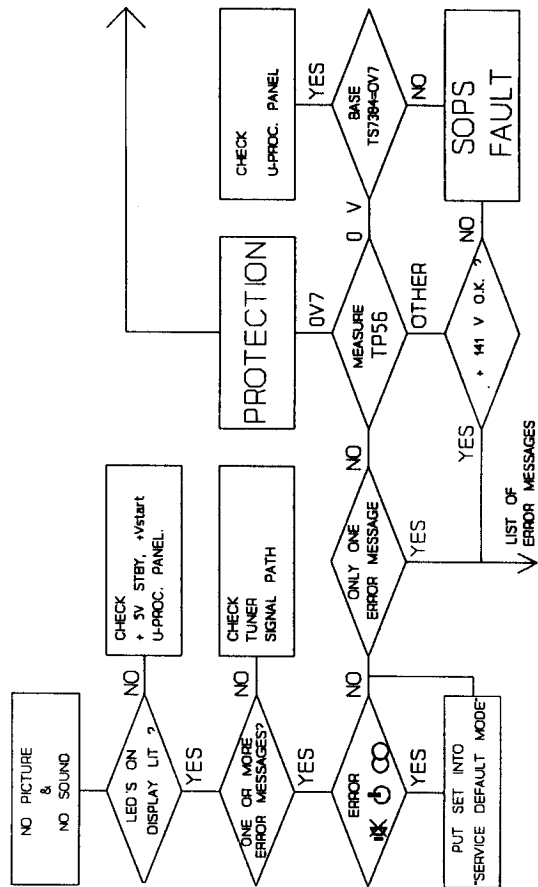
If it is observed by the control that the front end has ceased to give an IC response, or that IC7430, IC7600 and also IC 7680 are no longer giving any response, the set will switch to the protection mode since it will be assumed that the +5 V or the +13 V power-supply voltage is absent. This software protection device consists of a fault signal (LEDs \odot \otimes \odot , code99) and the switching of the set to stand-by. To enable the fault to be traced, the set has now to be switched to the service default mode. The software protection system is then switched out of circuit.

3. Replacement of EEPROM IC7137

If, during a repair, the EEPROM has to be replaced, the microprocessor will detect that the EEPROM is empty. A fault signal (No. 21) will then be displayed.

If the service mode is now activated (see section 7), the microprocessor will load the EEPROM with a number of standard values for the white balance and the other linear settings. These values, however, must all be checked and, if necessary, re-adjusted.

All options have also to be set, the programs installed and the personal preference set.



For Service Manuals Contact
MAURITRON TECHNICAL SERVICES
 8 Cherry Tree Rd, Chinnor
 Oxon OX9 4QY
 Tel:- 01844-351694 Fax:- 01844-352554
 Email:- enquiries@mauritron.co.uk

Error number on screen 1 ¹⁾	Flashing LED				Description of error
	⊗	⊙	⊕	⊖	
3		X	X	X	I ² C, IC7108, SSP [H] (MSM6307)
4			X	X	I ² C, IC7201, HIGH END BOX, [L] (SAA9042) I ² C, IC7215, LFR BOX [L] (SAA9042)
5			X	X	I ² C, IC7220, LFR BOX, [M] (8 C652)
6			X	X	I ² C, IC7408, PIP [J] (SDA9088)
7			X	X	I ² C, IC7600, SSP [F] (TDA8417)
9			X	X	I ² C, IC7680, SSP [F] (TDA8425)
10			X	X	I ² C, IC7430, SSP [D] (TDA4680)
11			X	X	I ² C, IC7395, SSP [D] (TDA8443)
12			X	X	I ² C, front-end, SSP [C] (FO 816)
13			X	X	I ² C, IC7137, SSP [H] (X24C04)
14			X	X	I ² C, bus on chassis blocked
15			X	X	I ² C, IC7258, SSP [C] (HEF4094)
16			X	X	I ² C, IC7219, SSP [C] (TEA6414)
17			X	X	I ² C, IC7040, SAT Interface [P] (TEA6414)
18			X	X	IR-receiver on SSP [H] blocked (1100)
19			X	X	7115, SSP, μ proc. [H]
20			X	X	UART Bus blocked, 7115, SSP, μ proc. [H]
21			X	X	7115, SSP, μ proc. [H]
28			X	X	EAROM X24C04 empty, IC7137, SSP [H] (§ 8.3)
29			X	X	I ² C, PIP tuner [J]
30			X	X	I ² C, IC7638, PIP-module [J], (SAA1300)
31			X	X	I ² C, IC7175, SSP [C] (PCF8574)
33			X	X	I ² C, IC7001, NICAM-panel [K] (SAA7280)
34 ¹⁾			X	X	I ² C, PLL (1500) PIP module [L]
35 ¹⁾			X	X	LNC supply on SAT box [Q,R] not correct
36 ¹⁾			X	X	IM-bus on SAT box [Q,S] blocked.
37 ¹⁾			X	X	I ² C, bus on SAT box blocked.
28 ¹⁾			X	X	I ² C, IC7450, D2-MAC [S] (X24C02)
39 ¹⁾			X	X	I ² C, SAT Tuner [Q] (SF914; SF916)
40 ¹⁾			X	X	HEF STROBE 1, IC7925, FSS [T] (HEF4094)
41 ¹⁾			X	X	D2-MAC [S]
42 ¹⁾			X	X	HEF STROBE 2, IC7475, D2-MAC [S] (HEF4094)
43 ¹⁾			X	X	IC7250, TUNER/CONTROL [Q]
44 ¹⁾			X	X	UART bus blocked IC7250, TUNER/CONTROL [Q].
45 ¹⁾			X	X	SAT Tuner [Q] (SF914/916)
46 ¹⁾			X	X	IC7250, TUNER/CONTROL [Q]
47 ¹⁾			X	X	IC7250, TUNER/CONTROL [Q]
48 ¹⁾			X	X	IC7282, TUNER/CONTROL [Q]
49 ¹⁾			X	X	D2-MAC [S]
51 ¹⁾			X	X	EAROM X24C02 empty, 7450, D2-MAC [S] (§17)
52 ¹⁾			X	X	IC7250, TUNER/CONTROL [Q]
99			X	X	D2B Bus EXT, SSP [H] blocked. Protection

¹⁾ This error is only possible on sets with built in SAT box. In case an error indication on the set is not included in this table, then check the error codes (see §7.6).

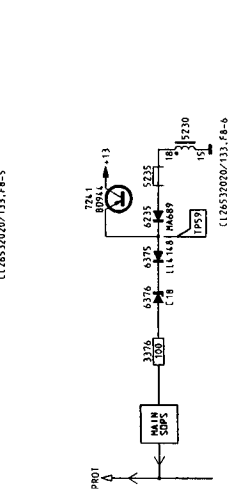
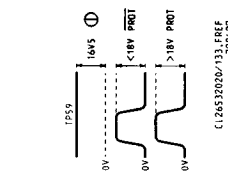
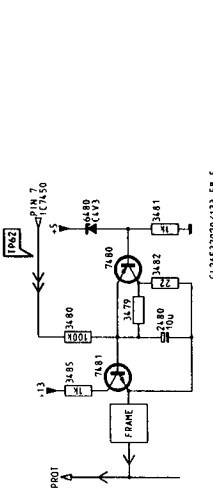
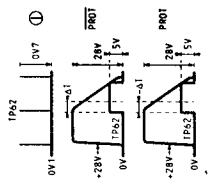
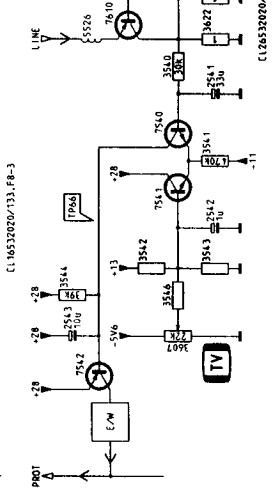
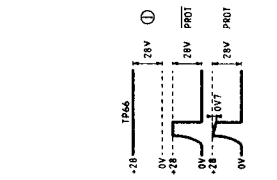
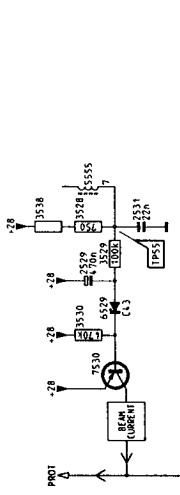
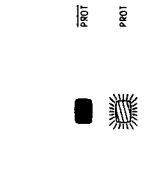
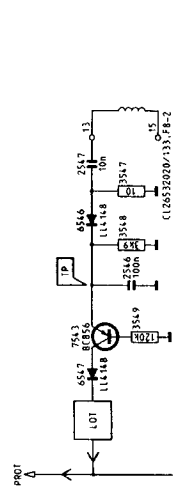
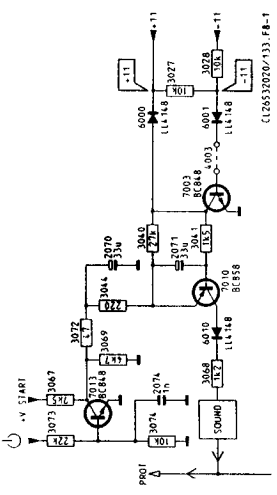
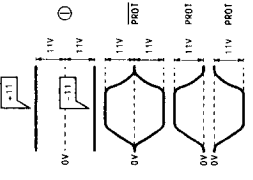
+ 11 V
- 11 V

EHT



+V

CHASSIS FL1.6 8.4



8.5 CHASSIS FL1.6 Repair tips

4. Servicing of SMDs (Surface Mounted Devices)

- 4.1 General cautions on handling and storage
 - a. Oxidation on the terminals of SMDs results in poor soldering. Do not handle SMDs with bare hands.
 - b. Avoid using storage places that are sensitive to oxidation such as places with sulphur or chlorine gas, direct sunlight, high temperatures or a high degree of humidity.
 - c. The capacitance or resistance value of the SMDs may be affected by this.
- 4.2 Rough handling of circuit boards containing SMDs may cause damage to the components as well as the circuit boards. Circuit boards containing SMDs should never be bent or flexed. Different circuit board materials expand and contract at different rates when heated or cooled and the components and/or solder connections may be damaged due to the stress. Never rub or scrape chip components as this may cause the value of the component to change. Similarly, do not slide the circuit board across any surface.

- 4.1 Removal of SMDs
 - a. Heat the solder (for 2-3 seconds) at each terminal of the chip. By means of litz wire and a slight horizontal force, small components can be removed with the soldering iron. They can also be removed with a solder sucker (see Fig. 8.1A) or: While holding the SMD with a pair of tweezers, take it off gently using the soldering iron's heat applied to each terminal (see Fig. 8.1B).
 - b. Remove the excess solder on the solder lands by means of litz wire or a solder sucker (see Fig. 8.1C).

- Caution on removal:
 - a. When handling the soldering iron, use suitable pressure and be careful.
 - b. When removing the chip, do not use undue force with the pair of tweezers.
 - c. The soldering iron to be used (approx. 30 W) should preferably be equipped with a thermal control (soldering temperature: 225 to 250°C).
 - d. The chip, once removed, must never be reused.
- 4.3 Attachment of SMDs
 - a. Locate the SMD on the solder lands by means of tweezers and solder the component on one side. Ensure that the component is positioned correctly on the solder lands (see Fig. 8.2A).
 - b. Next complete the soldering of the terminals of the component (see Fig. 8.2B).

- Caution when attaching SMDs:
 - a. When soldering the SMD terminals, do not touch them directly with the soldering iron. The soldering should be done as quickly as possible; care must be taken to avoid damage to the terminals of the SMDs themselves.
 - b. Keep the SMD's body in contact with the printed board when soldering.
 - c. The soldering iron to be used (approx. 30 W) should preferably be equipped with a thermal control (soldering temperature: 225 to 250°C).
 - d. Soldering should not be done outside the solder land.
 - e. Soldering flux (of rosin) may be used, but should not be acidic.
 - f. After soldering, let the SMD cool down gradually at room temperature.
 - g. The quantity of solder must be proportional to the size of the solder land. If the quantity is too great, the SMD might crack or the solder lands might be torn loose from the printed board (see Fig. 8.3).

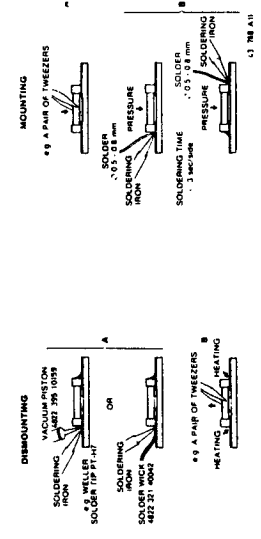


Fig 8.1

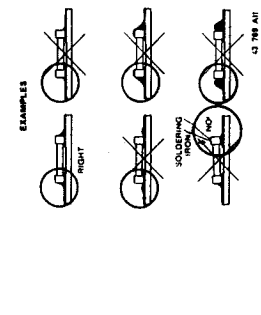


Fig 8.2

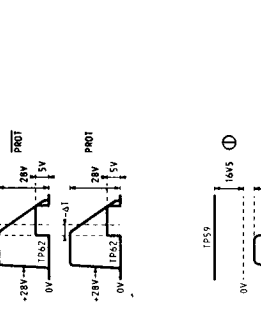
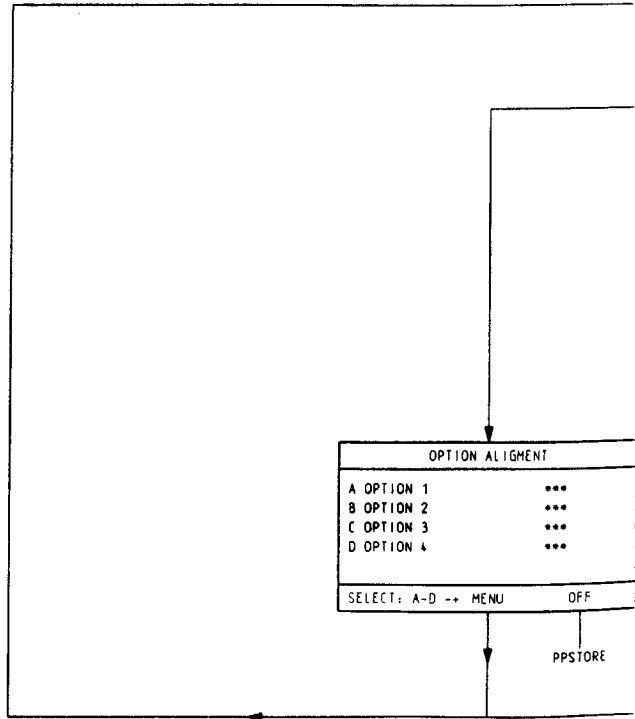
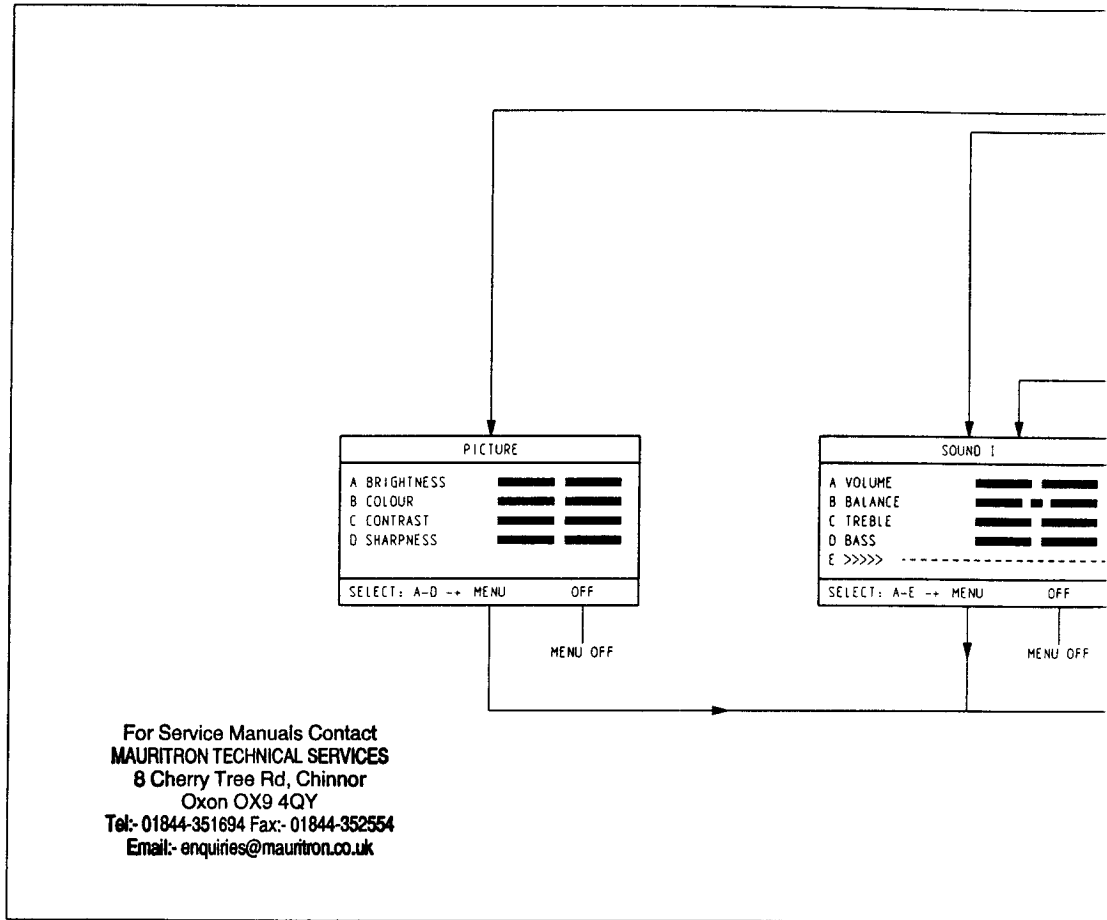


Fig 8.3



MAIN MENU

PRESS "MENU" ON THE REMOTE CONTROL

MAIN MENU	
A PICTURE	
B SOUND	
C RECORDING SOURCE	-----
D SPECIAL FEATURES	-----
E PROGRAMME LIST	-----
SELECT: A-E	OFF

MENU OFF

SOUND I	
A VOLUME	██████████
B BALANCE	██████████
C TREBLE	██████████
D BASS	██████████
E >>>>	-----
SELECT: A-E → MENU	OFF

MENU OFF

SOUND II	
A SPEECH	ON/OFF
B SPATIAL	ON/OFF
C SOUND MODE	STEREO/MONO
D >>>>	-----
SELECT: A-D → MENU	OFF

MENU OFF

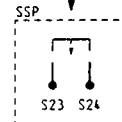
RECORDING SOURCE	
A TV TO VCR	
B AUX TO VCR	
C FRONT TO VCR	
SELECT: A-C	MENU OFF

MENU OFF

MENU

BACK TO MAIN MENU

SERVICE MENU



SERVICE 91-12-18	
A OPTION ALIGNMENT	
B WHITE DRIVE ALIGNMENT	
C CUT OFF ALIGNMENT	
D STORE	
SELECT: A-D	MENU OFF

PPSTORE

OPTION ALIGNMENT	
A OPTION 1	***
B OPTION 2	***
C OPTION 3	***
D OPTION 4	***
SELECT: A-D → MENU	OFF

PPSTORE

WHITE DRIVE ALIGNMENT	
A WHITE DRIVE GREEN	***
B WHITE DRIVE BLUE	***
SELECT: A-B → MENU	OFF

PPSTORE

CUT OFF ALIGNMENT	
A CUT OFF GREEN	***
B CUT OFF BLUE	***
SELECT: A-B → MENU	OFF

PPSTORE

MAIN MENU

PRESS "MENU" ON THE REMOTE CONTROL

MAIN MENU

A PICTURE
B SOUND
C RECORDING SOURCE
D SPECIAL FEATURES
E PROGRAMME LIST

SELECT: A-E OFF

MENU OFF

RECORDING SOURCE

A TV TO VCR
B AUX TO VCR
C FRONT TO VCR

SELECT: A-C MENU OFF

STOP DEMONSTRATION BY SWITCHING OFF THE SET

SPECIAL FEATURES

A CHILD LOCK ON/OFF
B SLEEPTIMER OFF/05-90
C PP STORE
D DEMONSTRATION ON/OFF
E PIP SIZE SMALL/LARGE

SELECT: A-E --> MENU OFF

PROGRAMME LIST

PR. NAME	PR. NAME	PR. NAME
0 ...	10 ...	20 ...
1 ...	11 ...	21 ...
2 ...	12 ...	22 ...
3 ...	13 ...	23 ...
4 ...	14 ...	24 ...
5 ...	15 ...	25 ...
6 ...	16 ...	26 ...
7 ...	17 ...	27 ...
8 ...	18 ...	28 ...
9 ...	19 ...	29 ...

SELECT: MENU OFF

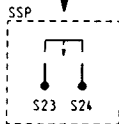
MENU OFF

MENU

BACK TO MAIN MENU

For Service Manuals Contact
MAURITRON TECHNICAL SERVICES
8 Cherry Tree Rd, Chinnor
Oxon OX9 4QY
Tel:- 01844-351694 Fax:- 01844-352554
Email:- enquiries@mauritron.co.uk

SERVICE MENU



SERVICE 91-12-18

A OPTION ALIGNMENT
B WHITE DRIVE ALIGNMENT
C CUT OFF ALIGNMENT
D STORE

SELECT: A-D MENU OFF

PPSTORE

CUT OFF ALIGNMENT

A CUT OFF GREEN ***
B CUT OFF BLUE ***

SELECT: A-B --> MENU OFF

PPSTORE

SERVICE STORED

A OPTION ALIGNMENT
B WHITE DRIVE ALIGNMENT
C CUT OFF ALIGNMENT
D STORE

SELECT: A-D --> MENU OFF

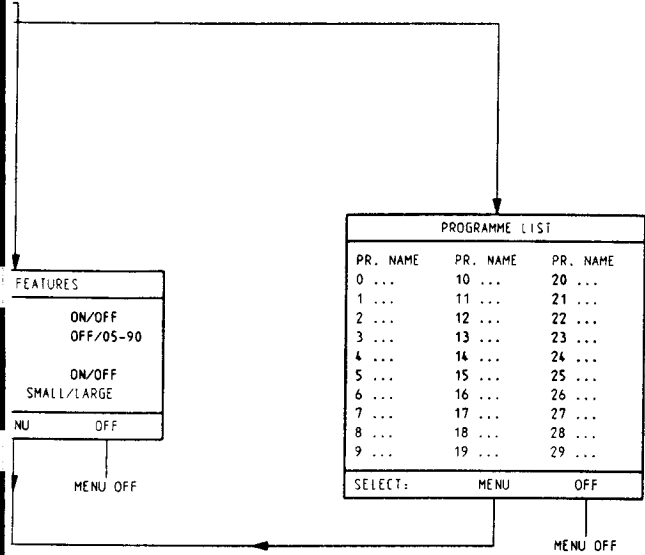
PPSTORE

PPSTORE

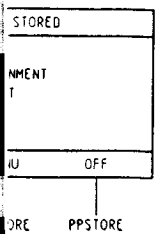
ALIGNMENT

OFF

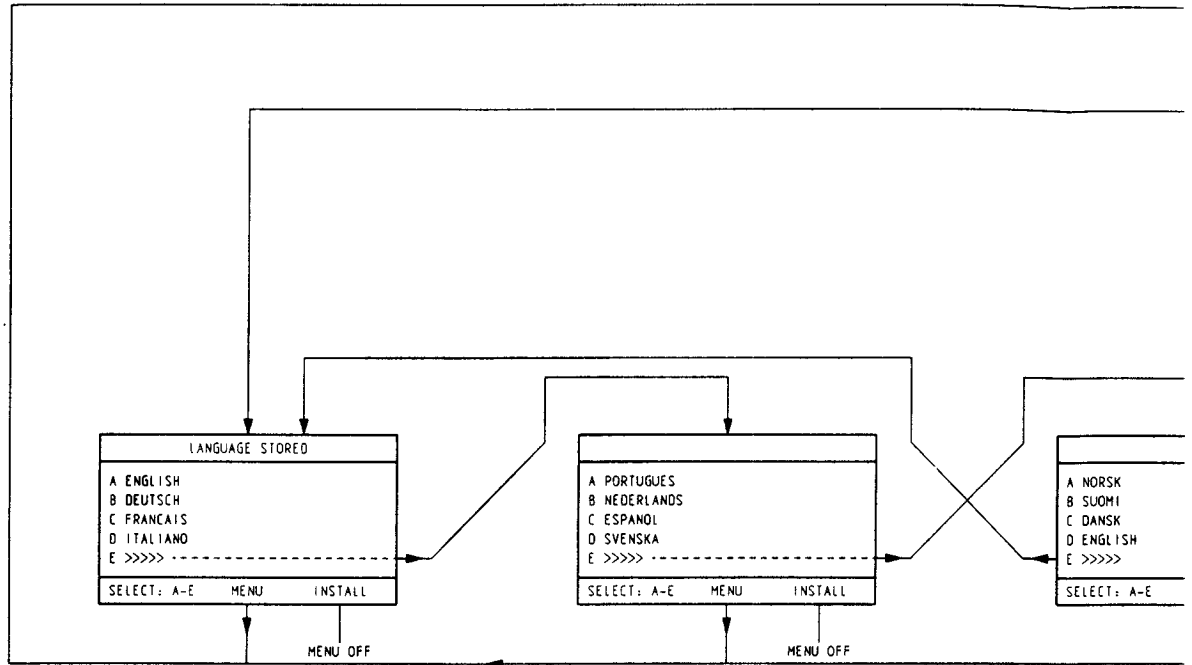
PPSTORE



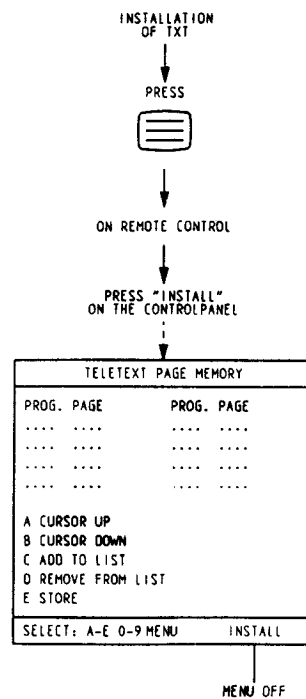
For Service Manuals Contact
MAURITRON TECHNICAL SERVICES
 8 Cherry Tree Rd, Chinnor
 Oxon OX9 4QY
 Tel:- 01844-351694 Fax:- 01844-352554
 Email- enquiries@mauritron.co.uk

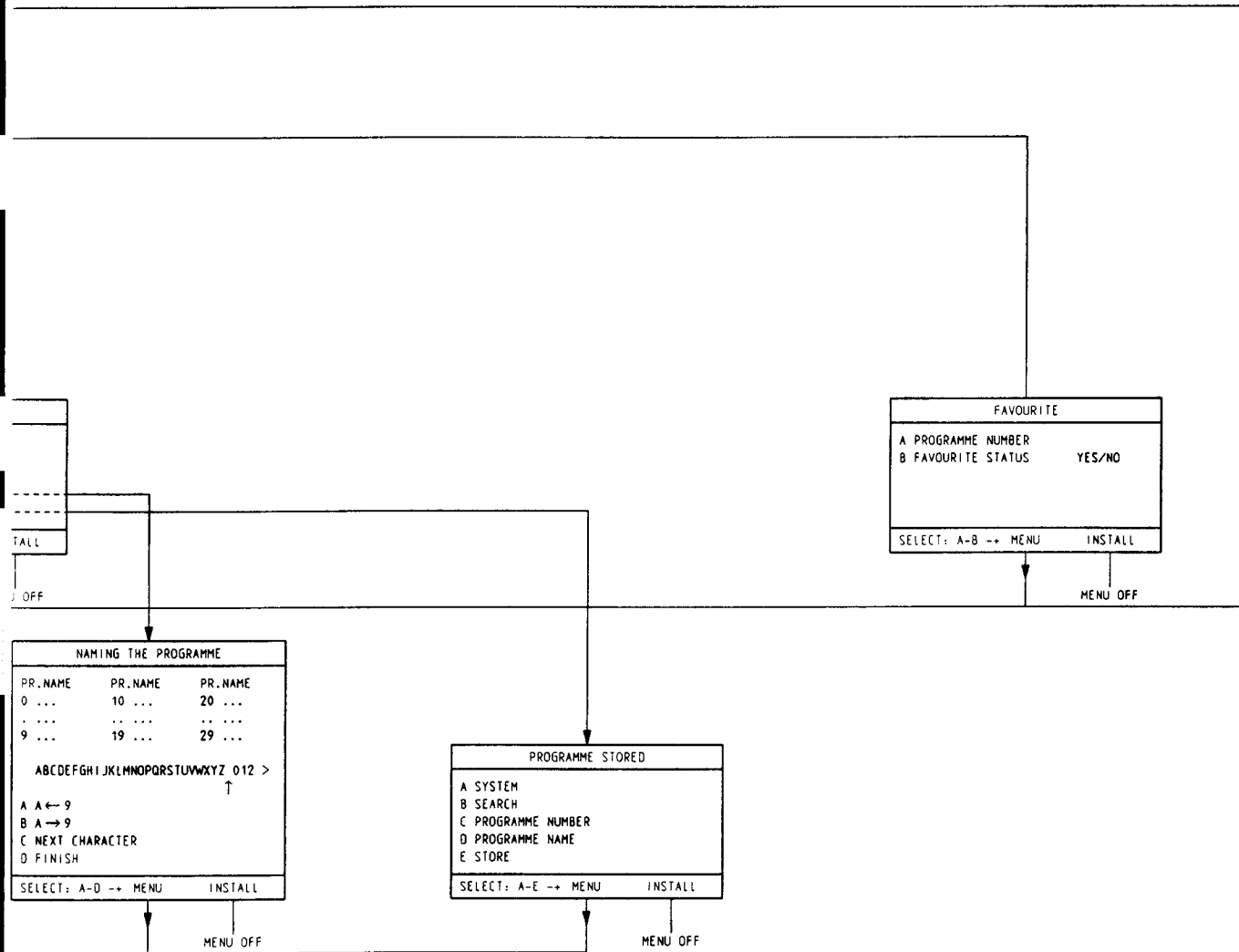


9.4 CHASSIS FL1.6 List of menus



For Service Manuals Contact
MAURITRON TECHNICAL SERVICES
 8 Cherry Tree Rd, Chinnor
 Oxon OX9 4QY
 Tel: 01844-351694 Fax: 01844-352554
 Email: enquiries@mauritron.co.uk





For Service Manuals Contact
MAURITRON TECHNICAL SERVICES
 8 Cherry Tree Rd, Chinnor
 Oxon OX9 4QY
 Tel: 01844-351694 Fax: 01844-352554
 Email: enquiries@mauritron.co.uk

Spare parts list / Stückliste / Liste

Large signal panel

Connectors

4822 268 30359	6P female
4822 268 30360	10P female
4822 268 40472	10P female
4822 268 40473	gold plated
4822 268 40295	7P male
4822 268 40818	8P male
4822 268 40985	6P male
4822 268 40207	3P male
4822 268 30389	2P male
4822 268 40596	2P male
4822 268 20512	2P male green
4822 268 30953	6P male
4822 268 50149	10P male
4822 268 30389	gold plated
4822 268 30984	5P male
4822 268 30984	5P

Various parts

4822 492 70143	spring 10 X 33MM
4822 492 62078	spring fix transistor
4822 492 70788	spring fix IC
4822 492 70789	spring fix transistor
4822 276 12998	main switch
4822 266 30274	fuse holder
4822 250 50812	socket for ext.
4822 267 20417	loudspeakers
4822 267 20417	socket for
4822 267 13094	socket for
4822 276 13094	ON/OFF
4822 320 11086	focus cable
4822 320 20182	EHT cable
4822 212 30203	SOPS panel
4822 310 31983	SOPS panel
4822 212 30195	NTSC ASSY
1010	4822 212 30195
1200	4822 070 33152
1250	4822 070 33152

+

2001	4822 122 31773	560pF 5% 50V
2001	4822 122 31784	47nF 10% 63V
2002	4822 122 31784	47nF 10% 50V
2003	4822 126 11175	22pF 5% 50V
2004	4822 122 32142	270pF 5% 63V
2005	4822 122 32142	270pF 5% 63V
2007	4822 122 31797	22nF 10% 63V
2008	4822 122 31797	22nF 10% 63V
2009	4822 126 11175	22pF 5% 50V
2010	4822 122 32597	5.6nF 10% 63V
2011	4822 122 31773	560pF 5% 50V
2012	4822 122 32027	220nF
2013	4822 122 32027	220nF
2014	4822 122 32597	5.6nF 10% 63V
2015	4822 124 42109	22µF 10% 50V
2016	4822 124 42109	22µF 10% 50V
2018	4822 122 31797	22nF 10% 63V
2019	4822 122 31414	10nF 100V
2020	4822 122 31414	10nF 100V
2021	4822 122 31414	10nF 100V
2022	4822 122 31414	10nF 100V
2023	5322 122 33446	3.3nF 10% 63V
2024	5322 122 33446	3.3nF 10% 63V
2025	5322 122 33446	3.3nF 10% 63V
2026	4822 122 32927	220nF
2027	4822 122 32927	220nF
2028	4822 122 32927	220nF
2029	4822 122 32927	220nF
2030	4822 126 11175	22pF 5% 50V
2031	4822 126 11175	22pF 5% 50V
2032	4822 122 31797	22nF 10% 63V
2033	4822 122 31797	22nF 10% 63V
2034	4822 122 32542	10nF 80V
2035	4822 122 31773	560pF 5% 50V
2036	4822 122 31773	560pF 5% 50V

CHASSIS FL1.6 10.1

Large signal panel

2408	4822 122 31168	270pF 10% 500V
2409	4822 122 31797	22nF 10% 63V
2410	4822 121 41854	150nF 5% 63V
2411	4822 121 41854	150nF 5% 63V
2412	4822 122 31211	100nF 10% 500V
2413	4822 122 32542	47nF 10% 63V
2414	4822 122 32542	47nF 10% 63V
2417	4822 122 32808	1.2nF 10% 63V
2418	4822 122 31797	22nF 10% 63V
2419	4822 124 40849	330µF 20% 16V
2420	4822 122 32442	10nF 50V
2421	4822 122 31746	1nF 2% 63V
2422	124 41716	220µF 20% 35V
2423	4822 122 31773	560pF 5% 50V
2424	4822 122 31773	560pF 5% 50V
2425	4822 124 41716	60µF 10% 35V
2426	4822 124 41716	60µF 10% 35V
2427	4822 124 42251	1.3nF 10% 50V
2428	4822 124 41716	220µF 20% 35V
2429	4822 122 31773	560pF 5% 50V
2430	4822 124 41854	150nF 5% 63V
2431	4822 122 32496	330µF 20% 16V
2432	4822 122 32496	330µF 20% 16V
2433	4822 122 32496	330µF 20% 16V
2434	4822 122 32496	330µF 20% 16V
2435	4822 122 32496	330µF 20% 16V
2436	4822 122 32496	330µF 20% 16V
2437	4822 122 32496	330µF 20% 16V
2438	4822 122 32496	330µF 20% 16V
2439	4822 122 32496	330µF 20% 16V
2440	4822 122 32496	330µF 20% 16V
2441	4822 122 32496	330µF 20% 16V
2442	4822 122 32496	330µF 20% 16V
2443	4822 122 32496	330µF 20% 16V
2444	4822 122 32496	330µF 20% 16V
2445	4822 122 32496	330µF 20% 16V
2446	4822 122 32496	330µF 20% 16V
2447	4822 122 32496	330µF 20% 16V
2448	4822 122 32496	330µF 20% 16V
2449	4822 122 32496	330µF 20% 16V
2450	4822 122 32496	330µF 20% 16V
2451	4822 122 32496	330µF 20% 16V
2452	4822 122 32496	330µF 20% 16V
2453	4822 122 32496	330µF 20% 16V
2454	4822 122 32496	330µF 20% 16V
2455	4822 122 32496	330µF 20% 16V
2456	4822 122 32496	330µF 20% 16V
2457	4822 122 32496	330µF 20% 16V
2458	4822 122 32496	330µF 20% 16V
2459	4822 122 32496	330µF 20% 16V
2460	4822 122 32496	330µF 20% 16V
2461	4822 122 32496	330µF 20% 16V
2462	4822 122 32496	330µF 20% 16V
2463	4822 122 32496	330µF 20% 16V
2464	4822 122 32496	330µF 20% 16V
2465	4822 122 32496	330µF 20% 16V
2466	4822 122 32496	330µF 20% 16V
2467	4822 122 32496	330µF 20% 16V
2468	4822 122 32496	330µF 20% 16V
2469	4822 122 32496	330µF 20% 16V
2470	4822 122 32496	330µF 20% 16V
2471	4822 122 32496	330µF 20% 16V
2472	4822 122 32496	330µF 20% 16V
2473	4822 122 32496	330µF 20% 16V
2474	4822 122 32496	330µF 20% 16V
2475	4822 122 32496	330µF 20% 16V
2476	4822 122 32496	330µF 20% 16V
2477	4822 122 32496	330µF 20% 16V
2478	4822 122 32496	330µF 20% 16V
2479	4822 122 32496	330µF 20% 16V
2480	4822 122 32496	330µF 20% 16V
2481	4822 122 32496	330µF 20% 16V
2482	124 42184	33µF 20% 25V
2483	4822 124 41584	100nF 20% 10V
2484	4822 124 21212	15µF 20% 40V
2485	4822 122 31847	1nF 10% 63V
2486	4822 122 31847	1nF 10% 63V
2487	4822 122 31847	1nF 10% 63V
2488	4822 122 31847	1nF 10% 63V
2489	4822 122 31847	1nF 10% 63V
2490	4822 122 31847	1nF 10% 63V
2491	4822 122 31847	1nF 10% 63V
2492	4822 122 31847	1nF 10% 63V
2493	4822 122 31847	1nF 10% 63V
2494	4822 122 31847	1nF 10% 63V
2495	4822 122 31847	1nF 10% 63V
2496	4822 122 31847	1nF 10% 63V
2497	4822 122 31847	1nF 10% 63V
2498	4822 122 31847	1nF 10% 63V
2499	4822 122 31847	1nF 10% 63V
2500	4822 122 31847	1nF 10% 63V
2501	4822 122 31847	1nF 10% 63V
2502	4822 121 41689	100nF 10% 250V
2503	4822 126 11157	470pF 10% 500V
2504	4822 126 12239	90pF 10% 2kV
2505	4822 126 11136	470pF 10% 2kV
2506	4822 126 11136	470pF 10% 2kV
2507	4822 126 11693	60pF 10% 2kV
2508	4822 126 12239	90pF 10% 2kV
2509	4822 126 11539	1.2nF 10% 2kV
2510	4822 124 41739	47nF 10% 60V
2511	4822 124 41596	22µF 20% 50V
2512	4822 124 41596	22µF 20% 50V
2513	4822 124 41596	22µF 20% 50V
2514	4822 124 41596	22µF 20% 50V
2515	4822 124 41596	22µF 20% 50V
2516	4822 122 31777	470pF 10% 500V
2517	4822 124 22449	47nF 30% 500V
2518	4822 124 41831	1µF 20% 160V
2519	4822 124 41528	47nF 5% 250V
2520	4822 121 51563	560nF 5% 250V
2521	4822 121 51563	560nF 5% 250V
2522	4822 121 51563	560nF 5% 250V
2523	4822 121 51563	560nF 5% 250V
2524	4822 121 70071	30nF 5% 630V
2525	4822 121 51563	560nF 5% 250V
2526	4822 121 51563	560nF 5% 250V
2527	4822 126 11693	60pF 10% 2kV
2528	4822 124 22467	2.2nF 20% 50V
2529	4822 124 22467	2.2nF 20% 50V
2530	4822 122 31797	22nF 10% 63V
2531	4822 121 40516	22nF 10% 250V
2532	4822 121 51563	560nF 5% 250V
2533	5322 122 32518	2.2nF 10% 100V
2534	4822 124 22467	2.2nF 20% 50V
2535	4822 124 22467	2.2nF 20% 50V
2536	4822 122 31175	1nF 10% 500V
2537	4822 124 40184	1000µF 20% 10V
2538	4822 124 42184	33µF 20% 25V
2539	4822 124 22466	1µF 20% 50V
2540	4822 124 22466	1µF 20% 50V
2541	4822 124 22466	1µF 20% 50V
2542	4822 124 22466	1µF 20% 50V
2543	4822 124 22466	1µF 20% 50V
2544	4822 122 32496	330µF 20% 16V
2545	4822 122 32496	330µF 20% 16V
2546	4822 122 32496	330µF 20% 16V
2547	4822 122 32496	330µF 20% 16V
2548	4822 122 32496	330µF 20% 16V
2549	4822 122 32496	330µF 20% 16V
2550	4822 122 32496	330µF 20% 16V
2551	4822 122 32496	330µF 20% 16V
2552	4822 122 32496	330µF 20% 16V
2553	4822 122 32496	330µF 20% 16V
2554	4822 122 32496	330µF 20% 16V
2555	4822 122 32496	330µF 20% 16V
2556	4822 122 32496	330µF 20% 16V
2557	4822 122 32496	330µF 20% 16V
2558	4822 122 32496	330µF 20% 16V
2559	4822 122 32496	330µF 20% 16V
2560	4822 122 32496	330µF 20% 16V
2561	4822 122 32496	330µF 20% 16V
2562	4822 122 32496	330µF 20% 16V
2563	4822 122 32496	330µF 20% 16V
2564	4822 122 32496	330µF 20% 16V
2565	4822 122 32496	330µF 20% 16V
2566	4822 122 32496	330µF 20% 16V
2567	4822 122 32496	330µF 20% 16V
2568	4822 122	

Proscan-box

Connectors

1750	4822 212 30009	LFR box	100F 10% 63V
	4822 265 61259	IC socket 68P	100F 10% 63V
	4822 267 70257	IC socket 48P	100F 10% 63V
	4822 265 40901	IC socket 40P	100F 10% 63V
	4822 265 40472	10P female gold plated	100F 10% 63V

Various

1001	4822 242 72572	crystal 12MHz	100F 10% 63V
1002	4822 242 71417	crystal 13.875MHz	100F 10% 63V

+

2000	4822 122 33496	100F 10% 63V	2000 2% 0.25W
2001	4822 122 33496	100F 10% 63V	1K 2% 0.25W
2002	4822 122 33496	100F 10% 63V	47K 2% 0.25W
2003	4822 122 33496	100F 10% 63V	47K 2% 0.25W
2004	4822 122 33496	100F 10% 63V	1K 2% 0.25W
2005	4822 122 33496	100F 10% 63V	1K 2% 0.25W
2006	4822 122 33496	100F 10% 63V	1K 2% 0.25W
2007	4822 122 33496	100F 10% 63V	1K 2% 0.25W
2010	4822 122 33496	100F 10% 63V	1K 2% 0.25W
2011	4822 122 33496	100F 10% 63V	1K 2% 0.25W
2012	4822 122 33496	100F 10% 63V	1K 2% 0.25W
2013	4822 122 33496	100F 10% 63V	1K 2% 0.25W
2014	4822 122 33496	100F 10% 63V	1K 2% 0.25W
2015	4822 122 33496	100F 10% 63V	1K 2% 0.25W
2016	4822 122 33496	100F 10% 63V	1K 2% 0.25W
2017	4822 122 33496	100F 10% 63V	1K 2% 0.25W
2018	4822 122 33496	100F 10% 63V	1K 2% 0.25W
2021	4822 122 33496	100F 10% 63V	1K 2% 0.25W
2022	4822 122 33496	100F 10% 63V	1K 2% 0.25W
2023	4822 122 33496	100F 10% 63V	1K 2% 0.25W
2025	4822 122 32083	8.2P 5% 50V	2000 2% 0.25W
2026	4822 122 31961	8.2P 5% 50V	1K 2% 0.25W
2028	4822 122 31961	8.2P 5% 50V	1K 2% 0.25W
2029	4822 122 31961	8.2P 5% 50V	1K 2% 0.25W
2030	4822 122 32083	8.2P 5% 50V	1K 2% 0.25W
2031	4822 122 31767	50P 5% 50V	1K 2% 0.25W
2032	4822 122 31772	47P 5% 50V	1K 2% 0.25W
2033	4822 122 32083	8.2P 5% 50V	1K 2% 0.25W
2034	4822 122 33496	100F 10% 63V	1K 2% 0.25W
2035	4822 122 31767	50P 5% 50V	1K 2% 0.25W
2036	4822 122 31772	47P 5% 50V	1K 2% 0.25W
2037	4822 122 31765	100F 5% 50V	1K 2% 0.25W
2038	4822 122 31765	100F 5% 50V	1K 2% 0.25W
2039	4822 122 31765	100F 5% 50V	1K 2% 0.25W
2040	4822 122 33496	100F 10% 63V	1K 2% 0.25W
2041	4822 122 31825	27P 10% 50V	1K 2% 0.25W
2043	4822 122 32442	10F 50V	1K 2% 0.25W
2044	4822 122 32442	10F 50V	1K 2% 0.25W
2045	4822 124 41576	2.2uF 20% 50V	1K 2% 0.25W
2046	4822 124 40435	10uF 20% 50V	1K 2% 0.25W
2047	4822 122 32504	15pF 5% 50V	1K 2% 0.25W
2048	4822 124 41576	2.2uF 20% 50V	1K 2% 0.25W
2049	4822 122 33496	100F 10% 63V	1K 2% 0.25W
2050	4822 124 41997	470P 20% 10V	1K 2% 0.25W
2051	4822 122 32504	15pF 5% 50V	1K 2% 0.25W
2052	4822 122 32142	370P 5% 63V	1K 2% 0.25W
2053	4822 122 32504	15pF 5% 50V	1K 2% 0.25W
2054	4822 122 32504	15pF 5% 50V	1K 2% 0.25W
2055	5322 122 31647	10F 10% 63V	1K 2% 0.25W
2056	4822 122 31727	470P 5% 63V	1K 2% 0.25W
2057	4822 122 31797	22F 10% 63V	1K 2% 0.25W
2058	4822 122 32142	270P 5% 63V	1K 2% 0.25W
2059	4822 122 31765	100F 5% 50V	1K 2% 0.25W
2060	4822 122 31772	47P 5% 50V	1K 2% 0.25W
2061	4822 122 31772	47P 5% 50V	1K 2% 0.25W
2062	4822 122 31772	47P 5% 50V	1K 2% 0.25W
2063	4822 122 31772	47P 5% 50V	1K 2% 0.25W
2064	4822 122 31772	47P 5% 50V	1K 2% 0.25W
2065	4822 122 33496	100F 10% 63V	1K 2% 0.25W

Proscan-box

3055	4822 051 10201	2000 2% 0.25W	2000 2% 0.25W
3056	4822 051 10201	100 2% 0.25W	100 2% 0.25W
3057	4822 051 10472	47K 2% 0.25W	47K 2% 0.25W
3058	4822 051 10472	47K 2% 0.25W	47K 2% 0.25W
3060	4822 051 10123	1K 2% 0.25W	1K 2% 0.25W
3061	4822 051 10622	6K 2% 0.25W	6K 2% 0.25W
3062	4822 051 10103	10K 2% 0.25W	10K 2% 0.25W
3063	4822 051 10471	470 2% 0.25W	470 2% 0.25W
3064	4822 051 10104	100K 2% 0.25W	100K 2% 0.25W
3065	4822 051 10824	820K 2% 0.25W	820K 2% 0.25W
3066	4822 051 10242	2K 2% 0.25W	2K 2% 0.25W
3067	4822 051 10103	10K 2% 0.25W	10K 2% 0.25W
3068	4822 051 10103	10K 2% 0.25W	10K 2% 0.25W
3069	4822 051 10008	0.1 5% 0.25W	0.1 5% 0.25W
3070	4822 051 10242	2K 2% 0.25W	2K 2% 0.25W
3071	4822 051 10242	2K 2% 0.25W	2K 2% 0.25W
3072	4822 051 10103	10K 2% 0.25W	10K 2% 0.25W
3073	4822 051 10221	200 2% 0.25W	200 2% 0.25W
3074	4822 051 10824	820K 2% 0.25W	820K 2% 0.25W
3075	4822 051 10471	470 2% 0.25W	470 2% 0.25W
3076	4822 051 10824	820K 2% 0.25W	820K 2% 0.25W
3077	4822 051 10471	470 2% 0.25W	470 2% 0.25W
3078	4822 051 10471	470 2% 0.25W	470 2% 0.25W
3079	4822 051 10471	470 2% 0.25W	470 2% 0.25W
3082	4822 051 20222	2K 2% 0.25W	2K 2% 0.25W
3083	4822 051 20222	2K 2% 0.25W	2K 2% 0.25W
3084	4822 051 10473	47K 2% 0.25W	47K 2% 0.25W
3085	4822 116 81193	150 5% 0.33W	150 5% 0.33W
3086	4822 051 10473	47K 2% 0.25W	47K 2% 0.25W
3087	4822 051 10181	180 2% 0.25W	180 2% 0.25W
3089	4822 116 81192	120 5% 0.33W	120 5% 0.33W
3090	4822 051 10221	200 2% 0.25W	200 2% 0.25W
3091	4822 051 10221	200 2% 0.25W	200 2% 0.25W
3092	4822 051 10224	200K 2% 0.25W	200K 2% 0.25W
3093	4822 051 10104	100K 2% 0.25W	100K 2% 0.25W
3094	4822 051 10124	120K 2% 0.25W	120K 2% 0.25W
3095	4822 051 10223	22K 2% 0.25W	22K 2% 0.25W
3096	4822 051 10479	470 2% 0.25W	470 2% 0.25W
3097	4822 051 10223	22K 2% 0.25W	22K 2% 0.25W
3098	4822 051 10123	120K 2% 0.25W	120K 2% 0.25W
3099	4822 051 10272	2K 2% 0.25W	2K 2% 0.25W
3100	4822 051 10221	200 2% 0.25W	200 2% 0.25W
3101	4822 051 10221	200 2% 0.25W	200 2% 0.25W
3102	4822 051 10221	200 2% 0.25W	200 2% 0.25W
3103	4822 051 10102	1K 2% 0.25W	1K 2% 0.25W
3104	4822 051 10331	330K 2% 0.25W	330K 2% 0.25W
3105	4822 051 10472	47K 2% 0.25W	47K 2% 0.25W
3106	4822 051 10152	150 5% 0.33W	150 5% 0.33W
3107	4822 051 10221	200 2% 0.25W	200 2% 0.25W
3108	4822 051 10472	47K 2% 0.25W	47K 2% 0.25W
3109	4822 051 10109	100 2% 0.25W	100 2% 0.25W
3110	4822 051 10681	680K 2% 0.25W	680K 2% 0.25W
3111	4822 051 10102	1K 2% 0.25W	1K 2% 0.25W
3112	4822 051 10181	180 2% 0.25W	180 2% 0.25W
3113	4822 051 10152	150 5% 0.33W	150 5% 0.33W
3114	4822 051 10919	910 2% 0.25W	910 2% 0.25W
3115	4822 051 10101	100K 2% 0.25W	100K 2% 0.25W
3116	4822 051 10472	47K 2% 0.25W	47K 2% 0.25W
3117	4822 051 10102	1K 2% 0.25W	1K 2% 0.25W
3118	4822 051 10271	270 2% 0.25W	270 2% 0.25W
3119	4822 051 10332	3K 2% 0.25W	3K 2% 0.25W
3120	4822 051 10271	270 2% 0.25W	270 2% 0.25W
3121	4822 051 10272	2K 2% 0.25W	2K 2% 0.25W
3123	4822 051 10221	200 2% 0.25W	200 2% 0.25W
3125	4822 051 10759	750 2% 0.25W	750 2% 0.25W
3127	4822 051 10431	430 2% 0.25W	430 2% 0.25W
3128	4822 051 10271	270 2% 0.25W	270 2% 0.25W
3129	4822 051 10562	560 2% 0.25W	560 2% 0.25W
3161	4822 051 20222	2K 2% 0.25W	2K 2% 0.25W
3162	4822 051 10102	1K 2% 0.25W	1K 2% 0.25W
3163	4822 051 20222	2K 2% 0.25W	2K 2% 0.25W
3167	4822 051 10561	560 2% 0.25W	560 2% 0.25W
3168	4822 051 10471	470 2% 0.25W	470 2% 0.25W
3169	4822 051 10103	10K 2% 0.25W	10K 2% 0.25W
3176	4822 051 10221	200 2% 0.25W	200 2% 0.25W
3300	4822 051 10239	220 2% 0.25W	220 2% 0.25W
3360	4822 051 10109	100 2% 0.25W	100 2% 0.25W

Jumpers

4010	4822 051 10008	0.1 5% 0.25W	0.1 5% 0.25W
5000	4822 157 50961	22uH 10%	22uH 10%
5001	4822 157 60147	2.2uH	2.2uH
5002	4822 157 60147	2.2uH	2.2uH
5003	4822 157 60147	2.2uH	2.2uH
5004	4822 157 60147	2.2uH	2.2uH
5005	4822 157 60147	2.2uH	2.2uH
5006	4822 157 60147	2.2uH	2.2uH
5007	4822 157 60147	2.2uH	2.2uH
5008	4822 157 60147	2.2uH	2.2uH
5009	4822 157 60147	2.2uH	2.2uH
5010	4822 157 52403	3.3uH 10%	3.3uH 10%
5011	4822 157 60147	2.2uH	2.2uH
5012	4822 157 52403	3.3uH 10%	3.3uH 10%
5013	4822 157 60147	2.2uH	2.2uH
5014	4822 157 52224	15uH 10%	15uH 10%
5015	4822 157 60147	2.2uH	2.2uH
5016	4822 157 60147	2.2uH	2.2uH
5017	4822 157 60147	2.2uH	2.2uH
5018	4822 157 60147	2.2uH	2.2uH
5019	4822 157 52403	3.3uH 10%	3.3uH 10%
5020	4822 157 60147	2.2uH	2.2uH
5021	4822 157 60147	2.2uH	2.2uH
5022	4822 157 60147	2.2uH	2.2uH
5023	4822 156 11143	1.0uH 6%	1.0uH 6%
50			

Picture tube panel

Various parts

1030	4822 212 23711	PTP 25"-28"
1030	4822 212 23953	PIP 33"
	4822 265 20509	2P male grey
	4822 265 40596	2P male
	4822 267 40985	6P male
	4822 290 40295	7P male
	4822 492 70788	spring fix IC
	4822 255 70261	picture tube socket



2700	4822 122 33496	100nF 10% 63V
2701	4822 122 32507	6,8pF 5% 50V
2703	4822 122 33125	180pF 10% 63V
2704	4822 124 42182	3,3µF 20% 250V
2705	4822 124 40272	33µF 20% 16V

2706	4822 122 31797	22nF 10% 63V
2707	4822 121 51562	33nF 10% 1600V
2708	5322 122 31842	330pF 5% 63V
2709	4822 122 31825	27pF 10% 50V
2710	4822 122 31774	56pF 5% 50V

2711	4822 122 32507	6,8pF 5% 50V
2712	4822 126 11175	22pF 5% 50V
2713	4822 121 41156	68nF 10% 250V
2715	4822 121 41156	68nF 10% 250V
2716	4822 122 31797	22nF 10% 63V

2717	4822 121 41156	68nF 10% 250V
2720	4822 122 31774	56pF 5% 50V
2721	4822 122 32507	6,8pF 5% 50V
2726	4822 122 31797	22nF 10% 63V
2730	4822 122 31774	56pF 5% 50V

2731	5322 122 31647	1nF 10% 63V
2741	5322 122 31647	1nF 10% 63V
2751	5322 122 31647	1nF 10% 63V
2760	4822 122 31174	2,7nF 10% 500V



3537	4822 052 11128	1Ω 2% 0,5W
3700	4822 051 10182	1k8 2% 0,25W
3701	4822 051 10101	100Ω 2% 0,25W
3702	4822 051 10102	1k 2% 0,25W
3704	4822 051 10272	2k7 2% 0,25W

3706	4822 051 10332	3k3 2% 0,25W
3706	4822 050 21504	150k 1% 0,6W
3708	4822 111 50518	1k5 5% 0,5W
3710	4822 051 10008	0Ω 5% 0,25W
3711	4822 051 10101	100Ω 2% 0,25W

3712	4822 051 10272	2k7 2% 0,25W
3714	4822 051 10272	2k7 2% 0,25W
3715	4822 051 10332	3k3 2% 0,25W
3716	4822 050 21504	150k 1% 0,6W
3718	4822 111 50518	1k5 5% 0,5W

3719	4822 051 10008	0Ω 5% 0,25W
3720	4822 051 10823	82k 2% 0,25W
3721	4822 051 10101	100Ω 2% 0,25W
3724	4822 051 10272	2k7 2% 0,25W
3725	4822 051 10332	3k3 2% 0,25W

3726	4822 050 21204	120k 1% 0,6W
3727	4822 111 50518	1k5 5% 0,5W
3728	4822 111 50518	1k5 5% 0,5W
3730	4822 111 50518	1k5 5% 0,5W
3731	4822 052 10279	27Ω 5% 0,33W

3733	4822 052 10189	18Ω 5% 0,33W
3734	4822 051 10114	110k 2% 0,25W
3735	4822 051 10103	10k 2% 0,25W
3736	4822 051 10333	33k 2% 0,25W
3737	4822 051 10203	20k 2% 0,25W

3738	4822 116 52304	82k 5% 0,5W
3739	4822 116 52188	27Ω 5% 0,5W
3739	4822 116 52193	39Ω 5% 0,5W
3740	4822 051 10114	110k 2% 0,25W
3741	4822 051 10124	120k 2% 0,25W

3742	4822 051 10333	33k 2% 0,25W
3743	4822 051 10333	33k 2% 0,25W
3761	4822 051 10152	1k5 2% 0,25W
3761	4822 051 10332	3k3 2% 0,25W

Jumpers

4701	4822 051 10008	0Ω 5% 0,25W
4702	4822 051 10008	0Ω 5% 0,25W
4703	4822 051 10008	0Ω 5% 0,25W
4709	4822 051 10008	0Ω 5% 0,25W
4714	4822 051 10008	0Ω 5% 0,25W

4743	4822 051 10008	0Ω 5% 0,25W
------	----------------	-------------



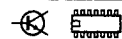
5700	4822 157 60155	33µH 7,5%
5701	4822 157 60155	33µH 7,5%



6700	4822 130 80879	LLZ-C3V0
6701	4822 130 80877	BAV103
6702	4822 130 80877	BAV103
6703	4822 130 80877	BAV103
6704	4822 130 80877	BAV103

6705	4822 130 80877	BAV103
6706	4822 130 80877	BAV103
6707	4822 130 82345	LLZ-C22
6708	4822 130 30842	BAV21
6709	4822 130 30842	BAV21

6711	4822 130 30842	BAV21
6712	4822 130 80877	BAV103
6713	4822 130 80877	BAV103
6714	4822 130 32896	BYD33M
6715	4822 130 82969	BZD23-C24



7704	4822 130 60373	BC856B
7705	4822 209 63898	TDA6111Q/N1
7705	4822 209 30417	TDA6111Q/N2
7706	4822 209 63898	TDA6111Q/N1

7706	4822 209 30417	TDA6111Q/N2
7707	4822 209 63898	TDA6111Q/N1
7707	4822 209 30417	TDA6111Q/N2

7708	4822 130 41646	BF423
7709	4822 130 41646	BF423
7710	4822 130 41646	BF423

For Service Manuals Contact
MAURITRON TECHNICAL SERVICES
 8 Cherry Tree Rd, Chinnor
 Oxon OX9 4QY
 Tel: 01844-351694 Fax: 01844-352554
 Email: enquiries@mauritron.co.uk

10.14 CHASSIS FL 1.6 Spare parts list / Stückliste / Liste

NICAM sound module

Various parts

1600	4822 212 23907	ECO-NICAM PAL BG
1600	4822 212 23908	ECO-NICAM PAL I
	4822 265 41087	9P male

Various parts

1001	4822 242 81128	cryst. 17.470 MHz
1002	4822 242 72301	filter TH316BOM-20800DAF
1002	4822 242 72303	filter TH316BQM
1003	4822 242 81126	cryst. 11.170 MHz
1003	4822 242 81127	cryst. 13.100 MHz
1106	4822 242 72303	filter TH316BQM

2000	4822 122 31947	100nF 20% 63V
2001	4822 124 40433	47µF 20% 25V
2002	4822 122 31797	22nF 10% 63V
2003	4822 122 31797	22nF 10% 63V
2004	4822 122 31768	180pF 5% 50V

2005	4822 122 31768	180pF 5% 50V
2006	5322 122 31842	330pF 5% 63V
2007	4822 122 32597	6,8nF 10% 63V
2008	4822 122 31767	150pF 5% 50V
2009	4822 122 32442	10nF 50V

2010	4822 122 31767	150pF 5% 50V
2011	4822 122 31766	120pF 5% 50V
2012	4822 121 41854	150nF 5% 63V
2013	4822 122 31746	1nF 2% 63V
2014	4822 122 32442	10nF 50V

2015	4822 125 50045	20pF trim.
2016	4822 122 31961	68pF 5% 63V
2017	4822 121 42408	220nF 5% 63V
2018	4822 122 32442	10nF 50V
2019	4822 122 31797	22nF 10% 63V

2020	4822 124 40433	47µF 20% 25V
2021	4822 122 31782	15nF 10% 50V
2021	4822 122 32856	8,2nF 10% 63V
2022	4822 122 31981	33nF 5% 50V
2022	4822 122 31759	18nF

2023	4822 122 31981	33nF 5% 50V
2023	4822 122 31759	18nF
2024	4822 122 31782	15nF 10% 50V
2024	4822 122 32856	8,2nF 10% 63V
2025	4822 122 31797	22nF 10% 63V

2026	4822 124 40433	47µF 20% 25V
2027	4822 122 31773	560pF 5% 50V
2028	4822 126 10171	2,7nF 5% 50V
2029	4822 122 32999	2,2nF 5% 50V
2030	4822 122 32999	2,2nF 5% 50V

2031	4822 126 10171	2,7nF 5% 50V
2032	4822 122 31773	560pF 5% 50V
2033	4822 126 11492	220nF 10% 63V
2034	4822 126 11492	220nF 10% 63V
2035	4822 122 31746	1nF 2% 63V

2036	4822 122 32442	10nF 50V
2037	4822 122 32442	10nF 50V
2038	4822 122 31797	22nF 10% 63V
2039	4822 126 11691	150nF 10% 63V
2040	4822 122 33669	150nF 20% 50V

2041	5322 122 31647	1nF 10% 63V
2042	4822 126 10183	330pF 10% 63V
2043	5322 122 31647	1nF 10% 63V
2044	5322 122 31647	1nF 10% 63V
2050	4822 124 40433	47µF 20% 25V

2051	5322 122 31647	1nF 10% 63V
2245	5322 122 31647	1nF 10% 63V
2246	5322 122 31647	1nF 10% 63V



3000	4822 051 10471	470Ω 2% 0,25W
3002	4822 051 10332	3k3 2% 0,25W
3003	4822 051 10332	3k3 2% 0,25W
3004	4822 051 10104	100k 2% 0,25W
3005	4822 051 10823	82k 2% 0,25W

3007	4822 051 10223	22k 2% 0,25W
3008	4822 051 10223	22k 2% 0,25W
3009	4822 051 10392	3k9 2% 0,25W
3010	4822 051 10104	100k 2% 0,25W
3011	4822 051 10104	100k 2% 0,25W

3012	4822 053 20106	10M 5% 0,25W
3013	4822 051 10824	820k 2% 0,25W
3014	4822 051 10103	10k 2% 0,25W
3015	4822 051 10682	6k8 2% 0,25W
3015	4822 051 10123	12k 2% 0,25W

3016	4822 051 10122	1k2 2% 0,25W
3016	4822 051 20222	2k2 5% 0,1W
3017	4822 051 10122	1k2 2% 0,25W
3017	4822 051 20222	2k2 5% 0,1W
3018	4822 051 10682	6k8 2% 0,25W

3018	4822 051 10123	12k 2% 0,25W
3019	4822 051 10752	7k5 2% 0,25W
3019	4822 051 10562	5k6 2% 0,25W
3020	4822 051 10472	4k7 2% 0,25W
3021	4822 051 10472	4k7 2% 0,25W

3022	4822 051 10472	4k7 2% 0,25W
3023	4822 051 10472	4k7 2% 0,25W
3024	4822 051 10184	180k 2% 0,25W
3025	4822 051 10184	180k 2% 0,25W
3026	4822 051 10101	100Ω 2% 0,25W

3027	4822 051 10101	100Ω 2% 0,25W
3028	4822 051 10103	10k 2% 0,25W
3029	4822 052 10109	10Ω 5% 0,33W
3030	4822 051 10102	1k 2% 0,25W
3031	4822 051 10102	1k 2% 0,25W

3032	4822 051 10569	56Ω 2% 0,25W
3033	4822 051 20222	2k2 5% 0,1W
3034	4822 051 10431	430Ω 2% 0,25W
3035	4822 051 10241	240Ω 2% 0,25W
3036	4822 051 10102	1k 2% 0,25W

3037	4822 051 10159	15Ω 2% 0,25W
3049	4822 051 10223	22k 2% 0,25W
3050	4822 051 10123	12k 2% 0,25W
3099	4822 051 10101	100Ω 2% 0,25W
3099	4822 051 51201	120Ω 1% 0,125W

Jumpers

4002	4822 051 10008	0Ω 5% 0,25W
4003	4822 051 10008	0Ω 5% 0,25W
4005	4822 051 10008	0Ω 5% 0,25W
4052	4822 051 10008	0Ω 5% 0,25W
4053	4822 051 10008	0Ω 5% 0,25W

4054	4822 051 10008	0Ω 5% 0,25W
4055	4822 051 10008	0Ω 5% 0,25W
4100	4822 051 10008	0Ω 5% 0,25W

5000	4822 157 50975	1mH 10%
5001	4822 157 50975	1mH 10%
5002	4822 157 51235	4,7µH 10%
5003	4822 157 51235	4,7µH 10%



6000	4822 130 30621	1N4148
6005	4822 209 30911	OF4076
6006	5322 130 31684	BB809
6050	4822 130 80446	LL4148



7000	4822 209 30909	TDA8732/C1
7001	4822 209 30914	SAA7280/M3
7002	4822 209 83163	LM833N
7003	4822 209 83163	LM833N
7004	5322 209 10576	4053B
7007	4822 209 73236	TDA1543/N2
7008	5322 130 42755	BC847C
7009	4822 130 60887	BF840
7050	5322 130 42136	BC848C

For Service Manuals Contact
MAURITRON TECHNICAL SERVICES
 8 Cherry Tree Rd, Chinnor
 Oxon OX9 4QY
 Tel: 01844-351694 Fax: 01844-352554
 Email: enquiries@mauritron.co.uk

Y/C detector

Various parts

1021	4822 212 23929	Y/C detector panel
	4822 265 40503	5P female gold plated
	4822 265 30431	3P female gold plated

Various parts

1231	4822 242 80364	filter 4,43MHz
------	----------------	----------------



2225	4822 124 40196	220µF 20% 16V
2226	4822 122 32927	220nF
2228	4822 122 32927	220nF
2235	4822 122 31965	220pF 5% 63V
2236	4822 122 31772	47pF 5% 50V
2237	4822 122 32142	270pF 5% 63V
2238	4822 122 31768	180pF 5% 50V
2239	4822 122 31947	100nF 20% 63V
2244	4822 124 20722	1µF 10% 63V
2246	4822 122 31947	100nF 20% 63V
2247	4822 122 31766	120pF 5% 50V
2261	4822 124 20678	47µF 10% 10V
2262	4822 122 31767	150pF 5% 50V
2269	4822 124 20726	4,7µF 10% 63V



3200	4822 050 11002	1k 1% 0,4W
3201	4822 116 83006	2M7 5% 0,5W
3203	4822 051 10563	56k 2% 0,25W
3204	4822 051 10103	10k 2% 0,25W
3212	4822 051 10751	750Ω 2% 0,25W
3213	4822 051 10153	15k 2% 0,25W
3214	4822 051 10153	15k 2% 0,25W
3221	4822 051 10472	4k7 2% 0,25W
3223	4822 116 52203	91Ω 5% 0,5W
3225	4822 116 52219	330Ω 5% 0,5W
3226	4822 116 52243	1k5 5% 0,5W
3227	4822 051 10112	1k1 2% 0,25W
3228	4822 051 10474	470k 2% 0,25W
3229	4822 051 10331	330Ω 2% 0,25W
3230	4822 051 10102	1k 2% 0,25W
3231	4822 051 10681	680Ω 2% 0,25W
3236	4822 051 10331	330Ω 2% 0,25W
3250	4822 051 10151	150Ω 2% 0,25W
3258	4822 051 10102	1k 2% 0,25W
3272	4822 051 10471	470Ω 2% 0,25W
3278	4822 051 10472	4k7 2% 0,25W
3280	4822 051 10102	1k 2% 0,25W
3282	4822 051 10103	10k 2% 0,25W
3283	4822 051 10472	4k7 2% 0,25W
3284	4822 051 10102	1k 2% 0,25W
3289	4822 051 10102	1k 2% 0,25W
3302	4822 051 10102	1k 2% 0,25W
3307	4822 051 10474	470k 2% 0,25W
3308	4822 051 10471	470Ω 2% 0,25W
3309	4822 051 10008	0Ω 5% 0,25W
3319	4822 051 10102	1k 2% 0,25W
3991	4822 051 10399	39Ω 2% 0,25W



5200	4822 157 62824	7,5µH
5201	4822 157 62824	7,5µH
5202	4822 157 60122	4,7µH 10%



6258	4822 130 80905	LLZ-F5V1
------	----------------	----------



7226	5322 130 41983	BC858B
7228	5322 130 41982	BC848B
7262	5322 130 41983	BC858B
7263	5322 130 41982	BC848B
7264	4822 130 42353	BFS19
7266	5322 130 42136	BC848C
7267	4822 130 42513	BC858C
7274	5322 130 42136	BC848C
7275	4822 130 42513	BC858C
7276	5322 130 41983	BC858B
7277	5322 130 41982	BC848B
7278	5322 130 41982	BC848B

For Service Manuals Contact
MAURITRON TECHNICAL SERVICES
 8 Cherry Tree Rd, Chinnor
 Oxon OX9 4QY
Tel:- 01844-351694 Fax:- 01844-352554
Email:- enquiries@mauritron.co.uk